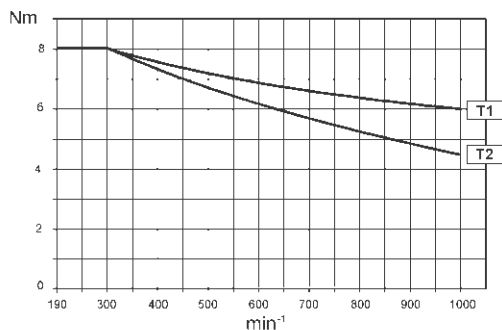


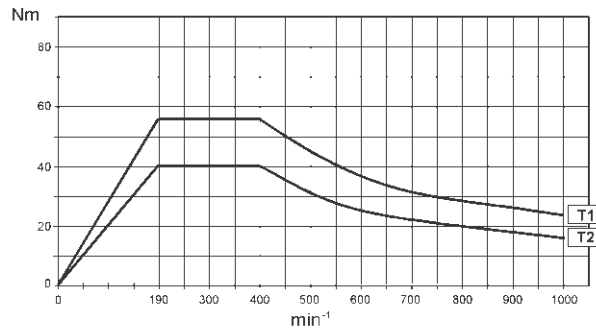
(C08)

$n_1 = 1400$

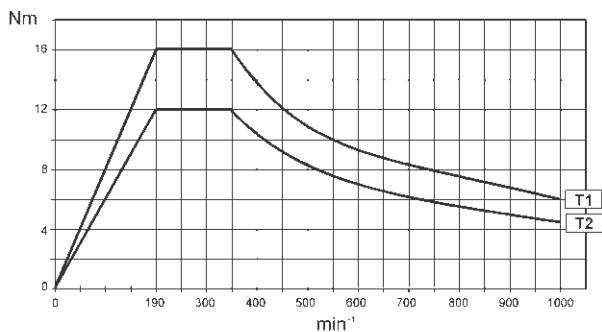
V 0.5_P80		T1	T2
	$M_2=$	6.0 - 8.0 Nm	4.5 - 8.0 Nm
	$P_1=$	0.75 kW	0.55 kW
$n_1 = 1400 \text{ min}^{-1}$			



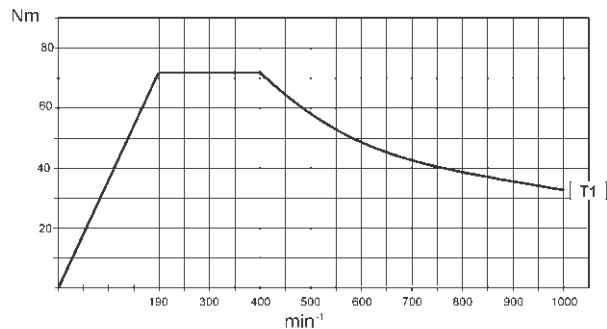
V 3_P100		T1	T2
	$M_2=$	24 - 56 Nm	16.0 - 40 Nm
	$P_1=$	3.0 kW	2.2 kW
$n_1 = 1400 \text{ min}^{-1}$			



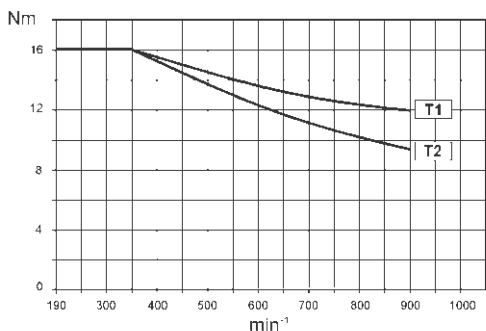
V 1_P80		T1	T2
	$M_2=$	6.0 - 16.0 Nm	4.5 - 12.0 Nm
	$P_1=$	0.75 kW	0.55 kW
$n_1 = 1400 \text{ min}^{-1}$			



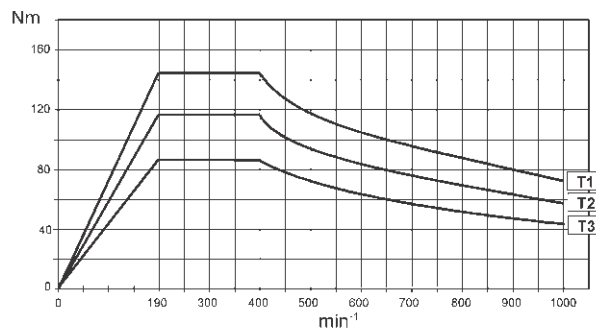
V 5.5_P112		T1
	$M_2=$	32 - 72 Nm
	$P_1=$	4.0 kW
$n_1 = 1400 \text{ min}^{-1}$		



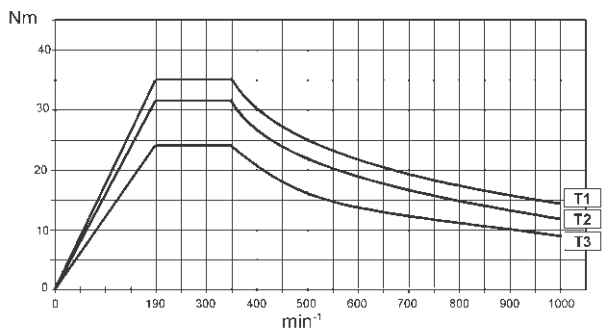
V 1_P90		T1	T2
	$M_2=$	12.0 - 16.0 Nm	9.1 - 16.0 Nm
	$P_1=$	1.1 kW	1.1 kW
$n_1 = 1400 \text{ min}^{-1}$			

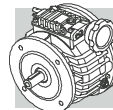


V 10_P132		T1	T2	T3
	$M_2=$	72 - 144 Nm	58 - 116 Nm	43 - 86 Nm
	$P_1=$	9.2 kW	7.5 kW	5.5 kW
$n_1 = 1400 \text{ min}^{-1}$				



V 2_P90		T1	T2	T3
	$M_2=$	14.0 - 35 Nm	12.0 - 32 Nm	9.0 - 24 Nm
	$P_1=$	1.8 kW	1.5 kW	1.1 kW
$n_1 = 1400 \text{ min}^{-1}$				

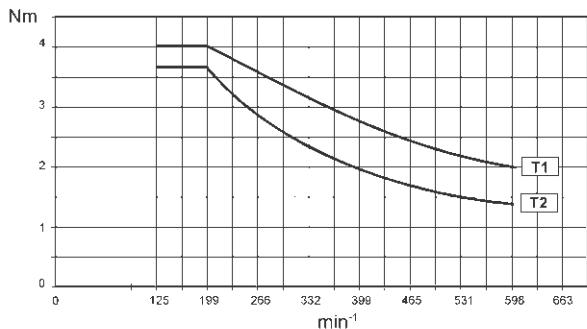




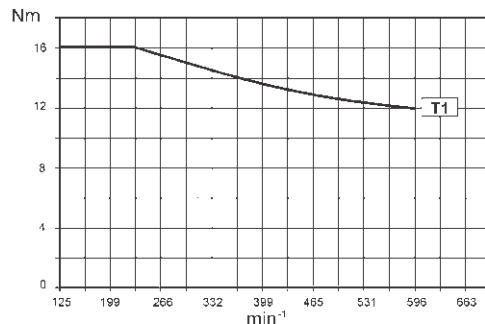
(C09)

$n_1 = 900$

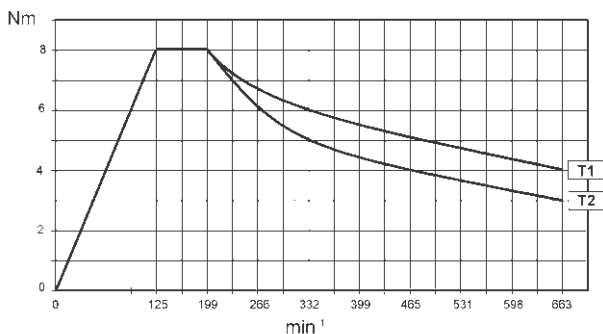
V 0.25_P63		T1	T2
	M ₂	2.0 - 4.0 Nm	1.4 - 3.7 Nm
$n_1 = 900 \text{ min}^{-1}$	P ₁	0.18 kW	0.12 kW



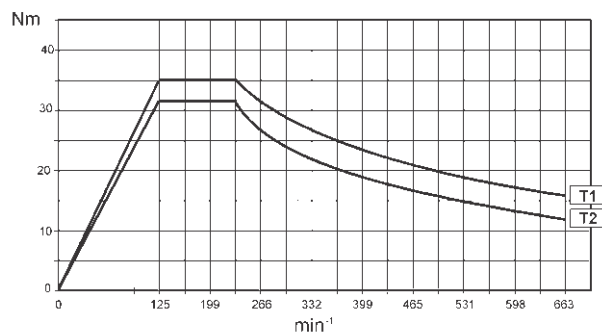
V 1_P90		T1	
	M ₂	12.0 - 16.0 Nm	
$n_1 = 900 \text{ min}^{-1}$	P ₁	1.1 kW	



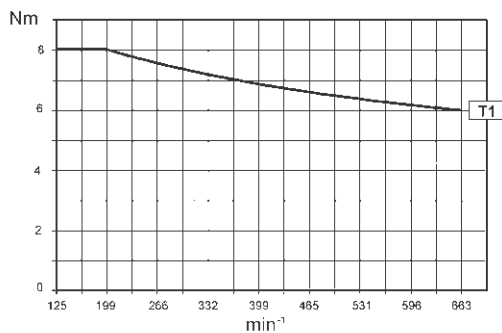
V 0.5_P71		T1	T2
	M ₂	4.0 - 8.0 Nm	3.0 - 8.0 Nm
$n_1 = 900 \text{ min}^{-1}$	P ₁	0.37 kW	0.25 kW



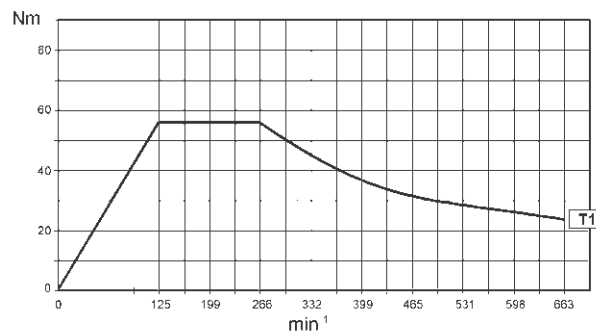
V 2_P90		T1	T2
	M ₂	16.0 - 35 Nm	12.0 - 32 Nm
$n_1 = 900 \text{ min}^{-1}$	P ₁	1.5 kW	1.1 kW



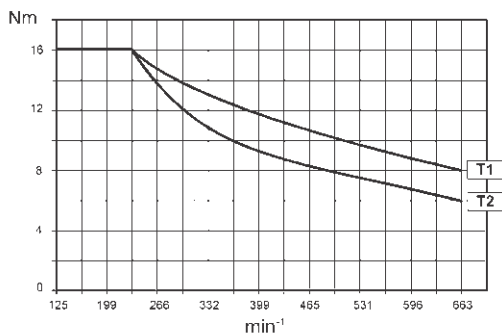
V 0.5_P80		T1	
	M ₂	6.0 - 8.0 Nm	
$n_1 = 900 \text{ min}^{-1}$	P ₁	0.55 kW	



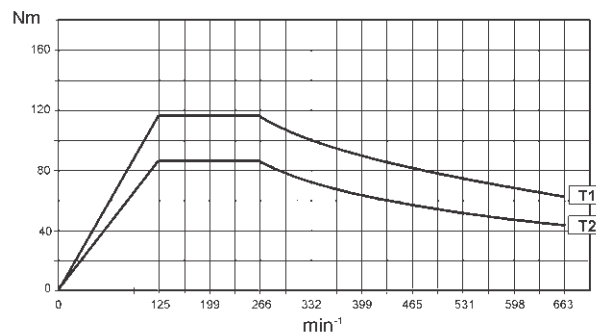
V 3_P112		T1	
	M ₂	24 - 56 Nm	
$n_1 = 900 \text{ min}^{-1}$	P ₁	2.2 kW	

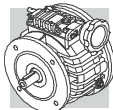


V 1_P80		T1	T2
	M ₂	8.0 - 16.0 Nm	6.0 - 16.0 Nm
$n_1 = 900 \text{ min}^{-1}$	P ₁	0.75 kW	0.55 kW






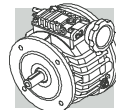
V 10_P132		T1	T2
	M ₂	63 - 116 Nm	43 - 86 Nm
$n_1 = 900 \text{ min}^{-1}$	P ₁	5.5 kW	4.0 kW





VR_

P ₁ (kW)	n ₂	n ₂ '	M ₂	M ₂ '	R _{n1}	R _{n2}	R _{n2} '	i			
	min ⁻¹	min ⁻¹	Nm	Nm	N	N	N				
0.12	96	19.8	8.6	22	400	1550	2600	6.3	VR 0.25_P63	BN63B6	54-55
	156	32	5.3	13.6	400	1300	2200	3.9	VR 0.25_P63	BN63B6	54-55
	244	50	3.4	8.7	400	1150	1900	2.5	VR 0.25_P63	BN63B6	54-55
0.18	96	19.8	12.3	24	400	1500	2600	6.3	VR 0.25_P63	BN71A6R	54-55
	144	30.2	9.3	24	350	1350	2250	6.3	VR 0.25_P63	BN63B4	54-55
	156	49	5.7	14.7	350	1300	1900	3.9	VR 0.25_P63	BN63B4	54-55
	235	32	7.6	14.7	400	1100	2200	3.9	VR 0.25_P63	BN71A6R	54-55
	244	50	4.9	9.4	400	1000	1900	2.5	VR 0.25_P63	BN71A6R	54-55
	367	77	3.6	9.4	350	950	1650	2.5	VR 0.25_P63	BN63B4	54-55
0.25	105	19.8	18.5	40	430	1500	2550	6.3	VR 0.5_P71	BN71B6	58-59
	144	30.2	11.1	24	350	1350	2250	6.3	VR 0.25_P63	BN63C4	54-55
	159	30	12.3	30	370	1300	2250	6.3	VR 0.5_P71	BN71A4	58-59
	171	32	11.4	29	430	1250	2200	3.9	VR 0.5_P71	BN71B6	58-59
	235	49	6.8	14.7	350	1150	1900	3.9	VR 0.25_P63	BN63C4	54-55
	258	49	7.6	18.4	370	1100	1900	3.9	VR 0.5_P71	BN71A4	58-59
	267	50	7.3	18.8	430	1100	1900	2.5	VR 0.5_P71	BN71B6	58-59
	289	60	6.2	15.6	300	1000	1800	6.3	VR 0.25_P63	BN63B2	54-55
	367	77	4.4	9.4	350	950	1650	2.5	VR 0.25_P63	BN63C4	54-55
	403	77	4.9	11.8	370	950	1650	2.5	VR 0.5_P71	BN71A4	58-59
	470	98	3.8	9.6	300	900	1550	3.9	VR 0.25_P63	BN63B2	54-55
734	153	2.4	6.1	300	790	1300	2.5	VR 0.25_P63	BN63B2	54-55	
0.37	105	19.8	25	40	430	1450	2550	6.3	VR 0.5_P71	BN71C6	58-59
	159	30	18.5	40	370	1300	2200	6.3	VR 0.5_P71	BN71B4	58-59
	171	32	15.2	29	430	1250	2200	3.9	VR 0.5_P71	BN71C6	58-59
	258	49	11.4	29	370	1100	1900	3.9	VR 0.5_P71	BN71B4	58-59
	267	50	9.7	18.8	430	1100	1900	2.5	VR 0.5_P71	BN71C6	58-59
	289	60	9.3	24	300	1050	1800	6.3	VR 0.25_P63	BN63C2	54-55
	403	77	7.3	18.8	370	950	1650	2.5	VR 0.5_P71	BN71B4	58-59
	470	98	5.7	14.7	300	900	1500	3.9	VR 0.25_P63	BN63C2	54-55
734	153	3.6	9.4	300	800	1300	2.5	VR 0.25_P63	BN63C2	54-55	
0.55	103	19.5	38	70	750	1350	2300	6.4	VR 1_P80	BN80B6	62-63
	156	29.6	28	65	650	1150	1970	6.4	VR 1_P80	BN80A4	62-63
	168	32	23	60	750	1150	1950	3.9	VR 1_P80	BN80B6	62-63
	254	48	17.4	45	650	1000	1700	3.9	VR 1_P80	BN80A4	62-63
	274	52	14.2	37	750	990	1650	2.4	VR 1_P80	BN80B6	62-63
	317	60	12.3	30	520	1000	1750	6.3	VR 0.5_P71	BN71B2	58-59
	413	79	10.7	28	650	850	1450	2.4	VR 1_P80	BN80A4	62-63
	517	98	7.6	18.4	520	900	1500	3.9	VR 0.5_P71	BN71B2	58-59
	806	153	4.9	11.8	520	750	1300	2.5	VR 0.5_P71	BN71B2	58-59
0.75	103	19.5	50	70	750	1250	2300	6.4	VR 1_P80	BN80C6	62-63
	156	29.6	28	65	650	1150	1970	6.4	VR 1_P80	BN80B4	62-63
	168	32	23	60	750	1150	1950	3.9	VR 1_P80	BN80C6	62-63
	254	48	23	60	650	990	1650	3.9	VR 1_P80	BN80B4	62-63
	274	52	19.0	37	750	980	1650	2.4	VR 1_P80	BN80C6	62-63
	317	60	18.5	40	520	1000	1750	6.3	VR 0.5_P71	BN71C2	58-59
	413	78	14.2	37	650	870	1450	2.4	VR 1_P80	BN80B4	62-63
	517	98	11.4	29	520	850	1500	3.9	VR 0.5_P71	BN71C2	58-59
	806	153	7.3	18.8	520	780	1300	2.5	VR 0.5_P71	BN71C2	58-59
1.1	101	19.0	77	150	1240	2600	4300	6.6	VR 2_P90	BN90L6	66-67
	152	28.9	58	140	1080	2400	3600	6.6	VR 2_P90	BN90S4	66-67
	163	31	48	123	1240	2300	3700	4.1	VR 2_P90	BN90L6	66-67
	246	47	36	93	1080	2000	3400	4.1	VR 2_P90	BN90S4	66-67
	280	53	28	72	1240	1950	3400	2.4	VR 2_P90	BN90L6	66-67
	312	59	28	60	870	900	1500	6.4	VR 1_P80	BN80B2	62-63
	422	80	21	54	1080	1950	2950	2.4	VR 2_P90	BN90S4	66-67
	508	96	17.4	45	870	800	1300	3.9	VR 1_P80	BN80B2	62-63
	826	157	10.7	28	870	680	1150	2.4	VR 1_P80	BN80B2	62-63
	1.5	101	19.0	103	150	1240	2300	4300	6.6	VR 2_P90	BN100LA6R
152		28.9	77	140	1080	2150	3600	6.6	VR 2_P90	BN90LA4	66-67
163		31	64	135	1240	2200	3400	4.1	VR 2_P90	BN100LA6R	66-67
246		47	48	123	1080	1950	3000	4.1	VR 2_P90	BN90LA4	66-67
280		53	37	79	1240	1950	2950	2.4	VR 2_P90	BN100LA6R	66-67
312		59	38	60	870	900	1500	6.4	VR 1_P80	BN80C2	62-63
423		80	28	72	1080	1850	2850	2.4	VR 2_P90	BN90LA4	66-67
508		96	23	55	870	780	1300	3.9	VR 1_P80	BN80C2	62-63
826		157	14	37	870	680	1150	2.4	VR 1_P80	BN80C2	62-63



VR_

P ₁ (kW)	n ₂	n ₂ '	M ₂	M ₂ '	R _{n1}	R _{n2}	R _{n2} '	i		IEC		
	min ⁻¹	min ⁻¹	Nm	Nm	N	N	N					
1.8	152	28.9	90	140	1080	2000	3600	6.6	VR 2_	P90	BN90LB4	66-67
	246	47	56	120	1080	1900	3000	4.1	VR 2_	P90	BN90LB4	66-67
	422	80	33	79	1080	1700	2750	2.4	VR 2_	P90	BN90LB4	66-67
2.2	104	19.5	151	300*	—	—	—	6.4	VR 3_	P112	BN112M6	70-71
	156	29.7	100	243	—	—	—	6.4	VR 3_	P100	BN100LA4	70-71
	169	32	92	209	—	—	—	3.9	VR 3_	P112	BN112M6	70-71
	254	48	62	149	—	—	—	3.9	VR 3_	P100	BN100LA4	70-71
	281	53	56	126	—	—	—	2.4	VR 3_	P112	BN112M6	70-71
424	81	37	90	—	—	—	2.4	VR 3_	P100	BN100LA4	70-71	
3.0	156	29.7	151	280*	—	—	—	6.4	VR 3_	P1100	BN100LB4	70-71
	254	48	92	209	—	—	—	3.9	VR 3_	P100	BN100LA4	70-71
	424	81	56	126	—	—	—	2.4	VR 3_	P100	BN100LA4	70-71
4.0	105	19.8	259	504	—	—	—	6.3	VR 10_	P132	BN132MA6	78-79
	156	29.7	201	280*	—	—	—	6.4	VR 5.5_	P112	BN132M4	74-75
	163	31	166	326	—	—	—	4.1	VR 10_	P132	BN132MA6	78-79
	254	48	123	250*	—	—	—	3.9	VR 5.5_	P112	BN132M4	74-75
	280	53	97	190	—	—	—	2.4	VR 10_	P132	BN132MA6	78-79
	349	66	80	152	—	—	—	1.9	VR 10_	P132	BN132MA6	78-79
424	81	74	161	—	—	—	2.4	VR 5.5_	P112	BN132M4	74-75	
5.5	105	19.8	377	680*	—	—	—	6.3	VR 10_	P132	BN132MB6	78-79
	158	30	266	516	—	—	—	6.3	VR 10_	P132	BN132S4	78-79
	163	31	244	439	—	—	—	4.1	VR 10_	P132	BN132MB6	78-79
	246	47	166	326	—	—	—	4.1	VR 10_	P132	BN132S4	78-79
	280	53	142	256	—	—	—	2.4	VR 10_	P132	BN132MB6	78-79
	349	66	113	205	—	—	—	1.9	VR 10_	P132	BN132MB6	78-79
	422	80	97	190	—	—	—	2.4	VR 10_	P132	BN132S4	78-79
526	100	80	152	—	—	—	1.9	VR 10_	P132	BN132S4	78-79	
7.5	158	30	348	680*	—	—	—	6.3	VR 10_	P132	BN132MA4	78-79
	246	47	224	439	—	—	—	4.1	VR 10_	P132	BN132MA4	78-79
	422	80	131	256	—	—	—	2.4	VR 10_	P132	BN132MA4	78-79
	526	100	105	205	—	—	—	1.9	VR 10_	P132	BN132MA4	78-79
9.2	158	30	431	680*	—	—	—	6.3	VR 10_	P132	BN132MB4	78-79
	246	47	278	540*	—	—	—	4.1	VR 10_	P132	BN132MB4	78-79
	422	80	162	317	—	—	—	2.4	VR 10_	P132	BN132MB4	78-79
	526	100	130	254	—	—	—	1.9	VR 10_	P132	BN132MB4	78-79

* Coppia massima ammissibile

* Max. torque transmissible

* Max. Drehmoment

* Couple maxi transmissible

NB.
I carichi radiali in entrata al variatore (ingresso HS) R_{n1} e e i carichi in uscita R_{n2} indicati in tabella sono da considerare applicati sulla mezzeria dell'albero. Per carichi la cui linea d'azione non coincide con la mezzeria dell'albero in esame, effettuare le verifiche riportate a pag. 10.

NOTE.
Radial loads applied at variator input (HS input) R_{n1} and output loads R_{n2} indicated in the table are referred to mid-point of shaft. Where loads are applied at any other position of shaft, follow procedure detailed on page 10 to verify compatibility.

HINWEIS:
elle angegebenen Radialkräfte am Antrieb des Verstellgetriebes (Antrieb HS) R_{n1} und die Lasten im Abtrieb R_{n2} sind als auf die Wellenmitte applizierte Kräfte zu kalkulieren. Für Kräfte, deren Wirkungslinie nicht mit der Mitte der zur Frage stehenden Welle übereinstimmt, sind die auf Seite 10 angeführten Kontrollen vorzunehmen.

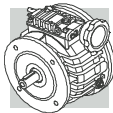
NB.
Il faut considérer les charges radiales en entrée sur le variateur (entrée HS) R_{n1} et les charges en sortie R_{n2} indiquées sur le tableau comme appliquées au milieu de l'arbre. Pour les charges dont la ligne d'action ne coïncide pas avec le milieu de l'arbre concerné, effectuer les vérifications indiquées à page 10.

AVVERTENZA: Si sconsiglia l'utilizzo del variatore con velocità in ingresso inferiori a 300 min⁻¹.




WARNING: The use of variator with input speeds lower than 300 rpm is NOT recommended.

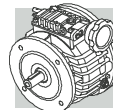
HINWEIS: Von einem Einsatz des Verstellgetriebes mit einer Antriebsgeschwindigkeit unter 300 min⁻¹ wird abgeraten.

N.B. : Il n'est pas conseillé d'utiliser le variateur avec une vitesse en entrée inférieure à 300 min⁻¹.






VRD_

P ₁ (kW)	n ₂	n ₂ lim	n ₂ '	M ₂	M _{2max}	R _{n1}	R _{n2}	R _{n2max}	i			
	min ⁻¹	min ⁻¹	min ⁻¹	Nm	Nm	N	N	N				
0.25	105	19.8	0	18.5	40	430	1500	2550	6.3	VRD 0.5_ P71	BN71B6	82-83
	159	30	0	12.3	30	370	1300	2250	6.3	VRD 0.5_ P71	BN71A4	82-83
	171	32	0	11.4	29	430	1250	2200	3.9	VRD 0.5_ P71	BN71B6	82-83
	258	49	0	7.6	18.4	370	1100	1900	3.9	VRD 0.5_ P71	BN71A4	82-83
	267	50	0	7.3	18.8	430	1100	1900	2.5	VRD 0.5_ P71	BN71B6	82-83
	289	60	0	6.2	15.6	300	1000	1800	6.3	VRD 0.25_ P63	BN63B2	82-83
	403	77	0	4.9	11.8	370	950	1650	2.5	VRD 0.5_ P71	BN71A4	82-83
	470	98	0	3.8	9.6	300	900	1550	3.9	VRD 0.25_ P63	BN63B2	82-83
734	153	0	2.4	6.1	300	790	1300	2.5	VRD 0.25_ P63	BN63B2	82-83	
0.37	105	19.8	0	25	40	430	1450	2550	6.3	VRD 0.5_ P71	BN71C6	82-83
	159	30	0	18.5	40	370	1300	2200	6.3	VRD 0.5_ P71	BN71B4	82-83
	171	32	0	15.2	29	430	1250	2200	3.9	VRD 0.5_ P71	BN71C6	82-83
	258	49	0	11.4	29	370	1100	1900	3.9	VRD 0.5_ P71	BN71B4	82-83
	267	50	0	9.7	18.8	430	1100	1900	2.5	VRD 0.5_ P71	BN71C6	82-83
	289	60	0	9.3	24	300	1050	1800	6.3	VRD 0.25_ P63	BN63C2	82-83
	403	77	0	7.3	18.8	370	950	1650	2.5	VRD 0.5_ P71	BN71B4	82-83
	470	98	0	5.7	14.7	300	900	1500	3.9	VRD 0.25_ P63	BN63C2	82-83
734	153	0	3.6	9.4	300	800	1300	2.5	VRD 0.25_ P63	BN63C2	82-83	
0.55	103	19.5	0	38	70	750	1350	2300	6.4	VRD 1_ P80	BN80B6	82-83
	156	29.6	0	28	65	650	1150	1970	6.4	VRD 1_ P80	BN80A4	82-83
	168	32	0	23	60	750	1150	1950	3.9	VRD 1_ P80	BN80B6	82-83
	254	48	0	17.4	45	650	1000	1700	3.9	VRD 1_ P80	BN80A4	82-83
	274	52	0	14.2	37	750	990	1650	2.4	VRD 1_ P80	BN80B6	82-83
	317	60	0	12.3	30	520	1000	1750	6.3	VRD 0.5_ P71	BN71B2	82-83
	413	79	0	10.7	28	650	850	1450	2.4	VRD 1_ P80	BN80A4	82-83
	517	98	0	7.6	18.4	520	900	1500	3.9	VRD 0.5_ P71	BN71B2	82-83
806	153	0	4.9	11.8	520	750	1300	2.5	VRD 0.5_ P71	BN71B2	82-83	
0.75	103	19.5	0	50	70	750	1250	2300	6.4	VRD 1_ P80	BN80C6	82-83
	156	29.6	0	28	65	650	1150	1970	6.4	VRD 1_ P80	BN80B4	82-83
	168	32	0	23	60	750	1150	1950	3.9	VRD 1_ P80	BN80C6	82-83
	254	48	0	23	60	650	990	1650	3.9	VRD 1_ P80	BN80B4	82-83
	274	52	0	19.0	37	750	980	1650	2.4	VRD 1_ P80	BN80C6	82-83
	317	60	0	18.5	40	520	1000	1750	6.3	VRD 0.5_ P71	BN71C2	82-83
	413	78	0	14.2	37	650	870	1450	2.4	VRD 1_ P80	BN80B4	82-83
	517	98	0	11.4	29	520	850	1500	3.9	VRD 0.5_ P71	BN71C2	82-83
806	153	0	7.3	18.8	520	780	1300	2.5	VRD 0.5_ P71	BN71C2	82-83	
1.1	101	19.0	0	77	150	1240	2600	4300	6.6	VRD 2_ P90	BN90L6	82-83
	152	28.9	0	58	140	1080	2400	3600	6.6	VRD 2_ P90	BN90S4	82-83
	163	31	0	48	123	1240	2300	3700	4.1	VRD 2_ P90	BN90L6	82-83
	246	47	0	36	93	1080	2000	3400	4.1	VRD 2_ P90	BN90S4	82-83
	280	53	0	28	72	1240	1950	3400	2.4	VRD 2_ P90	BN90L6	82-83
	312	59	0	28	60	870	900	1500	6.4	VRD 1_ P80	BN80B2	82-83
	422	80	0	21	54	1080	1950	2950	2.4	VRD 2_ P90	BN90S4	82-83
	508	96	0	17.4	45	870	800	1300	3.9	VRD 1_ P80	BN80B2	82-83
826	157	0	10.7	28	870	680	1150	2.4	VRD 1_ P80	BN80B2	82-83	
1.5	101	19.0	0	103	150	1240	2300	4300	6.6	VRD 2_ P90	BN100LA6R	82-83
	152	28.9	0	77	140	1080	2150	3600	6.6	VRD 2_ P90	BN90LA4	82-83
	163	31	0	64	135	1240	2200	3400	4.1	VRD 2_ P90	BN100LA6R	82-83
	246	47	0	48	123	1080	1950	3000	4.1	VRD 2_ P90	BN90LA4	82-83
	280	53	0	37	79	1240	1950	2950	2.4	VRD 2_ P90	BN100LA6R	82-83
	312	59	0	38	60	870	900	1500	6.4	VRD 1_ P80	BN80C2	82-83
	423	80	0	28	72	1080	1850	2850	2.4	VRD 2_ P90	BN90LA4	82-83
	508	96	0	23	55	870	780	1300	3.9	VRD 1_ P80	BN80C2	82-83
826	157	0	14	37	870	680	1150	2.4	VRD 1_ P80	BN80C2	82-83	
1.8	152	28.9	0	90	140	1080	2000	3600	6.6	VRD 2_ P90	BN90LB4	82-83
	246	47	0	56	120	1080	1900	3000	4.1	VRD 2_ P90	BN90LB4	82-83
	422	80	0	33	79	1080	1700	2750	2.4	VRD 2_ P90	BN90LB4	82-83
2.2	104	19.5	0	151	300*	—	—	—	6.4	VRD 3_ P112	BN112M6	82-83
	156	29.7	0	100	243	—	—	—	6.4	VRD 3_ P100	BN100LA4	82-83
	169	32	0	92	209	—	—	—	3.9	VRD 3_ P112	BN112M6	82-83
	254	48	0	62	149	—	—	—	3.9	VRD 3_ P100	BN100LA4	82-83
	281	53	0	56	126	—	—	—	2.4	VRD 3_ P112	BN112M6	82-83
	424	81	0	37	90	—	—	—	2.4	VRD 3_ P100	BN100LA4	82-83
3.0	156	29.7	0	151	280*	—	—	—	6.4	VRD 3_ P1100	BN100LB4	82-83
	254	48	0	92	209	—	—	—	3.9	VRD 3_ P100	BN100LA4	82-83
	424	81	0	56	126	—	—	—	2.4	VRD 3_ P100	BN100LA4	82-83



VRD_

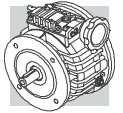
P ₁ (kW)	n ₂	n ₂ lim	n ₂ '	M ₂	M _{2max}	R _{n1}	R _{n2}	R _{n2max}	i		IEC 		
	min ⁻¹	min ⁻¹	min ⁻¹	Nm	Nm	N	N	N					
4.0	105	19.8	0	259	504	—	—	—	6.3	VRD 10_	P132	BN132MA6	82-83
	156	29.7	0	201	280*	—	—	—	6.4	VRD 5.5_	P112	BN132M4	82-83
	163	31	0	166	326	—	—	—	4.1	VRD 10_	P132	BN132MA6	82-83
	254	48	0	123	250*	—	—	—	3.9	VRD 5.5_	P112	BN132M4	82-83
	280	53	0	97	190	—	—	—	2.4	VRD 10_	P132	BN132MA6	82-83
	349	66	0	80	152	—	—	—	1.9	VRD 10_	P132	BN132MA6	82-83
	424	81	0	74	161	—	—	—	2.4	VRD 5.5_	P112	BN132M4	82-83
5.5	105	19.8	0	377	680*	—	—	—	6.3	VRD 10_	P132	BN132MB6	82-83
	158	30	0	266	516	—	—	—	6.3	VRD 10_	P132	BN132S4	82-83
	163	31	0	244	439	—	—	—	4.1	VRD 10_	P132	BN132MB6	82-83
	246	47	0	166	326	—	—	—	4.1	VRD 10_	P132	BN132S4	82-83
	280	53	0	142	256	—	—	—	2.4	VRD 10_	P132	BN132MB6	82-83
	349	66	0	113	205	—	—	—	1.9	VRD 10_	P132	BN132MB6	82-83
	422	80	0	97	190	—	—	—	2.4	VRD 10_	P132	BN132S4	82-83
526	100	0	80	152	—	—	—	1.9	VRD 10_	P132	BN132S4	82-83	
7.5	158	30	0	348	680*	—	—	—	6.3	VRD 10_	P132	BN132MA4	82-83
	246	47	0	224	439	—	—	—	4.1	VRD 10_	P132	BN132MA4	82-83
	422	80	0	131	256	—	—	—	2.4	VRD 10_	P132	BN132MA4	82-83
	526	100	0	105	205	—	—	—	1.9	VRD 10_	P132	BN132MA4	82-83
9.2	158	30	0	431	680*	—	—	—	6.3	VRD 10_	P132	BN132MB4	82-83
	246	47	0	278	540*	—	—	—	4.1	VRD 10_	P132	BN132MB4	82-83
	422	80	0	162	317	—	—	—	2.4	VRD 10_	P132	BN132MB4	82-83
	526	100	0	130	254	—	—	—	1.9	VRD 10_	P132	BN132MB4	82-83

* Coppia massima ammissibile

* Max. torque transmissible

* Max. Drehmoment

* Couple maxi transmissible

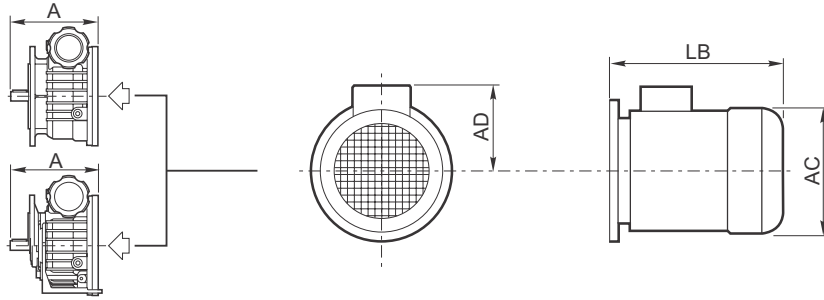


V 0.25 F_P63

V 0.25 UP_P63

V 0.25 UF_P63

V 0.25 UPF_P63



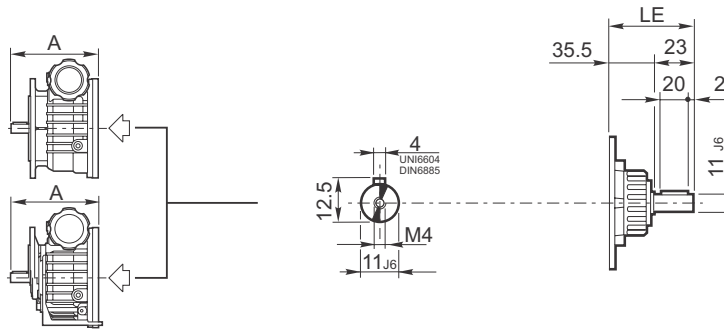
BN

V 0.25 F_

V 0.25 UP_

V 0.25 UF_

V 0.25 UPF_



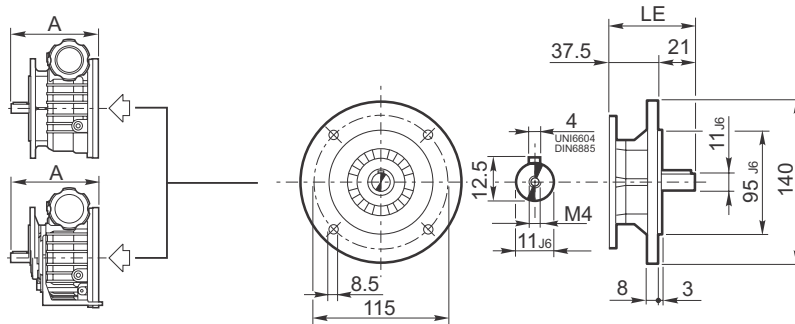
HS

V 0.25 F_

V 0.25 UP_

V 0.25 UF_

V 0.25 UPF_



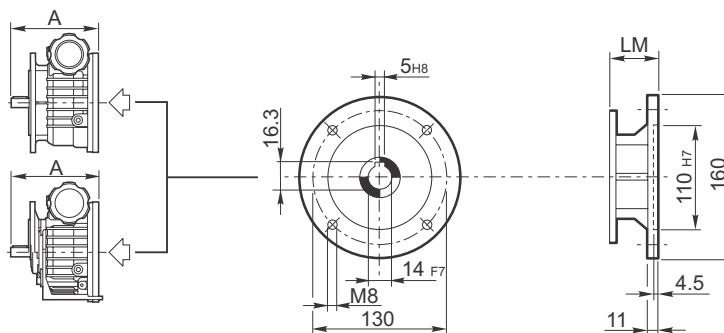
HSF

V 0.25 F_

V 0.25 UP_

V 0.25 UF_

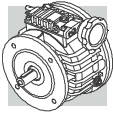
V 0.25 UPF_



G

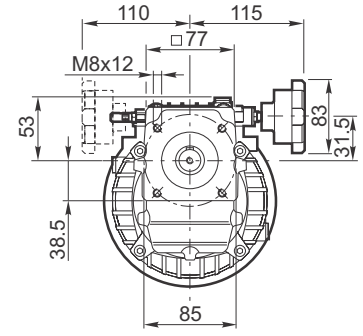
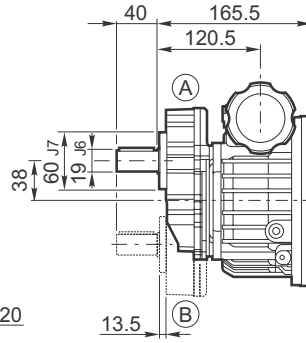
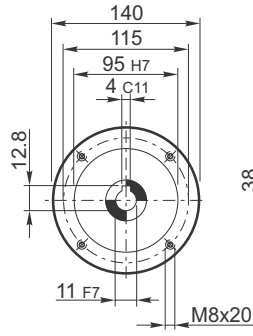
		AC	AD	LB	A+LB		Kg			
					D11	D14	F	UP	UF	UPF
V 0.25_P63	BN63_	121	95	184	315.5	322.5	8.4	8.8	8.9	9.0
	BN71_R	138	108	219	350.5	357.5	9.9	10.3	10.4	10.5

	LE	A+LE		LM	A+LM		Kg			
		D11	D14		D11	D14	F	UP	UF	UPF
V 0.25_HS	58.5	190	197	—	—	—	5.6	6.0	6.1	6.2
V 0.25_HSF	58.5	190	197	—	—	—	6.1	6.5	6.6	6.7
V 0.25_G71	—	—	—	42	173.5	180.5	6.3	6.7	6.8	6.9

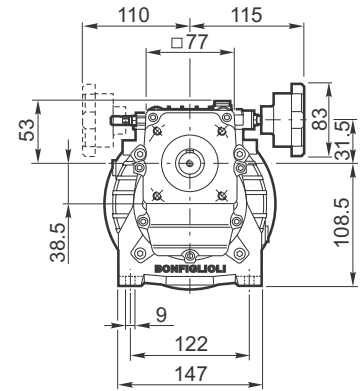
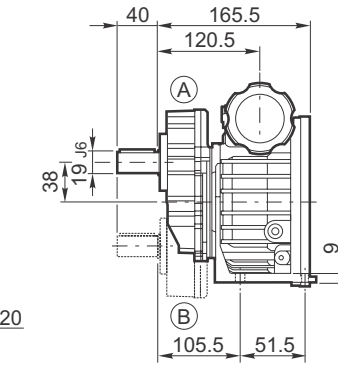
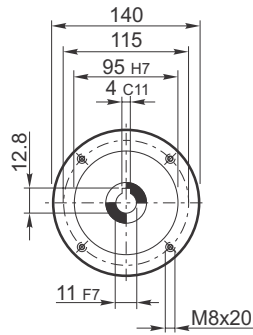


VR 0.25

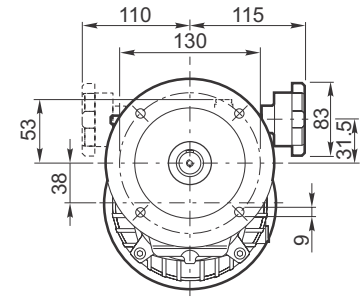
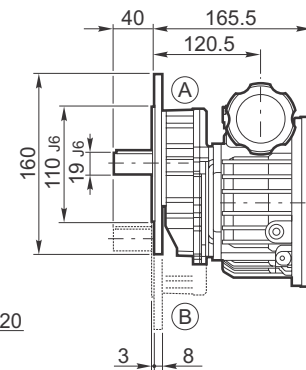
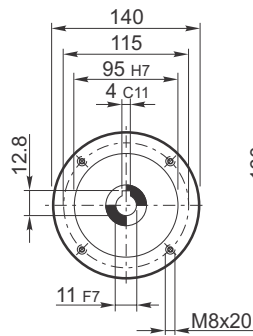
VR 0.25 U_P63



VR 0.25 P_P63



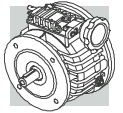
VR 0.25 F_P63



U-P-F	B j6	B1	B2	B3	B4	C	U	
VR 0.25_D11	19	21.5	6	3	35	40	M6	

	Kg		
	F	UP	UPF
VR 0.25_P63	7.8	7.0	7.7

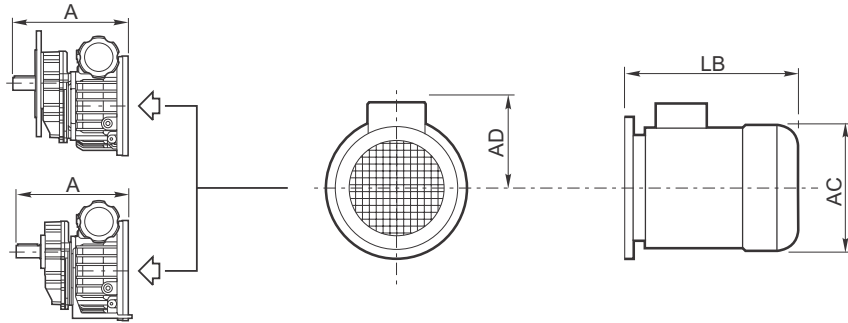
VR 0.25



VR 0.25 F_P63

VR 0.25 U_P63

VR 0.25 P_P63

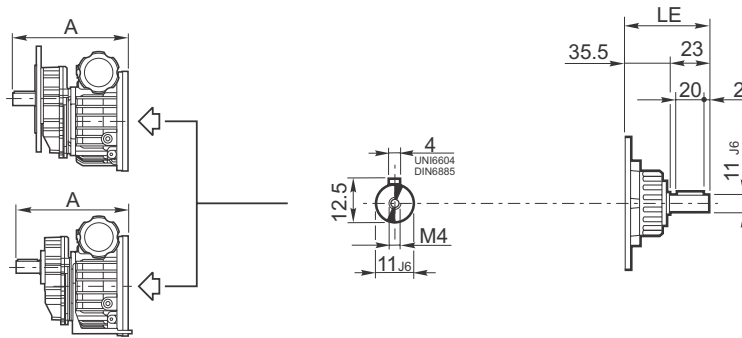


BN

VR 0.25 F_

VR 0.25 U_

VR 0.25 P_

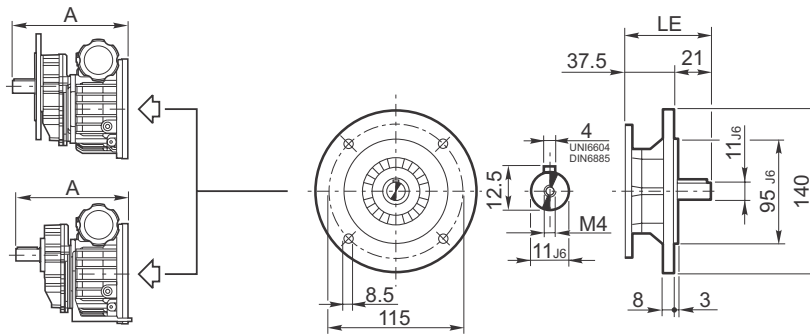


HS

VR 0.25 F_

VR 0.25 U_

VR 0.25 P_

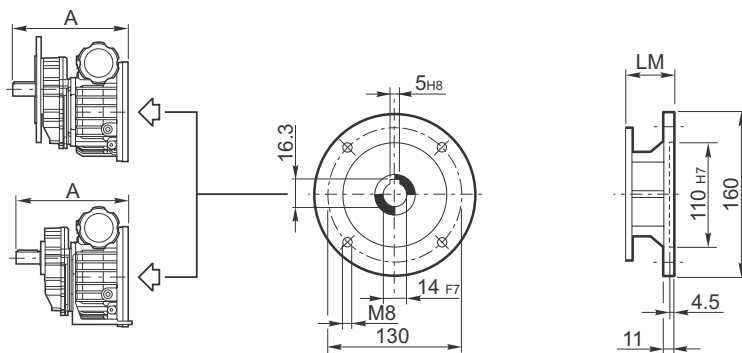


HSF

VR 0.25 F_

VR 0.25 U_

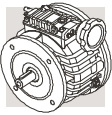
VR 0.25 P_



G

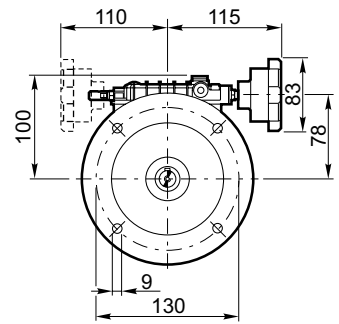
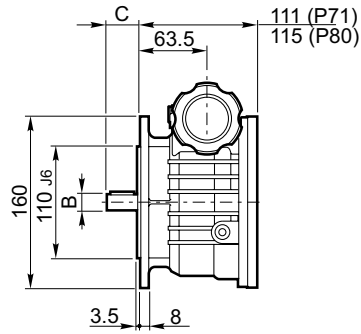
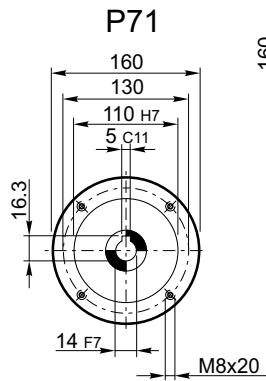
		AC	AD	LB	Kg			
					A+LB	F	U	P
VR 0.25_P63	BN63_	121	95	184	389.5	11.7	10.9	11.6
	BN71_R	138	108	219	424.5	13.2	12.4	13.1

	LE	A+LE		LM	Kg			
		D19			A+LM	F	U	P
VR 0.25_HS	58.5	264	—	—	8.9	8.1	8.8	
VR 0.25_HSF	58.5	264	—	—	9.4	8.6	9.3	
VR 0.25_G71	—	—	42	247.5	9.6	8.8	9.5	

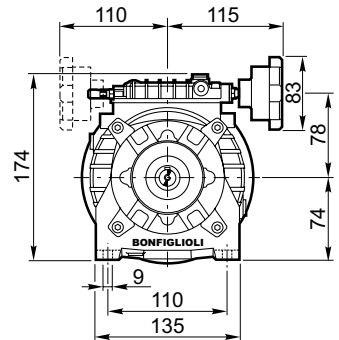
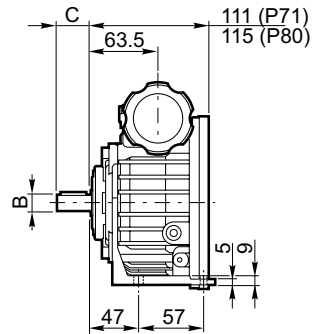


V 0.5

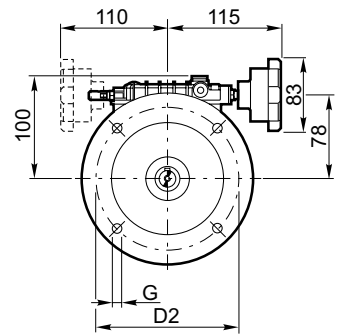
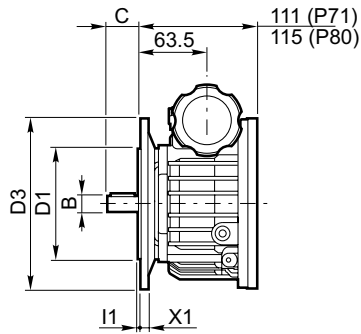
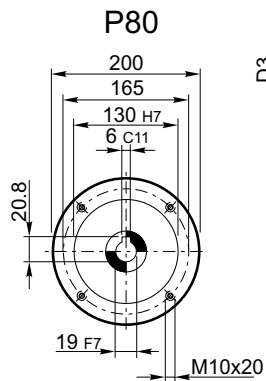
V 0.5 F_P71
V 0.5 F_P80



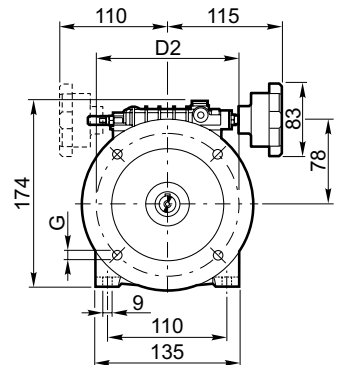
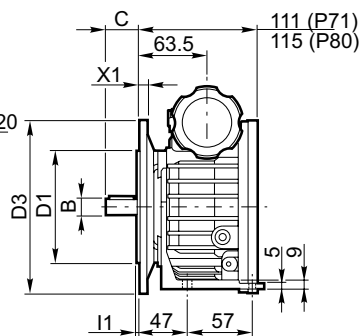
V 0.5 UP_P71



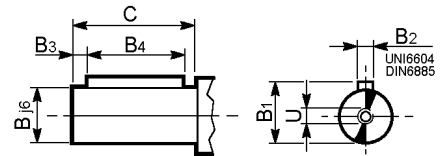
V 0.5 UF_P71
V 0.5 UF_P80



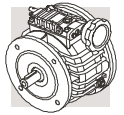
V 0.5 UPF_P71



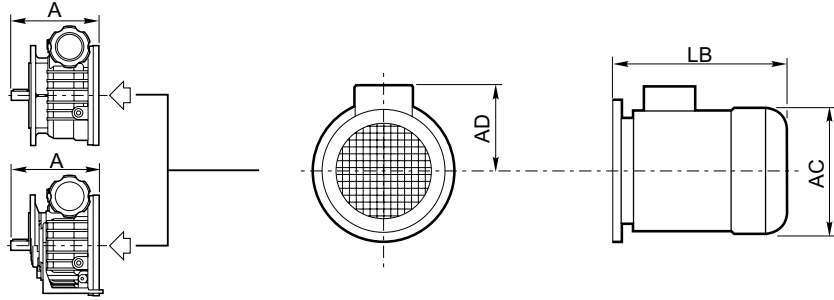
F-UP-UF-UPF	B j6	B1	B2	B3	B4	C	U
V 0.5_D14	14	16	5	2.5	25	30	M5
V 0.5_D19	19	21.5	6	5	30	40	M6



UF-UPF	D1j6	D2	D3	G	I1	X1	Kg				
							F	UP	UF	UPF	
V 0.5 UF71_	110	130	160	9	3.5	8	V 0.5_P71	7.5	8.0	8.1	8.3
V 0.5 UF80_	130	165	200	11.5	3.5	10					

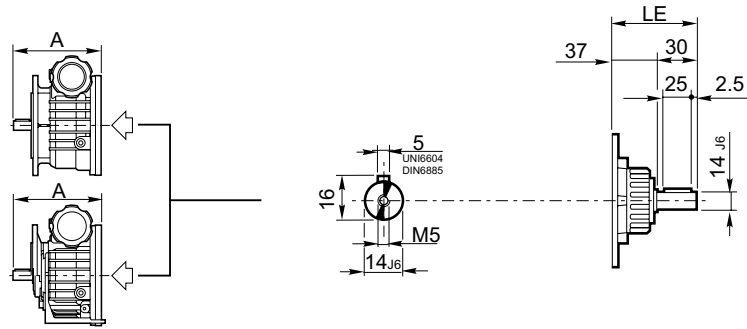


V 0.5 F_P71
V 0.5 F_P80
V 0.5 UP_P71
V 0.5 UF_P71
V 0.5 UF_P80
V 0.5 UPF_P71



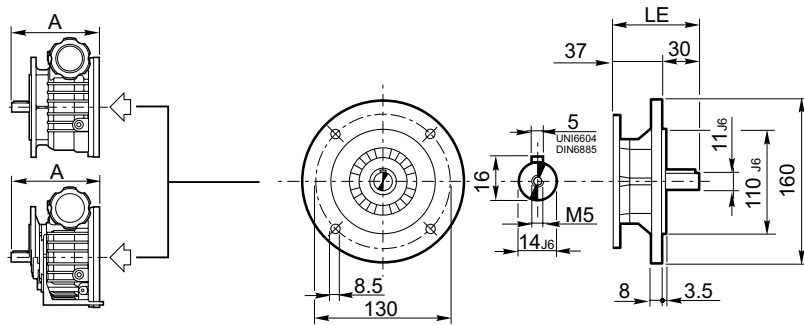
BN

V 0.5 F_
V 0.5 UP_
V 0.5 UF_
V 0.5 UPF_



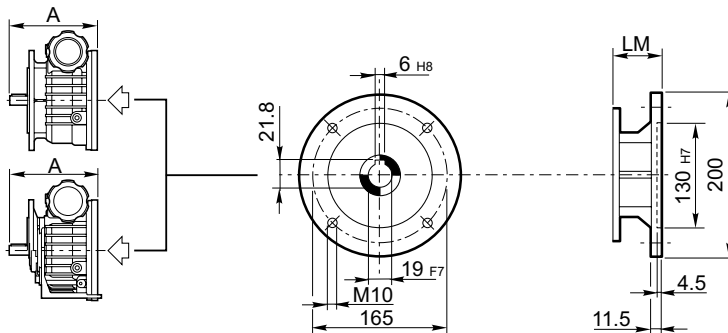
HS

V 0.5 F_
V 0.5 UP_
V 0.5 UF_
V 0.5 UPF_



HSF

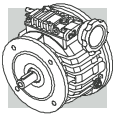
V 0.5 F_
V 0.5 UP_
V 0.5 UF_
V 0.5 UPF_



G

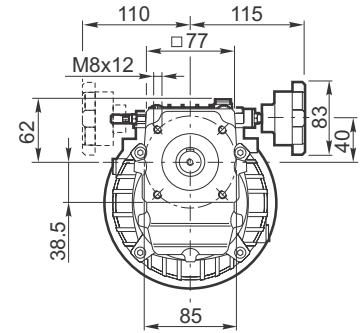
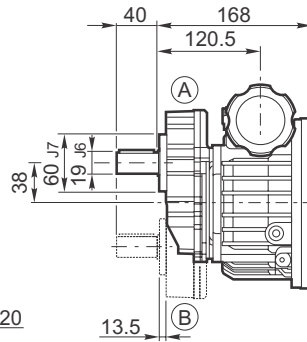
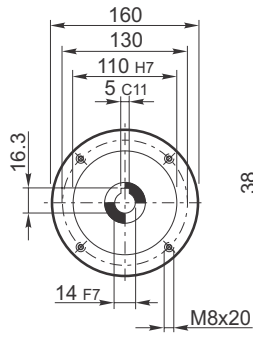
		AC	AD	LB	A+LB		Kg			
					D14	D19	F	UP	UF	UPF
V 0.5_P71	BN71_	138	108	219	360	370	13.4	13.9	14.0	14.2
V 0.5_P80	BN80_	156	119	234	379	389	17.4	—	18.0	—

	LE	A+LE		LM	A+LM		Kg			
		D14	D19		D14	D19	F	UP	UF	UPF
V 0.5_HS	67	208	218	—	—	—	9.1	9.6	9.7	9.9
V 0.5_HSF	67	208	218	—	—	—	10.0	10.5	10.6	10.8
V 0.5_G80	—	—	—	54	195	205	10.3	10.8	10.9	11.1

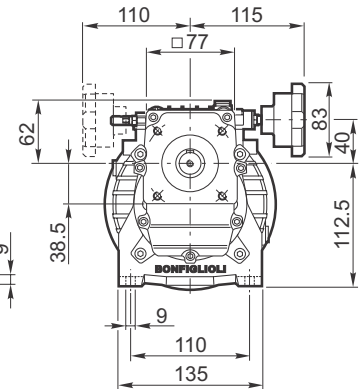
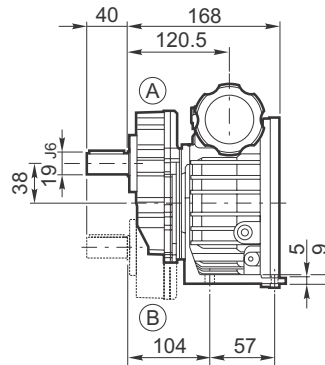
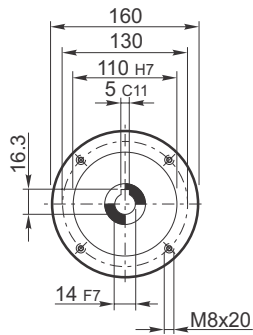


VR 0.5

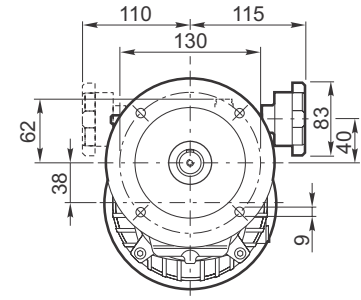
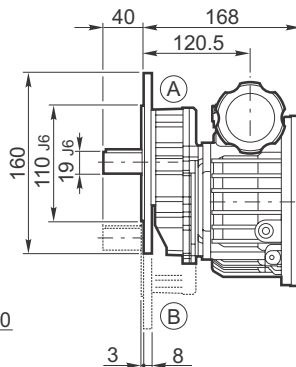
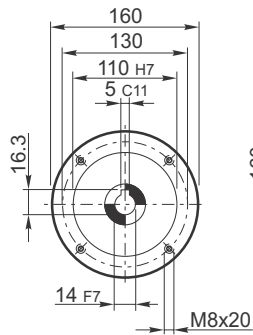
VR 0.5 U_P71



VR 0.5 P_P71



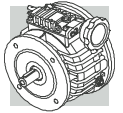
VR 0.5 F_P71



U-P-F	B j6	B1	B2	B3	B4	C	U	
VR 0.5_D14	19	21.5	6	3	35	40	M6	

	Kg		
	F	U	P
VR 0.5_P71	10.9	10.1	10.8

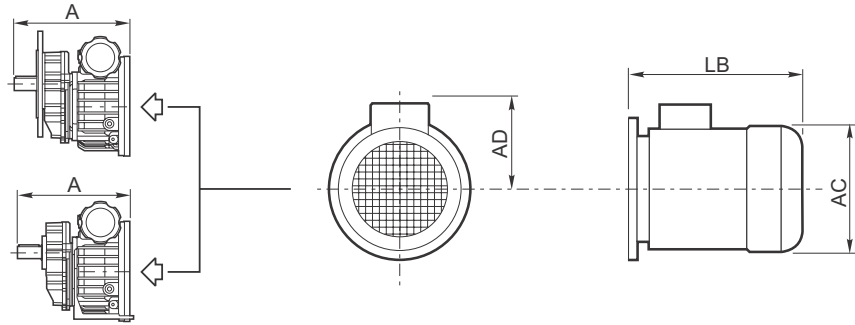
VR 0.5



VR 0.5 F_P71

VR 0.5 U_P71

VR 0.5 P_P71

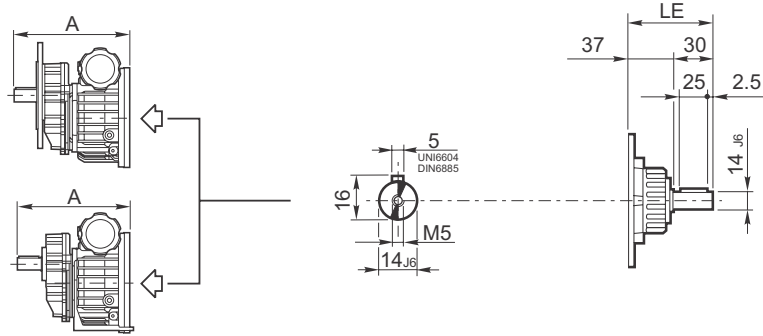


BN

VR 0.5 F_

VR 0.5 U_

VR 0.5 P_

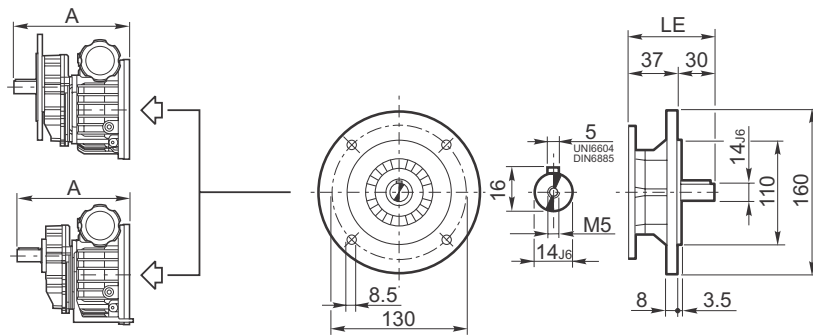


HS

VR 0.5 F_

VR 0.5 U_

VR 0.5 P_

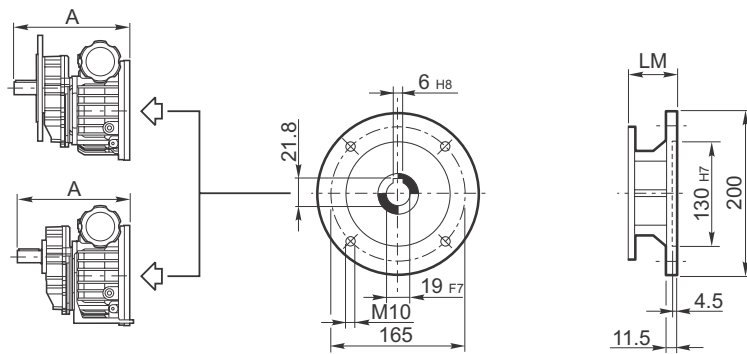


HSF

VR 0.5 F_

VR 0.5 U_

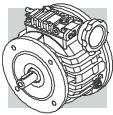
VR 0.5 P_



G

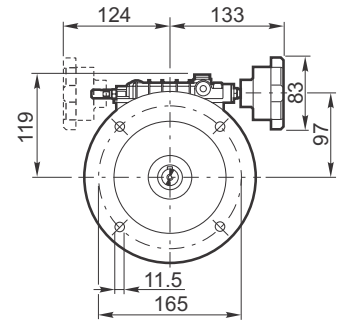
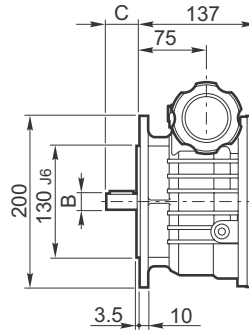
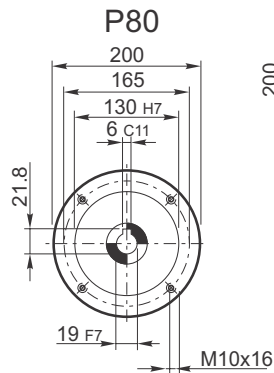
		AC	AD	LB	A+LB		Kg		
					D19	F	U	P	
VR 0.5_P71	BN71_	138	108	219	427	16.8	16	16.7	

	LE	A+LE		LM	A+LM		Kg		
		D19			D19	F	U	P	
VR 0.5_HS	67	275		—		12.5	11.7	12.4	
VR 0.5_HSF	67	275		—		13.4	12.6	13.3	
VR 0.5_G80	—	—		54	262	13.7	12.9	13.6	

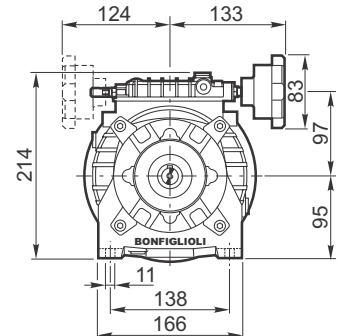
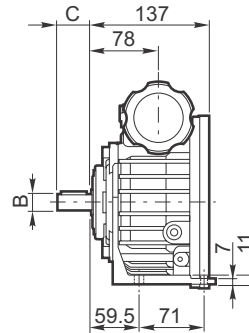


V 1

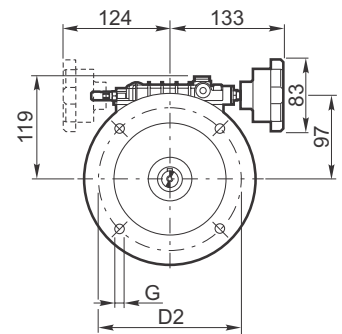
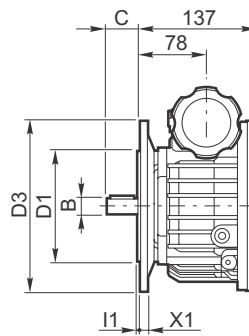
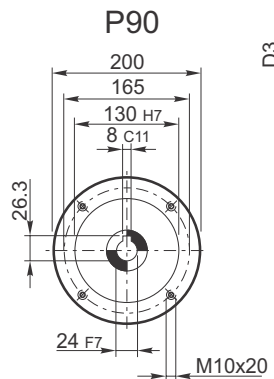
V 1 F_P80
V 1 F_P90



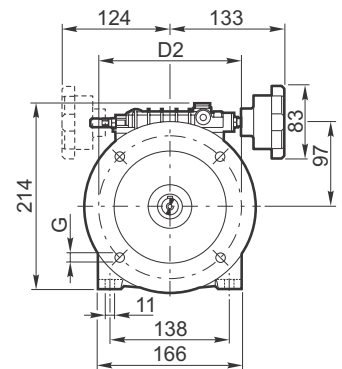
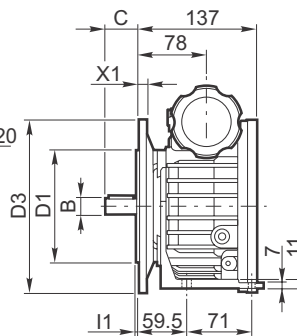
V 1 UP_P80
V 1 UP_P90



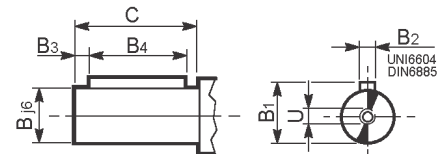
V 1 UF_P80
V 1 UF_P90



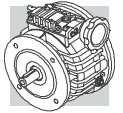
V 1 UPF_P80
V 1 UPF_P90



F-UP-UF-UPF	B j6	B1	B2	B3	B4	C	U
V 1_D19	19	21.5	6	5	30	40	M6
V 1_D24	24	27	8	5	40	50	M8

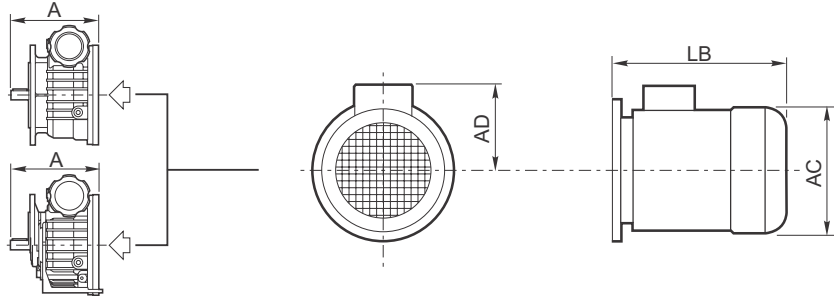


UF-UPF	D1 j6	D2	D3	G	I1	X1	Kg				
							F	UP	UF	UPF	
V 1 UF80_	130	165	200	11.5	3.5	10	V 1_P80	14.1	14.0	14.2	14.5
V 1 UF90_	130	165	200	11.5	3.5	10					



V 1 F_P80
V 1 F_P90

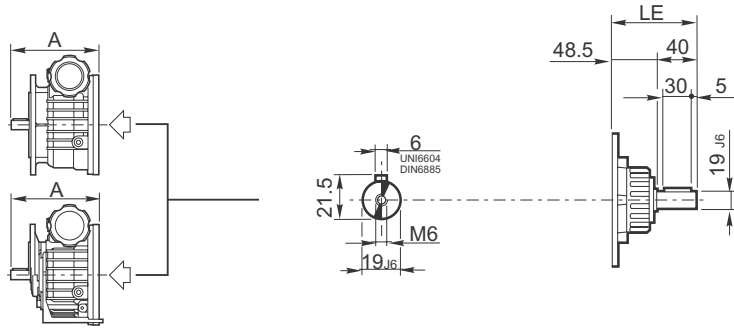
V 1 UP_P80
V 1 UF_P80
V 1 UF_P90
V 1 UPF_P80



BN

V 1 F_

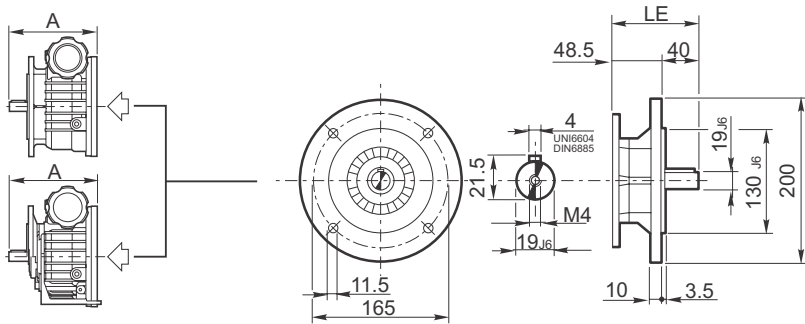
V 1 UP_
V 1 UF_
V 1 UPF_



HS

V 1 F_

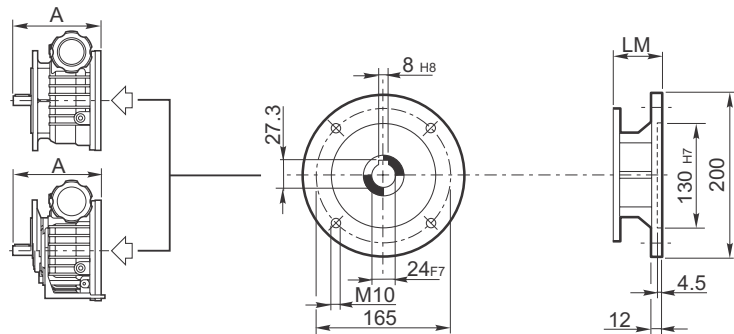
V 1 UP_
V 1 UF_
V 1 UFP_



HSF

V 1 F_

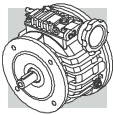
V 1 UP_
V 1 UF_
V 1 UFP_



G

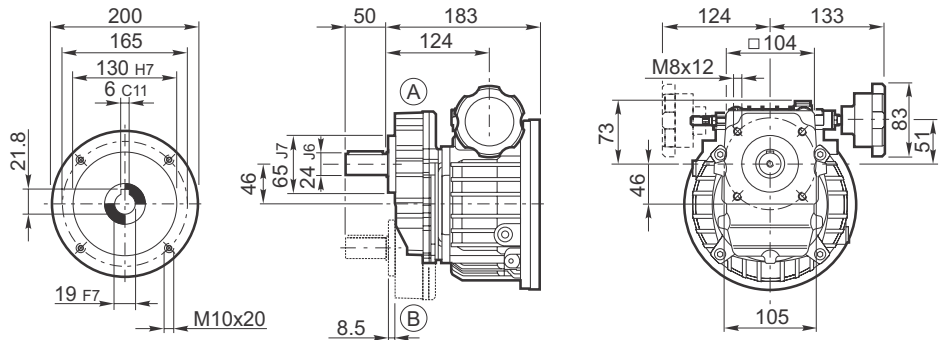
		AC	AD	LB	A+LB		Kg			
					D19	D24	F	UP	UF	UPF
V 1_P80	BN80_	156	119	234	411	421	24	24	24	24
V 1_P90	BN90S_	176	133	276	453	463	26	26	27	27
V 1_P90	BN90L_	176	133	276	453	463	26	28	27	27

	LE	A+LE		LM	A+LM		Kg			
		D19	D24		D19	D24	F	UP	UF	UPF
V 1_HS	88.5	265.5	275.5	—	—	—	16.9	16.8	17.0	17.3
V 1_HSF	88.5	265.5	275.5	—	—	—	18.6	18.5	18.7	19.0
V 1_G90	—	—	—	59	236	246	19.1	19.0	19.2	19.5

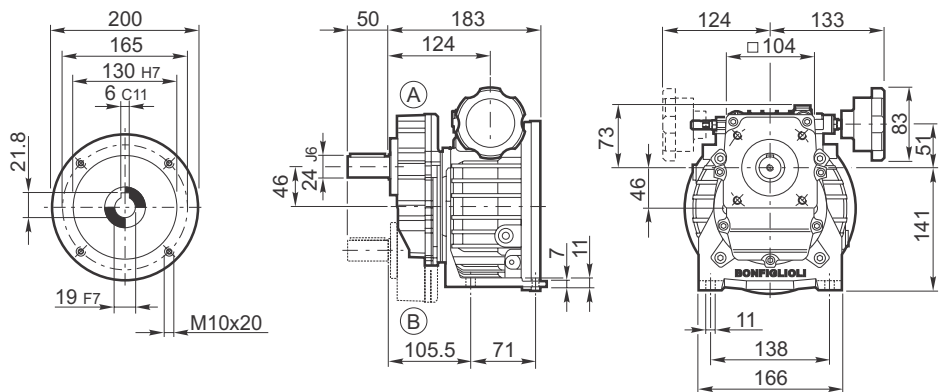


VR 1

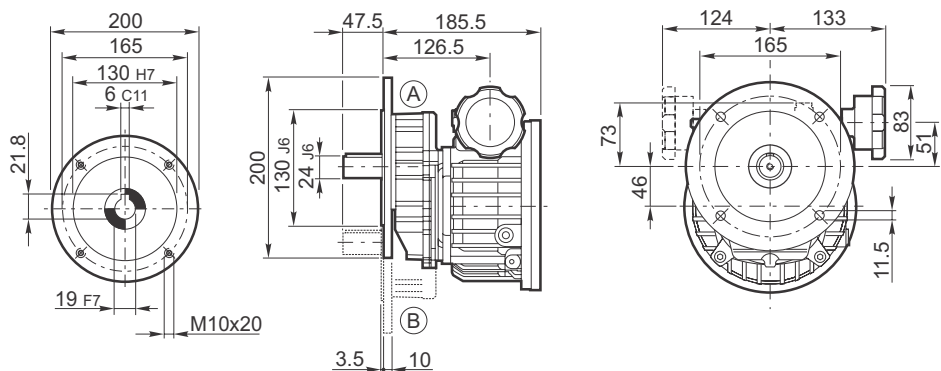
VR 1 U_P80



VR 1 P_P80



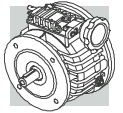
VR 1 F_P80



U-P-F	B j6	B1	B2	B3	B4	C	U	
VR 1_D24	24	27	8	3	45	50 (UP) 47.5 (F)	M8	

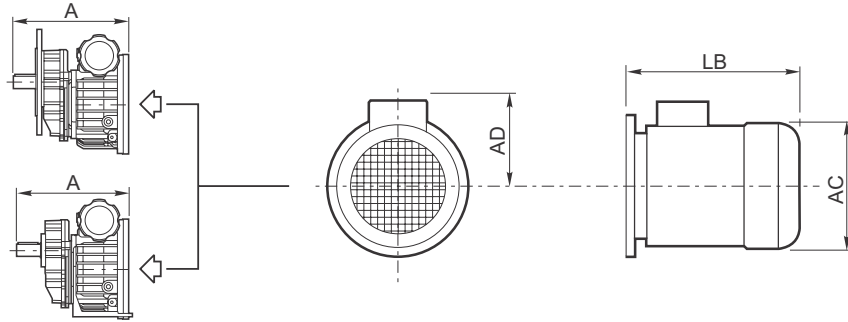
	Kg		
	F	P	P
VR 1_P80	17.7	16.2	17.5

VR 1



VR 1 F_P80

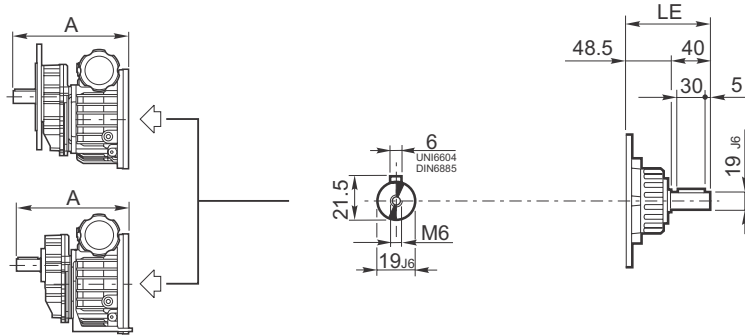
VR 1 U_P80
VR 1 P_P80



BN

VR 1 F_

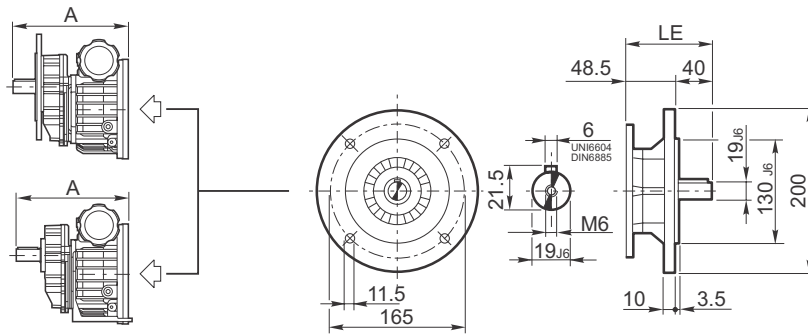
VR 1 UP_
VR 1 P_



HS

VR 1 F_

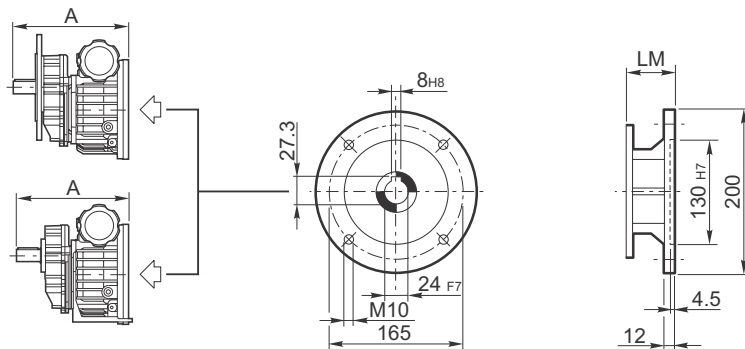
VR 1 U_
VR 1 P_



HSF

VR 1 F_

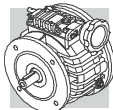
VR 1 U_
VR 1 P_



G

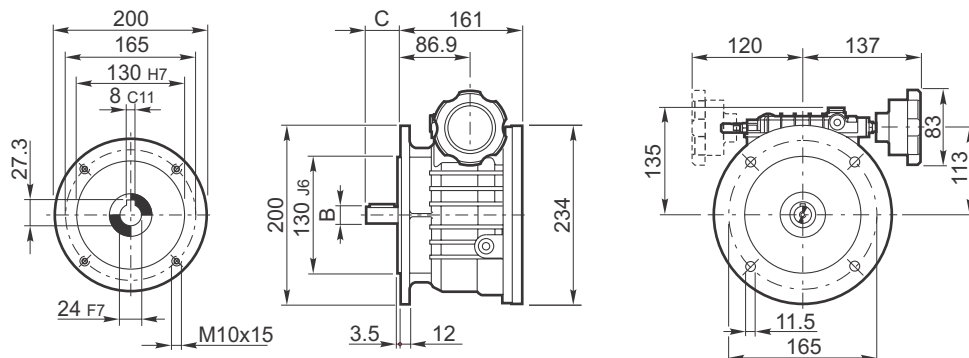
	AC	AD	LB	A+LB		Kg		
				D24	F	U	P	
VR 1_P80	BN80_	156	119	234	467	28	26	27

	LE	A+LE		LM	A+LM		Kg		
		D24			D24	F	U	P	
VR 1_HS	88.5	321.5		—	—	21	19.0	20	
VR 1_HSF	88.5	321.5		—	—	22	21	22	
VR 1_G90	—	—		59	292	23	21	23	

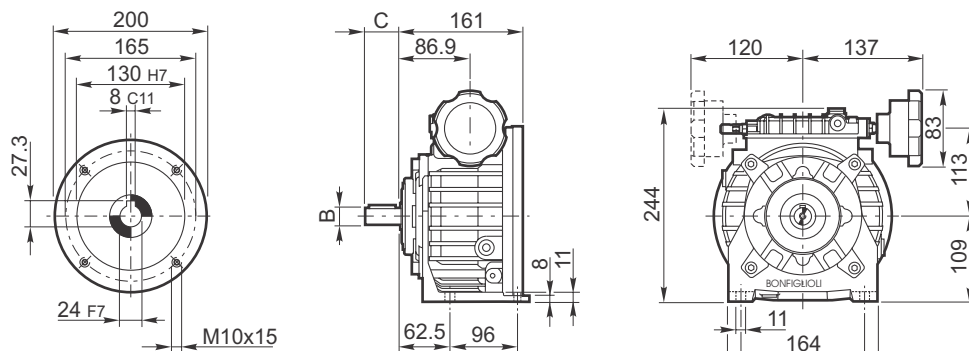


V 2

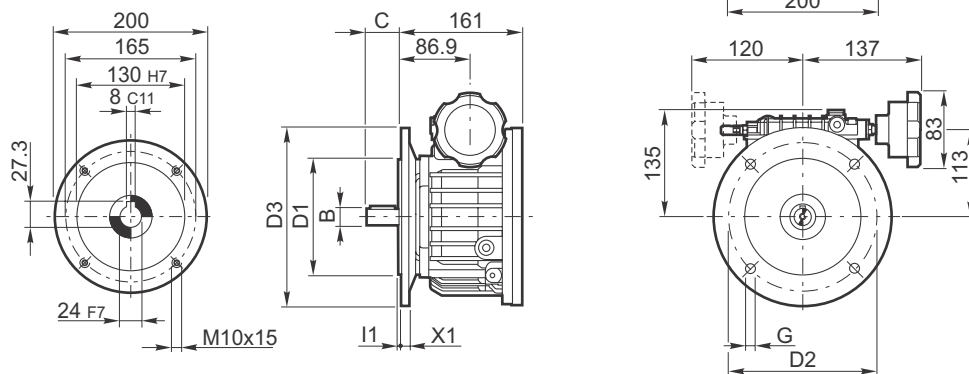
V 2 F_P90



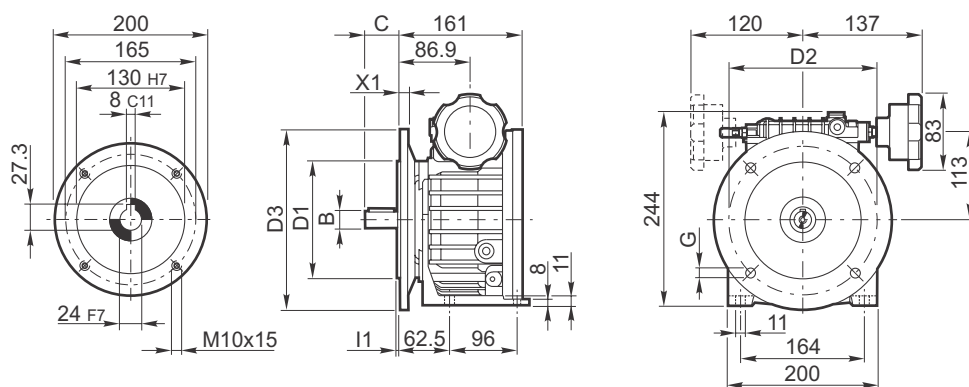
V 2 UP_P90



V 2 UF_P90



V 2 UPF_P90



F-UP-UF-UPF	B j6	B1	B2	B3	B4	C	U
V 2_D24	24	27	8	5	40	50	M8
V 2_D28	28	31	8	5	50	60	M10

UF-UPF	D1 j6	D2	D3	G	I1	X1	Kg				
V 2 UF90_	130	165	200	11.5	3.5	12	V 2_P90	F	U	UF	UP
V 2 UF100_	180	215	250	14	4	18.8					