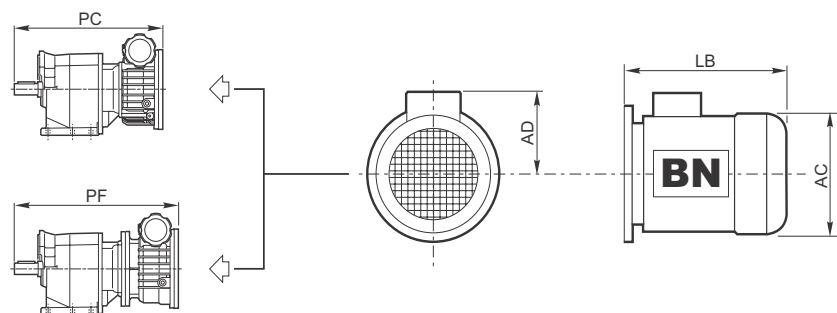


## C 21\_UF + V\_P(IEC)

UF	D <sub>1</sub>	D <sub>2</sub>	D <sub>3</sub>	G	l <sub>1</sub>	X <sub>1</sub>
C 212_UFA	95	115	140	9	3	10
C 212_UFB	110	130	160	9	3	10
C 212_UFC	130	165	200	11	3.5	11

	IEC	V_C - V_F											C 21_ + V_C			C 21_ + V_F						
		N	N1	N2	N4	M	M1	M2	W	W1	W2	X	Y	PC	Kg			PF	Kg			
		P	F	U	P	F	U															
C 212_	V 0.25	P63	140	115	95	M8x20	11	12.8	4	45	115	110	68	83	307	9.2	8.9	9.0	382	11.7	11.4	11.2
	V 0.5	P71	160	130	110	M8x20	14	16.3	5	47.5	115	110	76	83	309	12.0	11.7	12.3	384	14.8	14.5	14.3
	V 0.5	P80	200	165	130	M10x20	19	20.8**	6	51.5	115	110	76	83	313	12.0	11.7	12.3	388	14.8	14.5	14.3
	V 1	P80	200	165	130	M10x20	19	21.8	6	59	133	124	95	83	—	—	—	—	429	22.3	22.0	21.8
	V 1	P90	200	165	130	M10x20	24	26.3*	8	59	133	124	95	83	—	—	—	—	429	22.3	22.0	21.8

## C 21\_ + V\_P + BN



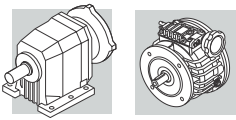
	IEC	BN				C 21_ + V_C				C 21_ + V_F			
		AC	AD	LB	PC+LB	Kg			PF+LB	Kg			
		P	F	U	P	F	U	P	F	U			
C 212_	V 0.25	63	124	95	184	491	13.1	12.8	12.9	566	15.6	15.3	15.1
	V 0.25	71R	138	108	219	526	14.6	14.3	14.4	601	17.1	16.8	16.6
	V 0.5	71	138	108	219	528	17.9	17.6	18.2	603	20.7	20.4	20.2
	V 0.5	80	156	119	234	547	21.9	21.6	22.2	622	24.7	24.4	24.2
	V 1	80	156	119	234	—	—	—	—	663	32.2	31.9	31.7
	V 1	90S	176	133	276	—	—	—	—	705	34.6	34.3	34.1
V 1	90L	176	133	276	—	—	—	—	705	36.6	36.3	36.1	

\* Utilizzare linguetta ribassata 8x6x35 "A"  
 \*\* Utilizzare linguetta ribassata 6x5x30 "A"

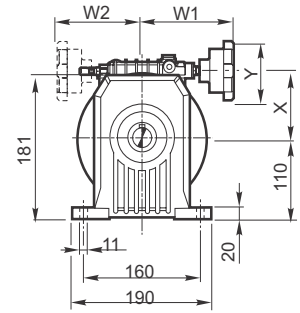
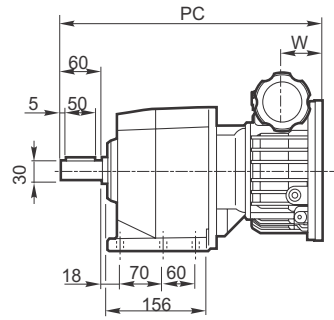
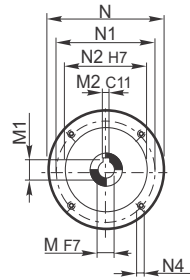
\* Use lowered key 8x6x35 "A"  
 \*\* Use lowered key 6x5x30 "A"

\* Den abgeflachten Federkeil 8x6x35 "A" verwenden  
 \*\* Den abgeflachten Federkeil 6x5x30 "A" verwenden

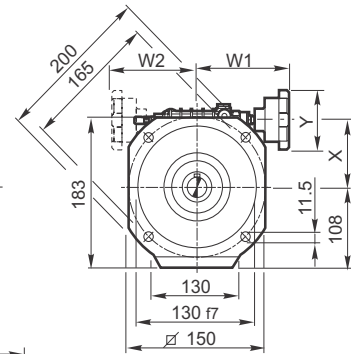
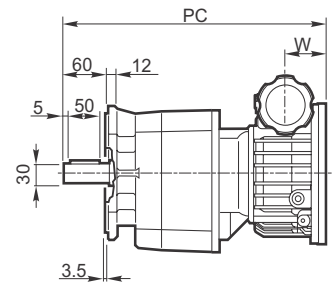
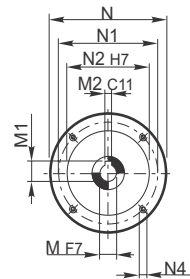
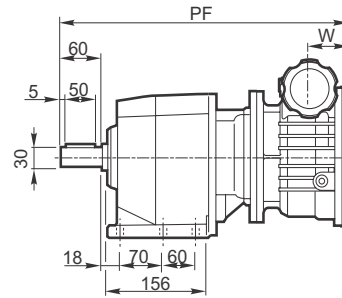
\* Utiliser une languette rabaisée taille 8x6x35 "A"  
 \*\* Utiliser une languette rabaisée taille 6x5x30 "A"



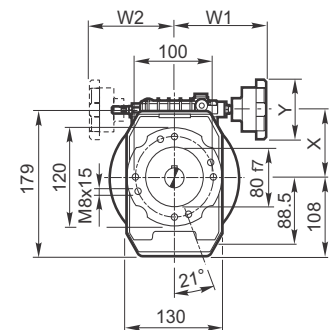
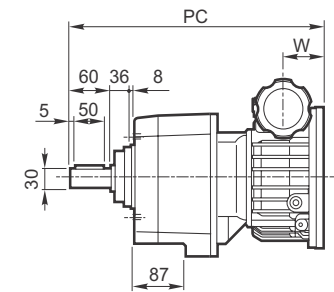
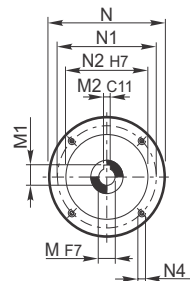
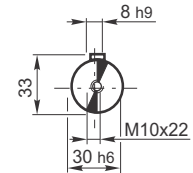
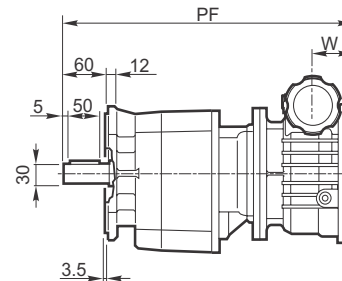
# C 31



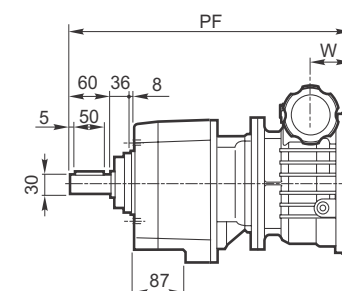
**C 31\_P + V\_P(IEC)**

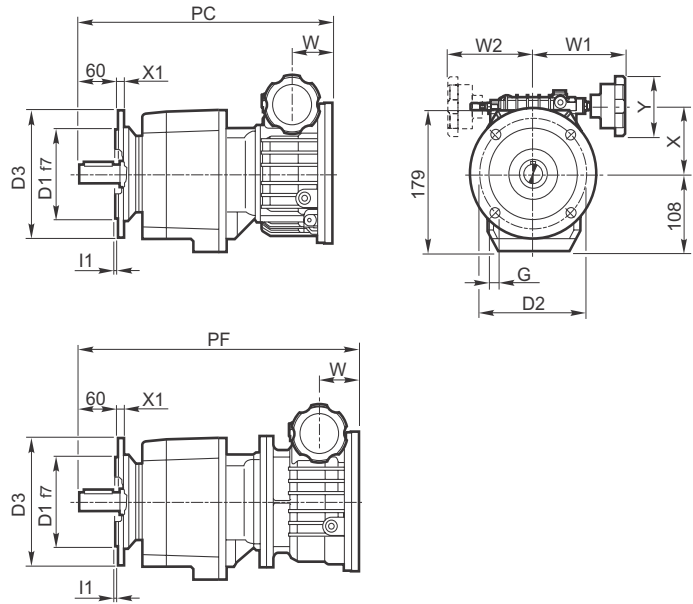
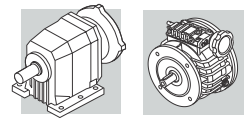


**C 31\_F + V\_P(IEC)**



**C 31\_U + V\_P(IEC)**



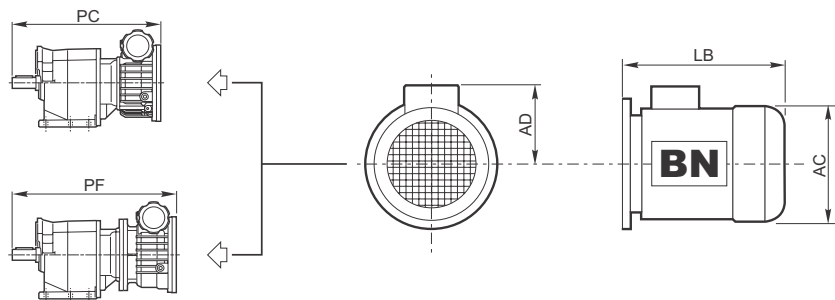


## C 31\_UF + V\_P(IEC)

UF		D <sub>1</sub>	D <sub>2</sub>	D <sub>3</sub>	G	l <sub>1</sub>	X <sub>1</sub>
C 312_UFA	C 313_UFA	110	130	160	9	3	10
C 312_UFB	C 313_UFB	130	165	200	11	3.5	11
C 312_UFC	C 313_UFC	180	215	250	14	4	13

	IEC	V_C - V_F											C 31_ + V_C			C 31_ + V_F						
		N	N1	N2	N4	M	M1	M2	W	W1	W2	X	Y	PC	Kg			PF	Kg			
		P	F	U	P	F	U															
C 312_	V 0.25	P63	140	115	95	M8x20	11	12.8	4	45	115	110	70	83	—	—	—	—	416	14.5	14.2	13.9
	V 0.5	P71	160	130	110	M8x20	14	16.3	5	47.5	115	110	78	83	344	14.7	14.9	14.6	418	17.7	17.4	17.1
	V 0.5	P80	200	165	130	M10x20	19	20.8**	6	51.5	115	110	78	83	348	14.7	14.9	14.6	422	17.7	17.4	17.1
	V 1	P80	200	165	130	M10x20	19	21.8	6	59	133	124	97	83	380	22.2	22.4	22.1	464	25.2	24.9	24.6
	V 1	P90	200	165	130	M10x20	24	26.3*	8	59	133	124	97	83	380	22.2	22.4	22.1	464	25.2	24.9	24.6
	V 2	P90	200	165	130	M10x15	24	27.3	8	74.1	137	120	113	83	—	—	—	—	488	29.8	29.5	29.2
C 313_	V 0.25	P63	140	115	95	M8x20	11	12.8	4	45	115	110	70	83	392	13.2	12.9	12.9	473	15.7	15.4	15.1

## C 31\_ + V\_P + BN



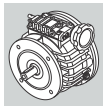
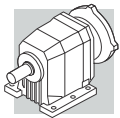
	IEC	BN			C 31_ + V_C					C 31_ + V_F			
		AC	AD	LB	PC+LB	Kg			PF+LB	Kg			
		P	F	U	P	F	U	P	F	U			
C 312_	V 0.25	63	121	95	184	—	—	—	—	600	18.4	18.1	17.8
	V 0.25	71R	138	108	219	—	—	—	—	635	19.9	19.6	19.3
	V 0.5	71	138	108	219	563	20.6	20.8	20.5	637	23.6	23.3	23.0
	V 0.5	80	156	119	234	582	24.6	24.8	24.5	656	27.6	27.3	27
	V 1	80	156	119	234	614	32	32	32	698	35	35	35
	V 1	90S	176	133	276	656	35	35	34	740	38	37	37
	V 1	90L	176	133	276	656	37	37	36	740	40	39	39
	V 2	90S	176	133	276	—	—	—	—	764	42	42	42
	V 2	90L	176	133	276	—	—	—	—	764	44	44	44
C 313_	V 0.25	63	121	95	184	576	17.1	16.8	16.8	657	19.6	19.3	19.0
	V 0.25	71R	138	108	219	611	18.6	18.3	18.3	692	21.1	20.8	20.5

\* Utilizzare linguetta ribassata 8x6x35 "A"  
 \*\* Utilizzare linguetta ribassata 6x5x30 "A"

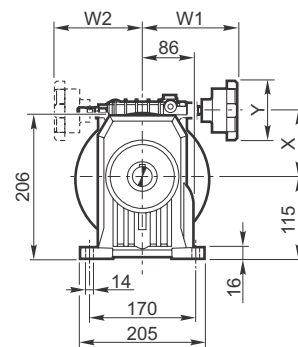
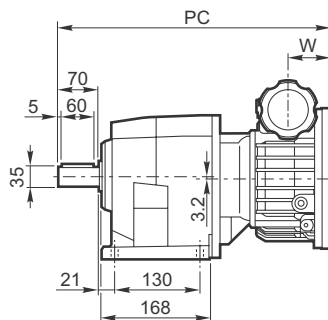
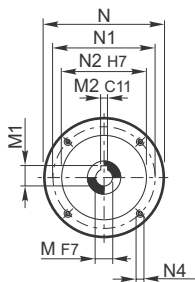
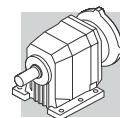
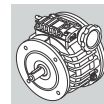
\* Use lowered key 8x6x35 "A"  
 \*\* Use lowered key 6x5x30 "A"

\* Den abgeflachten Federkeil 8x6x35 "A" verwenden  
 \*\* Den abgeflachten Federkeil 6x5x30 "A" verwenden

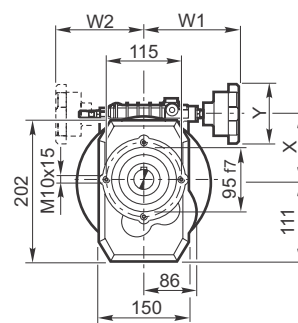
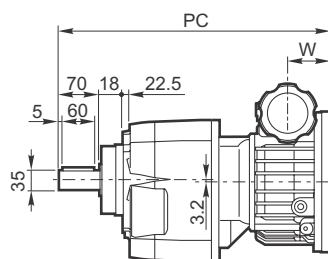
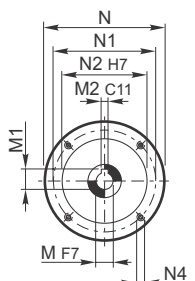
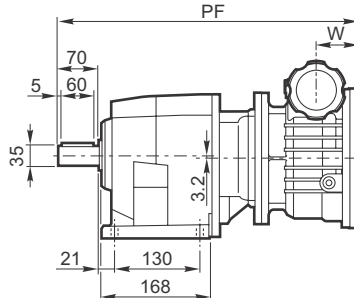
\* Utiliser une languette rabaissée taille 8x6x35 "A"  
 \*\* Utiliser une languette rabaissée taille 6x5x30 "A"



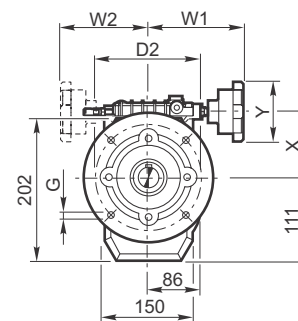
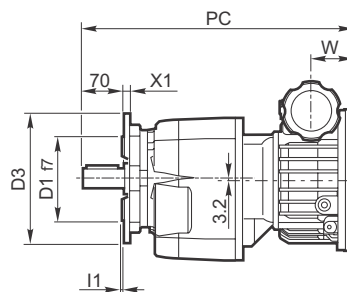
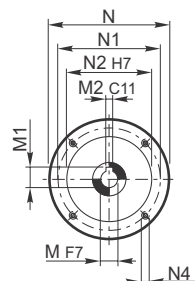
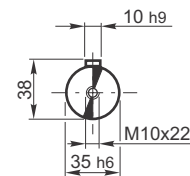
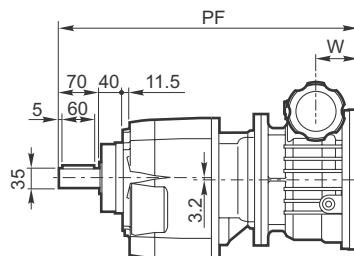
# C 35



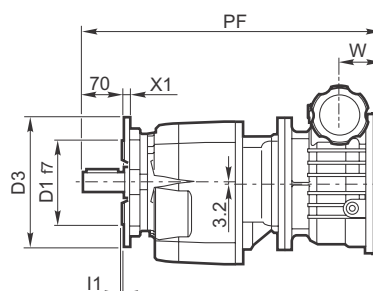
### C 35\_P + V\_P(IEC)



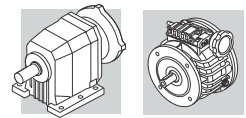
### C 35\_U + V\_P(IEC)



### C 35\_UF + V\_P(IEC)



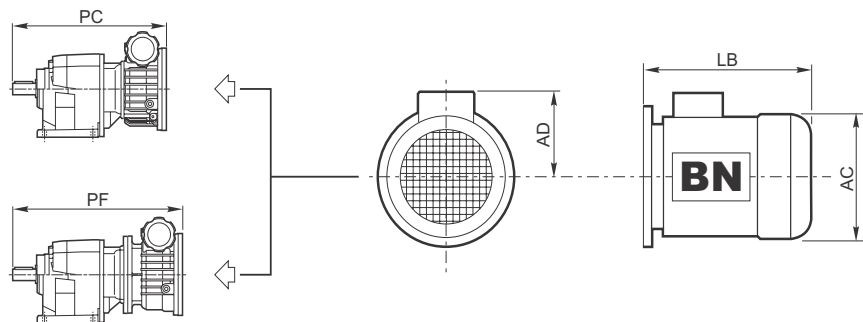
# C 35



UF			D <sub>1</sub>	D <sub>2</sub>	D <sub>3</sub>	G	I <sub>1</sub>	X <sub>1</sub>
C 352_UFA	C 353_UFA	C 354_UFA	130	165	200	11	3.5	11
C 352_UFB	C 353_UFB	C 354_UFB	180	215	250	14	4	14

	IEC	V_C - V_F											C 35_ + V_C			C 35_ + V_F			
		N	N1	N2	N4	M	M1	M2	W	W1	W2	X	Y	PC	P <sup>kg</sup>	U	PF	P <sup>kg</sup>	U
C 352_ 0.25	P63	140	115	95	M8x20	11	12.8	4	45	115	110	66.8	83	—	—	—	435	20.8	17.8
C 353_ V 0.5	P71	160	130	110	M8x20	14	16.3	5	47.5	115	110	74.8	83	360	22.0	21.2	437	24.0	21.0
	P80	200	165	130	M10x20	19	20.8**	6	51.5	115	110	74.8	83	364	22.0	21.2	441	24.0	21.0
	P80	200	165	130	M10x20	19	21.8	6	59	133	124	93.8	83	396	30	29.2	468	32	28.5
	P90	200	165	130	M10x20	24	26.3*	8	59	133	124	93.8	83	396	30	29.2	468	32	28.5
	P90	200	165	130	M10x15	24	27.3	8	74.1	137	120	109.8	83	—	—	—	492	36	33
	P100	250	215	180	M12x23	28	31.3	8	91	173	—	147.2	109	—	—	—	556	60	58
	P112	250	215	180	M12x23	28	31.3	8	91	173	—	147.2	109	—	—	—	556	60	58
C 354_ V 0.25	P63	140	115	95	M8x20	11	12.8	4	45	115	110	66.8	83	408	20.0	19.2	492	24.5	19.3
	P71	160	130	110	M8x20	14	16.3	5	47.5	115	110	74.8	83	410	26.0	25.2	494	27.5	22.5
	P80	200	165	130	M10x20	19	20.8**	6	51.5	115	110	74.8	83	414	26.0	25.2	498	27.5	22.5
	P80	200	165	130	M10x20	19	21.8	6	59	133	124	93.8	83	—	—	—	540	35	30

## C 35\_ + V\_P + BN



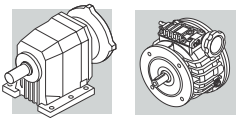
	IEC	BN			C 35_ + V_C			C 35_ + V_F		
		AC	AD	LB	PC+LB	P <sup>kg</sup>	U	PF+LB	P <sup>kg</sup>	U
C 352_ V 0.25	63	121	95	184	—	—	—	618.5	24.7	21.7
C 353_ V 0.25	71R	138	108	219	—	—	—	653.5	26.2	23.2
	71	138	108	219	578.5	27.9	27.1	656	29.9	26.9
	80	156	119	234	597.5	31.9	31.1	675	34	31
	80	156	119	234	629.5	39.9	39.1	701.5	41	38
	90S	176	133	276	671.5	42.3	41.5	743.5	43.8	40.8
	90L	176	133	276	671.5	44.3	43.5	743.5	45.8	42.8
	90S	176	133	276	—	—	—	767.5	48.1	45.6
	90L	176	133	276	—	—	—	767.5	50.1	47.6
	100R	195	142	307	—	—	—	798.5	58.1	55.6
	100	195	135	306	—	—	—	861.5	80.3	77.8
	112	219	150	325	—	—	—	880.5	90.3	87.8
C 354_ V 0.25	63	121	95	184	591.5	23.9	23.1	675.5	28.4	23.2
	71R	138	108	219	626.5	25.4	24.6	710.5	29.9	24.7
	71	138	108	219	629	31.9	31.1	713	33.4	28.4
	80	156	119	234	648	35.9	35.1	732	37.4	32.4
	80	156	119	234	—	—	—	773.5	45	39.9

\* Utilizzare linguetta ribassata 8x6x35 "A"  
 \*\* Utilizzare linguetta ribassata 6x5x30 "A"

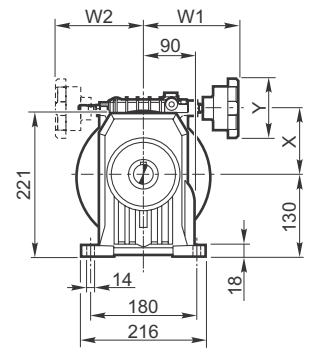
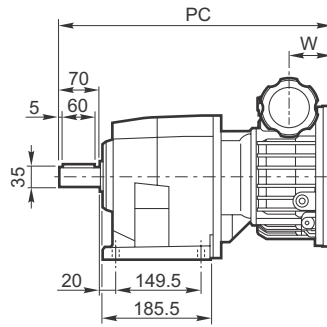
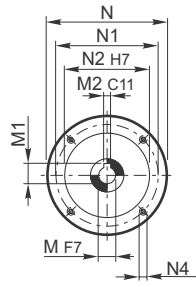
\* Use lowered key 8x6x35 "A"  
 \*\* Use lowered key 6x5x30 "A"

\* Den abgeflachten Federkeil 8x6x35 "A" verwenden  
 \*\* Den abgeflachten Federkeil 6x5x30 "A" verwenden

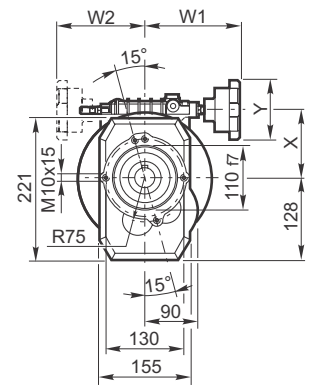
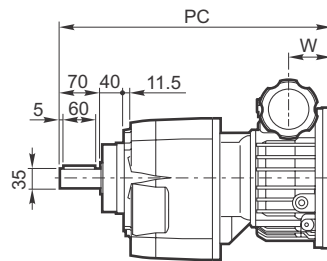
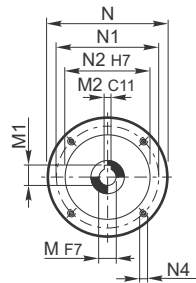
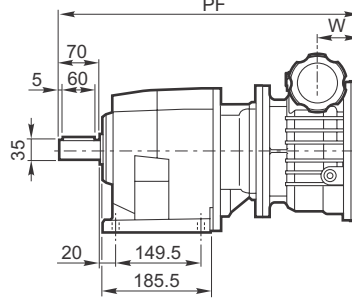
\* Utiliser une languette rabaissée taille 8x6x35 "A"  
 \*\* Utiliser une languette rabaissée taille 6x5x30 "A"



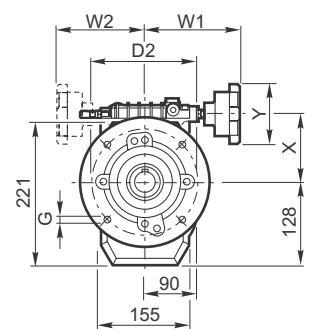
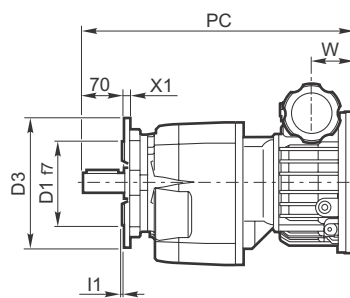
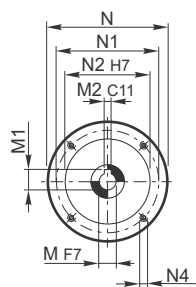
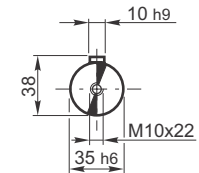
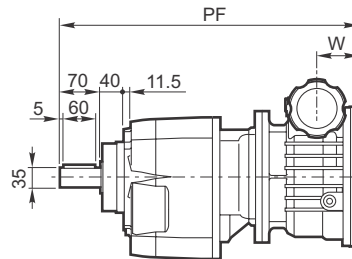
# C 41



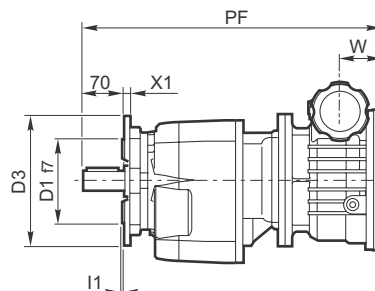
## C 41\_P + V\_P(IEC)



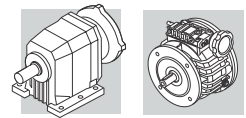
## C 41\_U + V\_P(IEC)



## C 41\_UF + V\_P(IEC)



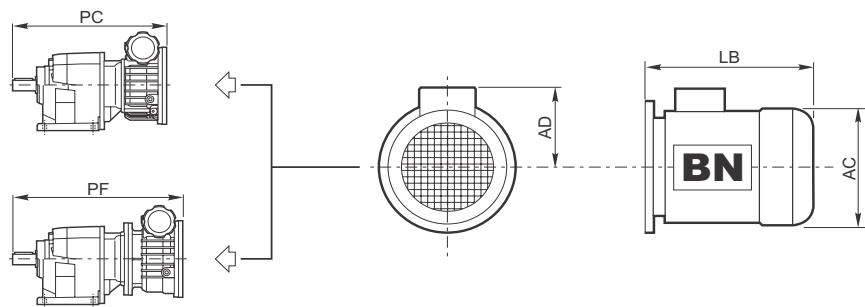
# C 41



UF			D <sub>1</sub>	D <sub>2</sub>	D <sub>3</sub>	G	I <sub>1</sub>	X <sub>1</sub>
C 412_UFA	C 413_UFA	C 414_UFA	130	165	200	11	3.5	11
C 412_UFB	C 413_UFB	C 414_UFB	180	215	250	14	4	13

		IEC	V_C - V_F											C 41_ + V_C			C 41- + V_F			
			N	N1	N2	N4	M	M1	M2	W	W1	W2	X	Y	PC	Kg P U		PF	Kg P U	
C 412	V 0.5	P71	160	130	110	M8x20	14	16.3	5	47.5	115	110	78	83	381	29.5	25.9	448	35	29.9
C 413	V 0.5	P80	200	165	130	M10x20	19	20.8**	6	51.5	115	110	78	83	385	29.5	25.9	452	35	29.9
	V 1	P80	200	165	130	M10x20	19	21.8	6	59	133	124	97	83	409	37	34	494	42	38
	V 1	P90	200	165	130	M10x20	24	26.3*	8	59	133	124	97	83	409	37	34	494	42	38
	V 2	P90	200	165	130	M10x15	24	27.3	8	74.1	137	120	113	83	432	41	36	518	47	42
	V 3	P100	250	215	180	M12x23	28	31.3	8	91	173	—	147.2	109	—	—	—	572	70	66
	V 3	P112	250	215	180	M12x23	28	31.3	8	91	173	—	147.2	109	—	—	—	572	70	66
C 414_	V 0.25	P63	140	115	95	M8x20	11	12.8	4	45	115	110	70	83	432	28.5	26.0	517	33	29.8
	V 0.5	P71	160	130	110	M8x20	14	16.3	5	47.5	115	110	78	83	435	32	29.2	519	36	33
	V 0.5	P80	200	165	130	M10x20	19	20.8**	6	51.5	115	110	78	83	439	32	29.2	523	36	33
	V 1	P80	200	165	130	M10x20	19	21.8	6	59	133	124	97	83	—	—	—	565	43	41
	V 1	P90	200	165	130	M10x20	24	26.3*	8	59	133	124	97	83	—	—	—	565	43	41

## C 41\_ + V\_P + BN



		IEC	BN			C 41_ + V_C			C 41- + V_F		
			AC	AD	LB	PC+LB	Kg P U		PF+LB	Kg P U	
C 412_	V 0.5	71	138	108	219	599.5	35.4	32.4	667	40.4	35.8
C 413_	V 0.5	80	156	119	234	618.5	39.4	36.4	686	44.4	39.8
	V 1	80	156	119	234	643	47	45	727.5	52	47.4
	V 1	90S	176	133	276	685	49.4	47.4	769.5	54.4	49.8
	V 1	90L	176	133	276	685	51.4	49.4	769.5	56.4	51.8
	V 2	90S	176	133	276	708	53.1	50.1	793.5	59.1	54.5
	V 2	90L	176	133	276	708	55.1	52.1	793.5	61.1	56.5
	V 2	100R	195	142	307	739	63.1	60.1	824.5	69.1	64.5
	V 3	100	195	135	306	—	—	—	877.5	90	86.4
	V 3	112	219	150	325	—	—	—	896.5	110	96.4
C 414_	V 0.25	63	121	95	184	616	32.4	29.6	700.5	36.4	33.7
	V 0.25	71R	138	108	219	651	33.9	31.1	735.5	37.9	35.2
	V 0.5	71	138	108	219	653.5	37.4	34.6	738	41.4	38.9
	V 0.5	80	156	119	234	672.5	41.4	38.6	757	45.4	42.9
	V 1	80	156	119	234	—	—	—	798.5	53	50.5
	V 1	90S	176	133	276	—	—	—	840.5	55.4	52.9
	V 1	90L	176	133	276	—	—	—	840.5	57.4	54.9

\* Utilizzare linguetta ribassata 8x6x35 "A"

\*\* Utilizzare linguetta ribassata 6x5x30 "A"

\* Use lowered key 8x6x35 "A"

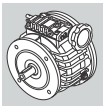
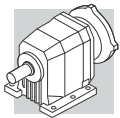
\*\* Use lowered key 6x5x30 "A"

\* Den abgeflachten Federkeil 8x6x35 "A" verwenden

\*\* Den abgeflachten Federkeil 6x5x30 "A" verwenden

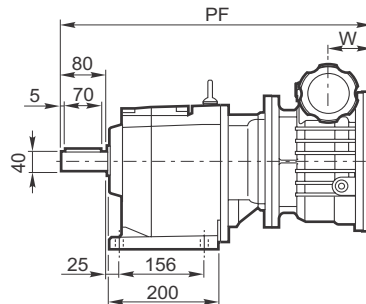
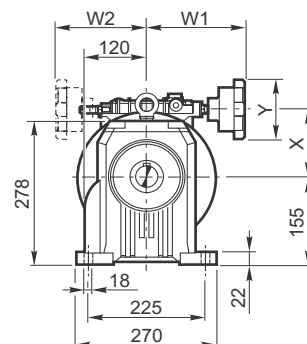
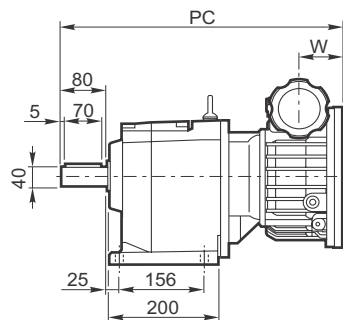
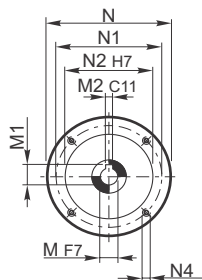
\* Utiliser une languette rabaissée taille 8x6x35 "A"

\*\* Utiliser une languette rabaissée taille 6x5x30 "A"

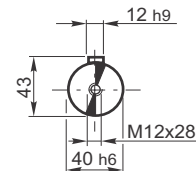
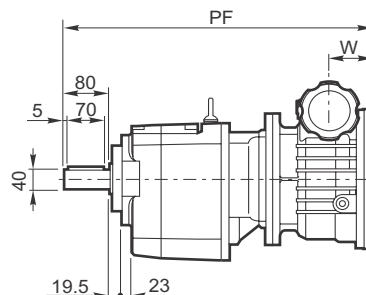
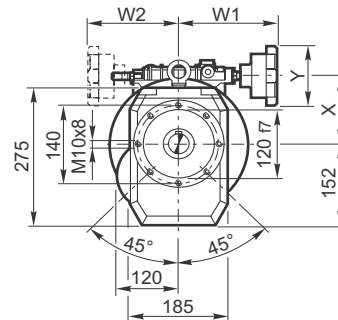
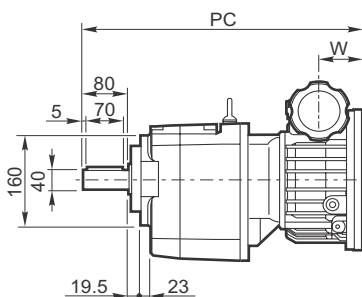
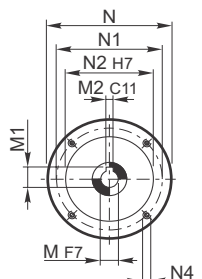


# C 51

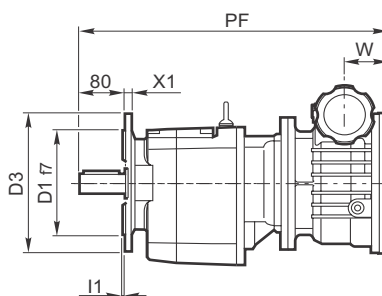
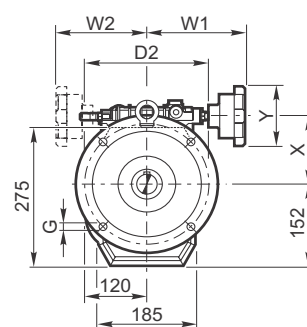
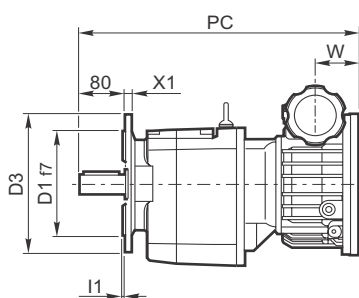
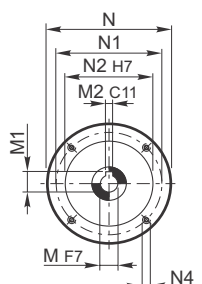
## C 51\_P + V\_P(IEC)



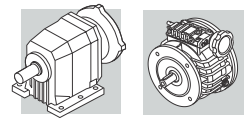
## C 51\_U + V\_P(IEC)



## C 51\_UF + V\_P(IEC)



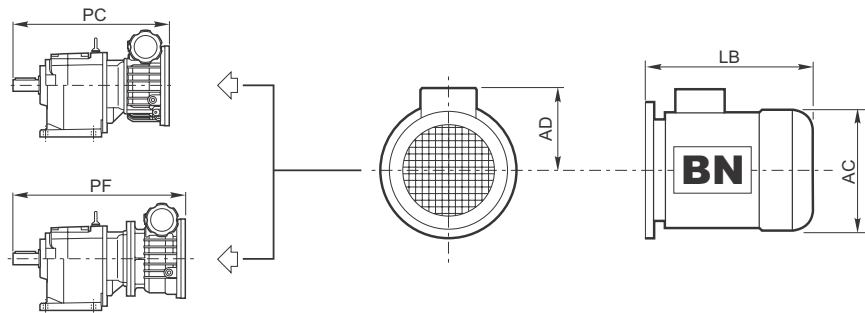




UF			D <sub>1</sub>	D <sub>2</sub>	D <sub>3</sub>	G	I <sub>1</sub>	X <sub>1</sub>
C 512_UFA	C 513_UFA	C 514_UFA	180	215	250	14	4	13
C 512_UFB	C 513_UFB	C 514_UFB	230	265	300	14	4	16

	IEC	V_C - V_F												C 51_ + V_C			C 51_ + V_F		
		N	N1	N2	N4	M	M1	M2	W	W1	W2	X	Y	PC	P	U	PF	P	U
C 512_ V 1	P80	200	165	130	M10x20	19	21.8	6	59	133	124	97	83	—	—	—	519	58	53
C 513_ V 1	P90	200	165	130	M10x20	24	26.3*	8	59	133	124	97	83	—	—	—	519	58	53
V 2	P90	200	165	130	M10x15	24	27.3	8	74.1	137	120	113	83	458	58	53	543	63	58
V 3	P100	250	215	180	M12x23	28	31.3	8	91	172.5	—	150.5	109	500	72	69	607	87	82
V 3	P112	250	215	180	M12x23	28	31.3	8	91	172.5	—	150.5	109	500	72	69	607	87	82
V 5.5	P112	250	215	180	M12x23	28	31.3	8	91	172.5	—	150.5	109	500	72	69	607	88	83
C 514_ V 0.5	P71	160	130	110	M8x20	14	16.3	5	47.5	115	110	78	83	470	45	42	544	55	51
V 0.5	P80	200	165	130	M10x20	19	20.8**	6	51.5	115	110	78	83	474	45	42	548	55	51
V 1	P80	200	165	130	M10x20	19	21.8	6	59	133	124	97	83	506	60	52	590	63	59
V 1	P90	200	165	130	M10x20	24	26.3*	8	59	133	124	97	83	506	60	52	590	63	59

## C 51\_ + V\_P + BN



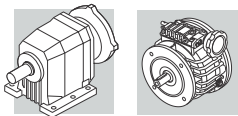
	IEC	BN			C 51_ + V_C			C 51_ + V_F		
		AC	AD	LB	PC+LB	P	U	PF+LB	P	U
C 512_ V 1	80	156	119	234	—	—	—	753	68	63
C 513_ V 1	90S	176	133	276	—	—	—	795	70.4	65.4
V 1	90L	176	133	276	—	—	—	795	72.4	67.4
V 2	90S	176	133	276	733.5	65.1	62.1	819	75.1	70.1
V 2	90L	176	133	276	733.5	67.1	64.1	819	77.1	72.1
V 2	100R	195	142	307	764.5	75.1	72.1	850	85.1	80.1
V 3	100	195	135	306	806	92	89	913	107	102
V 3	112	219	150	325	825	102	99	932	117	112
V 5.5	112	219	150	325	825	102	99	932	118	113
C 514_ V 0.5	71	138	108	219	698	50.9	47.9	763	60.4	56.4
V 0.5	80	156	119	234	708	54.9	51.9	782	64.4	60.4
V 1	80	156	119	234	740	65	61.9	824	73	69
V 1	90S	176	133	276	782	67.4	64.3	866	75.4	71.4
V 1	90L	176	133	276	782	69.4	66.3	866	77.4	73.4

\* Utilizzare linguetta ribassata 8x6x35 "A"  
 \*\* Utilizzare linguetta ribassata 6x5x30 "A"

\* Use lowered key 8x6x35 "A"  
 \*\* Use lowered key 6x5x30 "A"

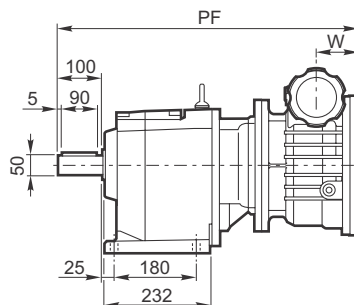
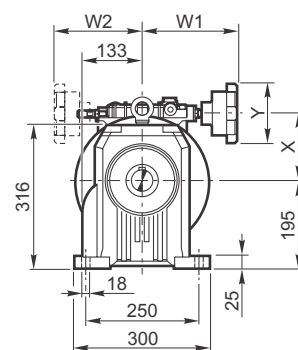
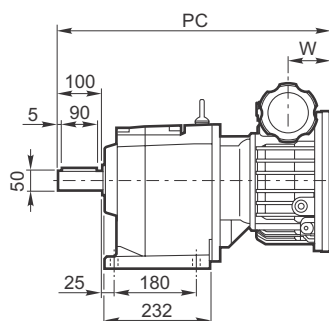
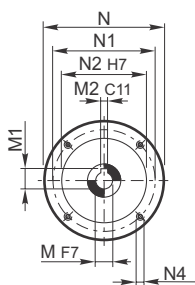
\* Den abgeflachten Federkeil 8x6x35 "A" verwenden  
 \*\* Den abgeflachten Federkeil 6x5x30 "A" verwenden

\* Utiliser une languette rabaissée taille 8x6x35 "A"  
 \*\* Utiliser une languette rabaissée taille 6x5x30 "A"

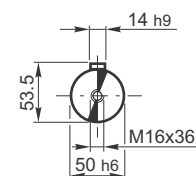
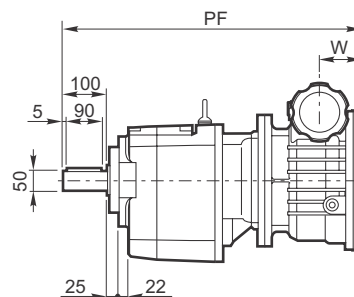
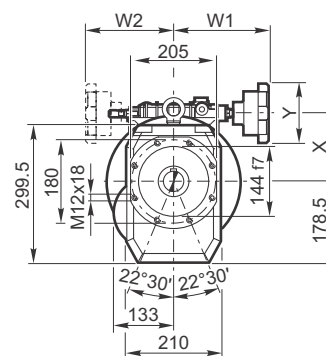
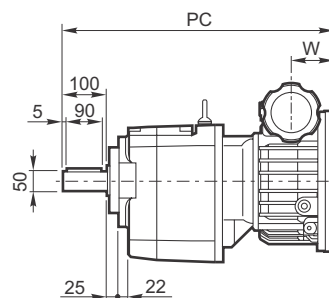
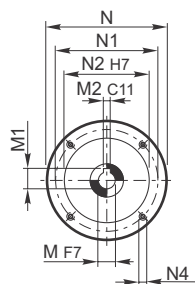


# C 61

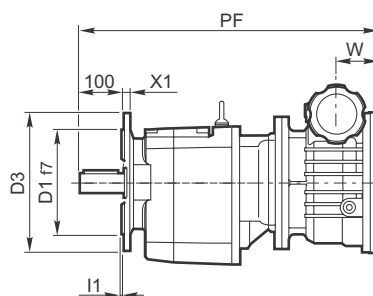
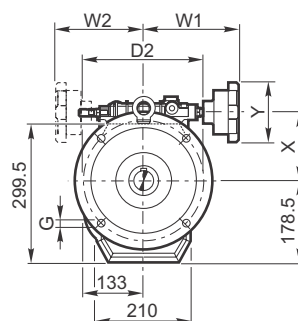
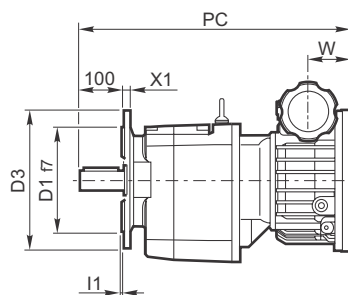
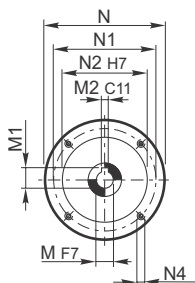
## C 61\_P + V\_P(IEC)

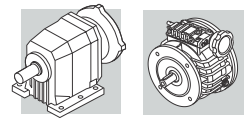


## C 61\_U + V\_P(IEC)



## C 61\_UF + V\_P(IEC)

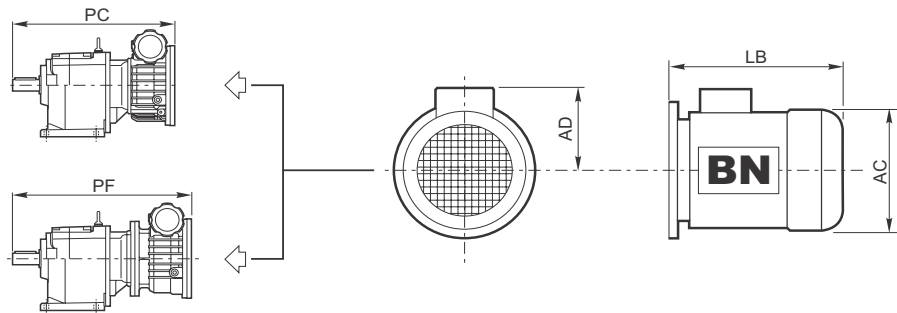




UF			D <sub>1</sub>	D <sub>2</sub>	D <sub>3</sub>	G	I <sub>1</sub>	X <sub>1</sub>
C 612_UFA	C 613_UFA	C 614_UFA	230	265	300	14	4	16
C 612_UFB	C 613_UFB	C 614_UFB	250	300	350	18	5	18

	IEC	V_C - V_F												C 61_ + V_C			C 61_ + V_F		
		N	N1	N2	N4	M	M1	M2	W	W1	W2	X	Y	PC	P <sup>Kg</sup>	U	PF	P <sup>Kg</sup>	U
C 612_ V 1	P80	200	165	130	M10x20	19	21.8	6	59	133	124	97	83	—	—	—	574	72	67
C 613_ V 1	P90	200	165	130	M10x20	24	26.3*	8	59	133	124	97	83	—	—	—	574	72	67
	P90	200	165	130	M10x15	24	27.3	8	74.1	137	120	113	83	519	71	66	598	77	72
	P100	250	215	180	M12x23	28	31.3	8	91	172.5	—	150.5	109	555	93	85	675	101	96
	P112	250	215	180	M12x23	28	31.3	8	91	172.5	—	150.5	109	555	93	85	675	101	96
	P112	250	215	180	M12x23	28	31.3	8	91	172.5	—	150.5	109	555	94	86	675	102	97
	P132	300	265	230	M12x25	38	41.3	10	108	193.5	—	206.5	109	581	149	141	739	162	157
C 614_ V 0.5	P71	160	130	110	M8x20	14	16.3	5	47.5	115	110	78	83	532	75	67	598	71	63
	P80	200	165	130	M10x20	19	20.8**	6	51.5	115	110	78	83	536	75	67	602	71	63
	P80	200	165	130	M10x20	19	21.8	6	59	133	124	97	83	560	82	74	644	81	73
	P90	200	165	130	M10x20	24	26.3*	8	59	133	124	97	83	560	82	74	644	81	73
	P90	200	165	130	M10x15	24	27.3	8	74.1	137	120	113	83	583	86	78	668	86	78

## C 61\_ + V\_P + BN



	IEC	BN			C 61_ + V_C			C 61_ + V_F		
		AC	AD	LB	PC+LB	P <sup>Kg</sup>	U	PF+LB	P <sup>Kg</sup>	U
C 612_ V 1	80	156	119	234	—	—	—	808	82	77
C 613_ V 1	90S	176	133	276	—	—	—	850	84.4	79.4
	90L	176	133	276	—	—	—	850	86.4	81.4
	90S	176	133	276	794.5	83.1	75.1	874	89.1	84.1
	90L	176	133	276	794.5	85.1	77.1	874	91.1	86.1
	100R	195	142	307	825.5	93.1	85.1	905	99.1	94.1
	100	195	135	306	861	113	105	981	121	116
	112	219	150	325	880	123	115	1000	131	126
	112	219	150	325	880	124	116	1000	132	127
	132S	258	193	375	956	192	184	1113.5	205	200
	132M	258	193	413	994	202	194	1151.5	215	210
C 614_ V 0.5	71	138	108	219	750.5	80.9	72.9	817	76.4	68.4
	80	156	119	234	769.5	84.9	76.9	836	80.4	72.4
	80	156	119	234	794	91.9	83.9	878	91	83
	90S	176	133	276	836	94.3	86.3	920	93.4	85.4
	90L	176	133	276	836	96.3	88.3	920	95.4	87.4
	90S	176	133	276	859	98.3	90.3	944	98.1	90.1
	90L	176	133	276	859	100.3	92.3	944	100.1	92.1
	100R	195	142	307	890	108.3	100.3	975	108.1	100.1

\* Utilizzare linguetta ribassata 8x6x35 "A"  
 \*\* Utilizzare linguetta ribassata 6x5x30 "A"

\* Use lowered key 8x6x35 "A"  
 \*\* Use lowered key 6x5x30 "A"

\* Den abgeflachten Federkeil 8x6x35 "A" verwenden  
 \*\* Den abgeflachten Federkeil 6x5x30 "A" verwenden

\* Utiliser une languette rabaissée taille 8x6x35 "A"  
 \*\* Utiliser une languette rabaissée taille 6x5x30 "A"