

Gearcase

	C	SA	OA
C 11 2	9.90	3.228	5.433
	251.5	82	138

Flange

AF	AJ	AK	BB	BD	BF	GA
4.134	4.528	3.740	0.118	5.512	0.374	0.315
105	115	95	3	140	9.5	8

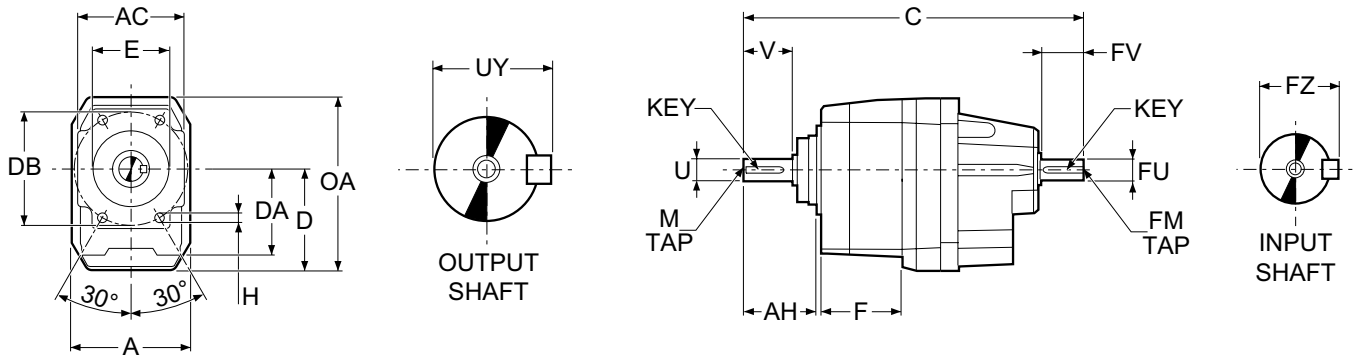
Output shaft (Inch series)

	U	UY	V	Key	M
C 11 2	NF	0.750	1.562	3/16 x 3/16 x 1 3/8	M8x19 [mm]

Input shaft (Inch series)

	FU	FZ	FV	Key	FM	Weight [lbs / kg]
C 11 2	NHS	0.710	1.570	3/16 x 3/16 x 1 3/8	M6x16 [mm]	10 / 4.5

C 11 2 Universal housing, solid input shaft



Gearcase

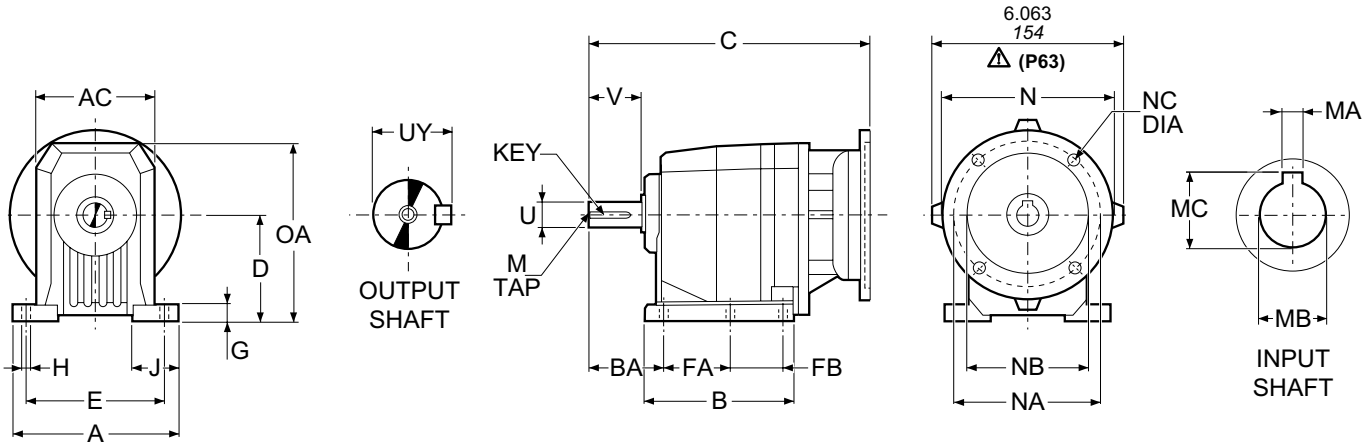
	A	AC	AH	C	D	DA	DB	E	F	H	OA
C 11 2	3.740	3.327	2.441	9.90	3.228	2.677	3.543	2.756	2.106	M8x12.5 [mm]	5.433
	95	84.5	62	251.5	82	68	90	70	53.5		138

Output shaft (Inch series)

	U	UY	V	Key	M
C 11 2 NU	0.750 ⁺⁰ _{-0.0005}	0.830	1.562	3/16 x 3/16 x 1 3/8	M8x19 [mm]

Input shaft (Inch series)

	FU	FZ	FV	Key	FM	Weight [lbs / kg]
C 11 2 NHS	0.625 ⁺⁰ _{-0.0004}	0.710	1.570	3/16 x 3/16 x 1 3/8	M6x16 [mm]	9 / 4.3



Gearcase

	A	AC	B	BA	D	E	FA	FB	G	H	J	OA
C 11 2	5.118 130	3.740 95	4.213 107	2.283 58	3.346 85	4.331 110	1.969 50	1.457 37	0.590 15	0.354 9	1.457 37	5.551 141

Output shaft (Inch series)

	U	UY	V	Key	M
C 11 2 NP	0.750 ⁺⁰ _{-0.0005}	0.830	1.562	3/16 x 3/16 x 1 3/8	M8x19 [mm]

IEC Flange

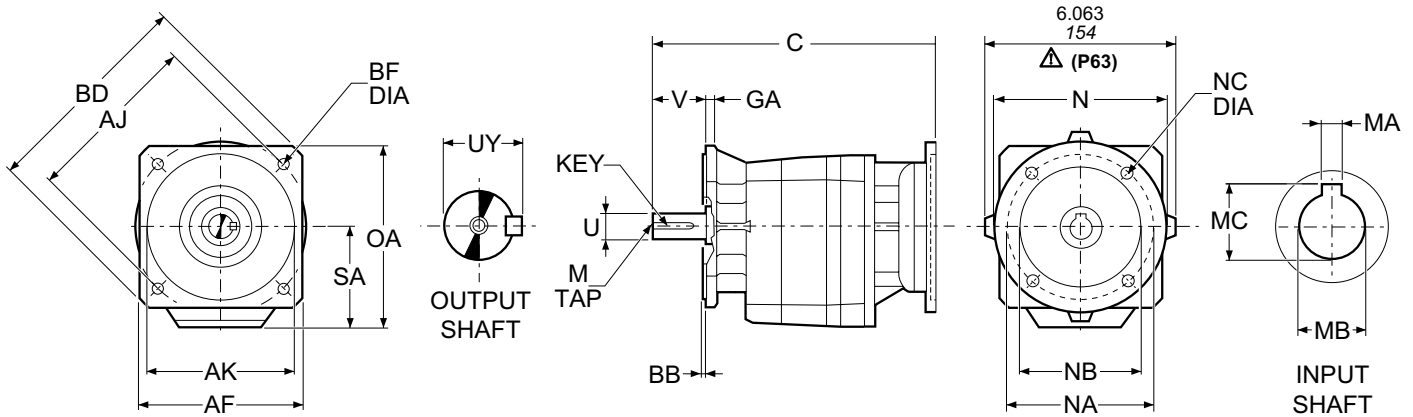
	N	NA	NB	NC	Weight [lbs / kg]
P63	140	115	95	M8x19	13 / 6
P71	160	130	110	M8x16	13 / 6
P80, P90	200	165	130	M10x12	15 / 7
P100, P112	250	215	180	M12x16	24 / 11

Hollow input shaft

	MA	MB	MC
P63	4	11	12.8
P71	5	14	16.3
P80	6	19	21.8
P90	8	24	27.3
P100, P112	8	28	31.3

	C		
	P63 P71	P80 P90	P100 P112
C 11 2	9.63 244.5	10.39 264	10.79 274

C 11 2 Flange mounted, IEC input



Gearcase

	SA	OA
C 11 2	3.228	5.433
	82	138

Flange

AF	AJ	AK	BB	BD	BF	GA
4.134	4.528	3.740	0.118	5.512	0.374	0.315
105	115	95	3	140	9.5	8

Output shaft (Inch series)

	U	UY	V	Key	M
C 11 2	NF	0.750	0.830	1.562	3/16 x 3/16 x 1 3/8
		$+0.0005$			M8x19 [mm]

IEC Flange



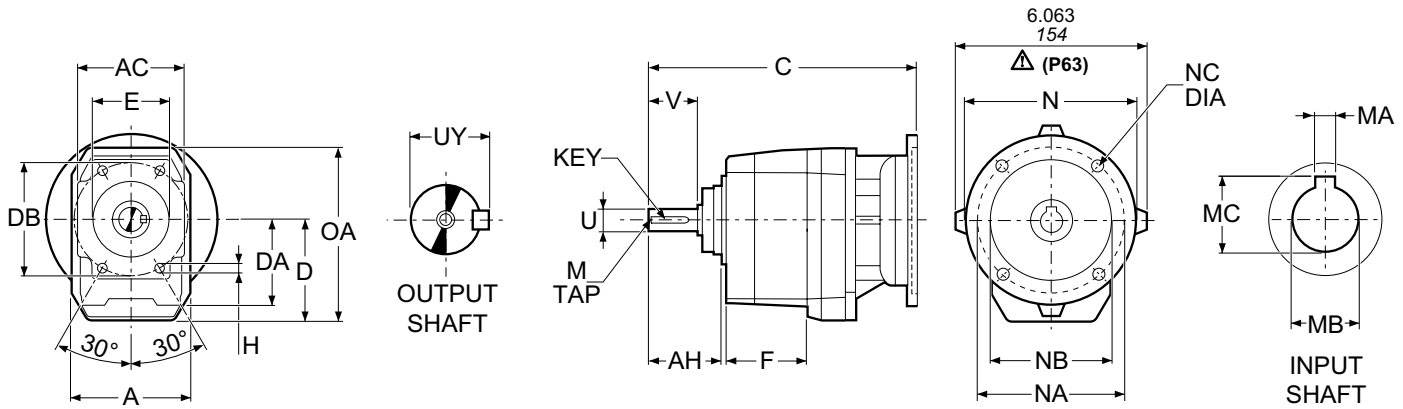
	N	NA	NB	NC	Weight [lbs / kg]
P63	140	115	95	M8x19	13 / 6
P71	160	130	110	M8x16	13 / 6
P80, P90	200	165	130	M10x12	15 / 7
P100, P112	250	215	180	M12x16	24 / 11

Hollow input shaft

	MA	MB	MC
P63	4	11	12.8
P71	5	14	16.3
P80	6	19	21.8
P90	8	24	27.3
P100, P112	8	28	31.3

	C		
	P63 P71	P80 P90	P100 P112
C 11 2	9.63 244.5	10.39 264	10.79 274

Dimensions are $\frac{\text{inch}}{\text{mm}}$



Gearcase

	A	AC	AH	D	DA	DB	E	F	H	OA
C 11 2	3.740	3.327	2.441	3.228	2.677	3.543	2.756	2.106	M8x12.5 [mm]	5.433
	95	84.5	62	82	68	90	70	53.5		138

Output shaft (Inch series)

	U	UY	V	Key	M	
C 11 2	NU	0.750 <small>+0.0005</small>	0.830	1.562	3/16 x 3/16 x 1 3/8	M8x19 [mm]

IEC Flange



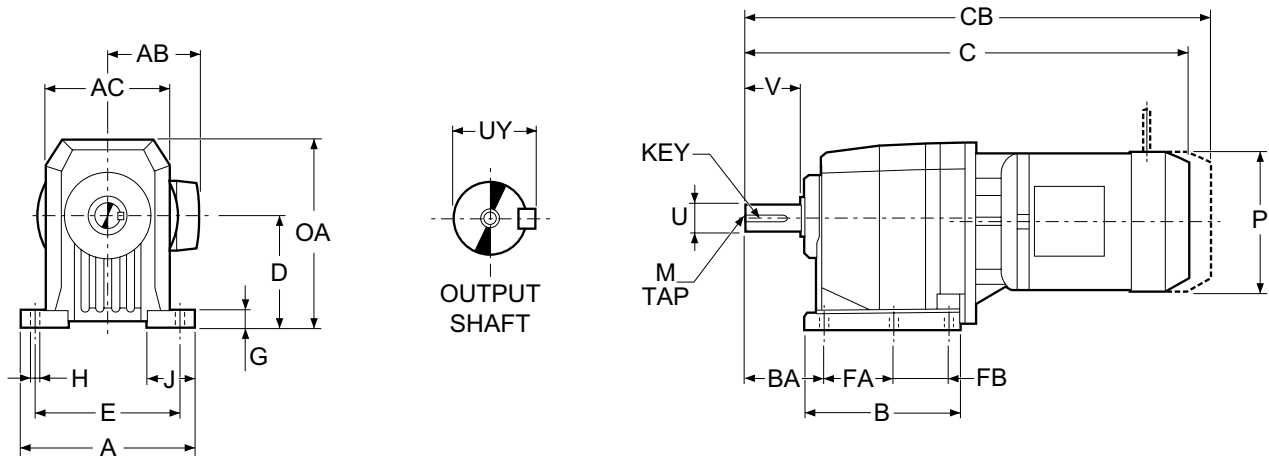
	N	NA	NB	NC	Weight [lbs / kg]
P63	140	115	95	M8x19	13 / 6
P71	160	130	110	M8x16	13 / 6
P80, P90	200	165	130	M10x12	15 / 7
P100, P112	250	215	180	M12x16	24 / 11

Hollow input shaft

	MA	MB	MC
P63	4	11	12.8
P71	5	14	16.3
P80	6	19	21.8
P90	8	24	27.3
P100, P112	8	28	31.3

	C		
	P63 P71	P80 P90	P100 P112
C 11 2	9.63	10.39	10.79
	244.5	264	274

Dimensions are $\frac{\text{inch}}{\text{mm}}$

**Gearcase**

	A	AC	B	BA	D	E	FA	FB	G	H	J	OA
C 21 2, C 21 3	6.102	4.331	5.394	2.677	3.937	5.118	2.362	1.870	0.669	0.433	1.772	6.535
	155	110	137	68	100	130	60	47.5	17	11	45	166

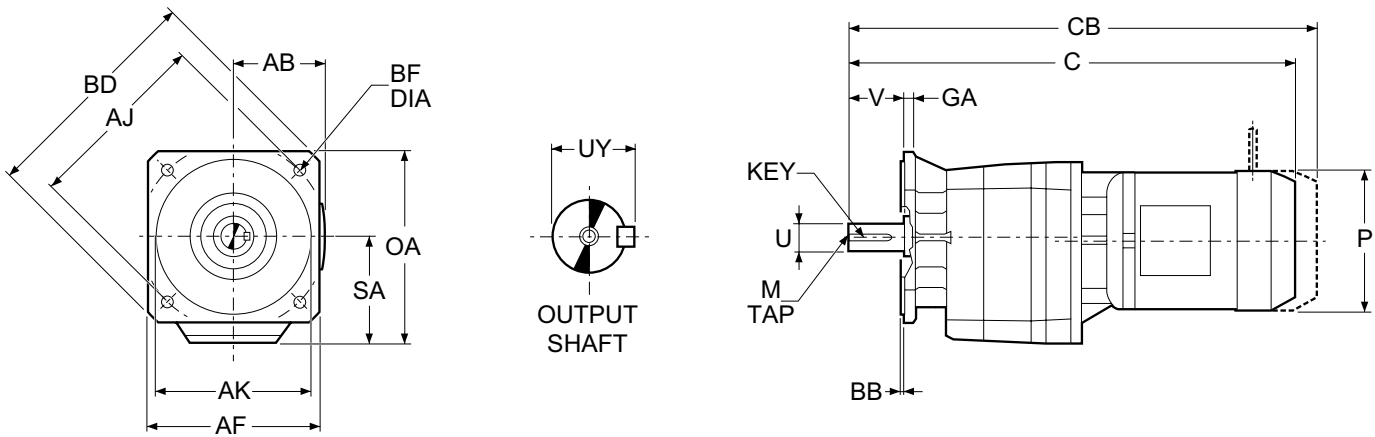
Output shaft (Inch series)

	U	UY	V	Key	M
C 21 2, C 21 3 NP	1.000 ⁺⁰ _{-0.0005}	1.110	2.000	1/4 x 1/4 x 1 3/4	M8x19 [mm]

Motor

	AB	C	CB	P	Weight [lbs / kg]
C 21 2_S05 M05	3.740 95	15.75 400	18.35 466	4.764 121	29 / 13
C 21 2_S1 M1S	4.252 108	15.91 404	18.39 467	5.433 138	29 / 13
C 21 2_S1 M1L	4.252 108	16.85 428	19.25 489	5.433 138	31 / 14
C 21 2_S2 M2S	4.685 119	17.99 457	20.75 527	6.142 156	42 / 19
C 21 2_S3 M3S	5.591 142	19.69 500	23.47 596	7.677 195	57 / 26
C 21 2_S3 M3L	5.591 142	20.95 532	24.53 623	7.677 195	71 / 32
C 21 3_S05 M05	3.740 95	17.89 454.5	20.49 520.5	4.764 121	27 / 12
C 21 3_S1 M1S	4.252 108	18.09 459.5	20.57 522.5	5.433 138	31 / 14
C 21 3_S1 M1L	4.252 108	19.04 483.5	21.44 544.5	5.433 138	33 / 15
C 21 3_S2 M2S	4.685 119	20.22 513.5	22.97 583.5	6.142 156	42 / 19
C 21 3_S3 M3S	5.591 142	21.91 556.5	25.69 652.5	7.677 195	57 / 26
C 21 3_S3 M3L	5.591 142	23.17 588.5	26.75 679.5	7.677 195	71 / 32

Dimensions are $\frac{\text{inch}}{\text{mm}}$



Gearcase

	SA	OA
C 21 2, C 21 3	3.701 94	6.161 156.5

Flange

AF	AJ	AK	BB	BD	BF	GA
4.921 125	5.118 130	4.331 110	0.138 3.5	6.299 160	0.374 9.5	0.394 10

Output shaft (Inch series)

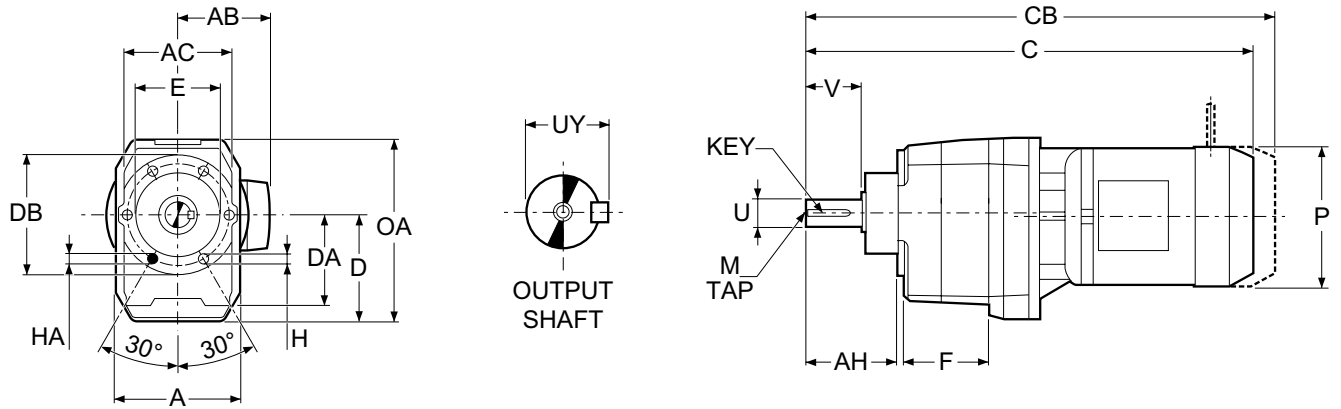
	U	UY	V	Key	M
C 21 2, C 21 3 NF	1.000 ±0.0005	1.110	2.000	1/4 x 1/4 x 1 3/4	M8x19 [mm]

Motor



	AB	C	CB	P	Weight [lbs / kg]
C 21 2_S05 M05	3.740 95	15.75 400	18.35 466	4.764 121	29 / 13
C 21 2_S1 M1S	4.252 108	15.91 404	18.39 467	5.433 138	29 / 13
C 21 2_S1 M1L	4.252 108	16.85 428	19.25 489	5.433 138	31 / 14
C 21 2_S2 M2S	4.685 119	17.99 457	20.75 527	6.142 156	42 / 19
C 21 2_S3 M3S	5.591 142	19.69 500	23.47 596	7.677 195	57 / 26
C 21 2_S3 M3L	5.591 142	20.95 532	24.53 623	7.677 195	71 / 32
C 21 3_S05 M05	3.740 95	17.89 454.5	20.49 520.5	4.764 121	27 / 12
C 21 3_S1 M1S	4.252 108	18.09 459.5	20.57 522.5	5.433 138	31 / 14
C 21 3_S1 M1L	4.252 108	19.04 483.5	21.44 544.5	5.433 138	33 / 15
C 21 3_S2 M2S	4.685 119	20.22 513.5	22.97 583.5	6.142 156	42 / 19
C 21 3_S3 M3S	5.591 142	21.91 556.5	25.69 652.5	7.677 195	57 / 26
C 21 3_S3 M3L	5.591 142	23.17 588.5	26.75 679.5	7.677 195	71 / 32

Dimensions are $\frac{\text{inch}}{\text{mm}}$



Gearcase

	A	AC	AH	D	DA	DB	E	F	H	HA	OA
C 21 2, C 21 3	4.331 110	3.543 90	3.189 81	3.622 92	3.012 76.5	4.134 105	2.756 70	2.815 71.5	M8x12.5 [mm]	M8x8.5 [mm]	6.220 158

Output shaft (Inch series)

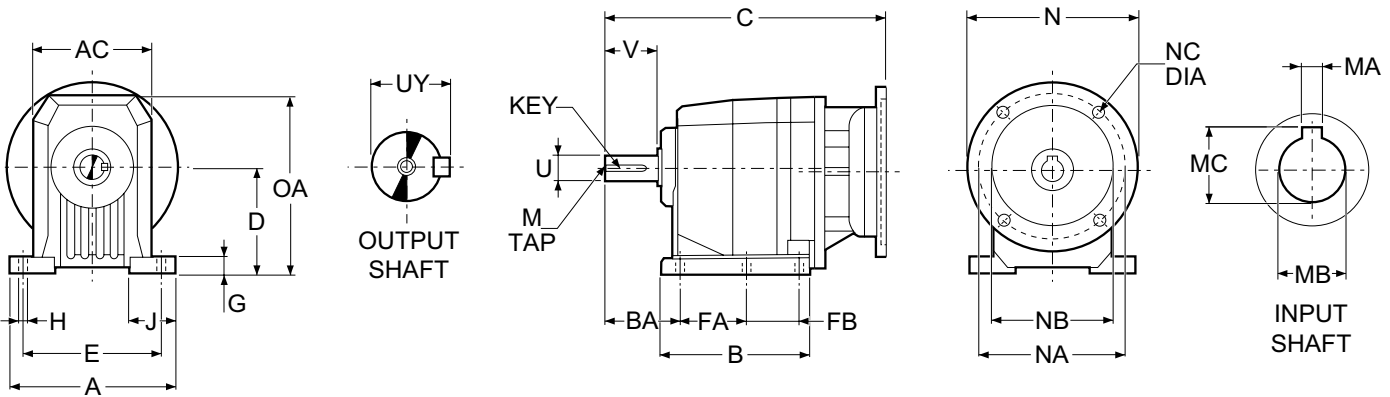
	U	UY	V	Key	M
C 21 2, C 21 3 NU	1.000 ⁺⁰ / _{-0.0005}	1.110	2.000	1/4 x 1/4 x 1 3/4	M8x19 [mm]

Motor



	AB	C	CB	P	Weight [lbs / kg]
C 21 2_S05 M05	3.740 95	15.75 400	18.35 466	4.764 121	29 / 13
C 21 2_S1 M1S	4.252 108	15.91 404	18.39 467	5.433 138	29 / 13
C 21 2_S1 M1L	4.252 108	16.85 428	19.25 489	5.433 138	31 / 14
C 21 2_S2 M2S	4.685 119	17.99 457	20.75 527	6.142 156	42 / 19
C 21 2_S3 M3S	5.591 142	19.69 500	23.47 596	7.677 195	57 / 26
C 21 2_S3 M3L	5.591 142	20.95 532	24.53 623	7.677 195	71 / 32
C 21 3_S05 M05	3.740 95	17.89 454.5	20.49 520.5	4.764 121	27 / 12
C 21 3_S1 M1S	4.252 108	18.09 459.5	20.57 522.5	5.433 138	31 / 14
C 21 3_S1 M1L	4.252 108	19.04 483.5	21.44 544.5	5.433 138	33 / 15
C 21 3_S2 M2S	4.685 119	20.22 513.5	22.97 583.5	6.142 156	42 / 19
C 21 3_S3 M3S	5.591 142	21.91 556.5	25.69 652.5	7.677 195	57 / 26
C 21 3_S3 M3L	5.591 142	23.17 588.5	26.75 679.5	7.677 195	71 / 32

Dimensions are $\frac{\text{inch}}{\text{mm}}$



Gearcase

	A	AC	B	BA	D	E	FA	FB	G	H	J	OA
C 21 2, C 21 3	6.102 155	4.331 110	5.394 137	2.677 68	3.937 100	5.118 130	2.362 60	1.870 47.5	0.669 17	0.433 11	1.772 45	6.535 166

Output shaft (Inch series)

	U	UY	V	Key	M
C 21 2, C 21 3 NP	1.000 ⁺⁰ _{-0.0005}	1.110	2.000	1/4 x 1/4 x 1 3/4	M8x19 [mm]

NEMA Flange



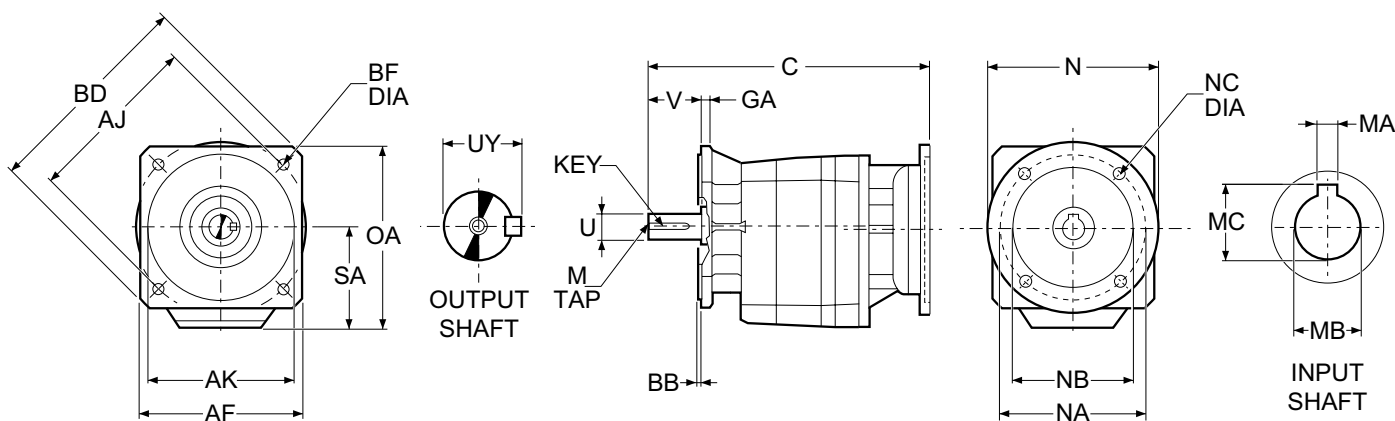
	N	NA	NB	NC	Weight [lbs / kg]
N56C	6.496	5.875	4.500	0.394	18 / 8
N140TC	6.496	5.875	4.500	0.394	20 / 9
N180TC	8.996	7.250	8.500	0.551	29 / 13

Hollow input shaft

	MA	MB	MC
N56C	0.188	0.625	0.710
N140TC	0.188	0.875	0.964
N180TC	0.250	1.125	1.241

	C		
	N56C	N140TC	N180TC
C 21 2	11.57 293.8	11.57 293.8	12.10 307.3
C 21 3	13.75 349.3	13.75 349.3	14.28 362.8

Dimensions are $\frac{\text{inch}}{\text{mm}}$



Gearcase

	SA	OA
C 21 2, C 21 3	3.701	6.161
	94	156.5

Flange

AF	AJ	AK	BB	BD	BF	GA
4.921	5.118	4.331	0.138	6.299	0.374	0.394
125	130	110	3.5	160	9.5	10

Output shaft (Inch series)

	U	UY	V	Key	M
C 21 2, C 21 3 NF	1.000 ⁺⁰ / _{-0.0005}	1.110	2.000	1/4 x 1/4 x 1 3/4	M8x19 [mm]

NEMA Flange

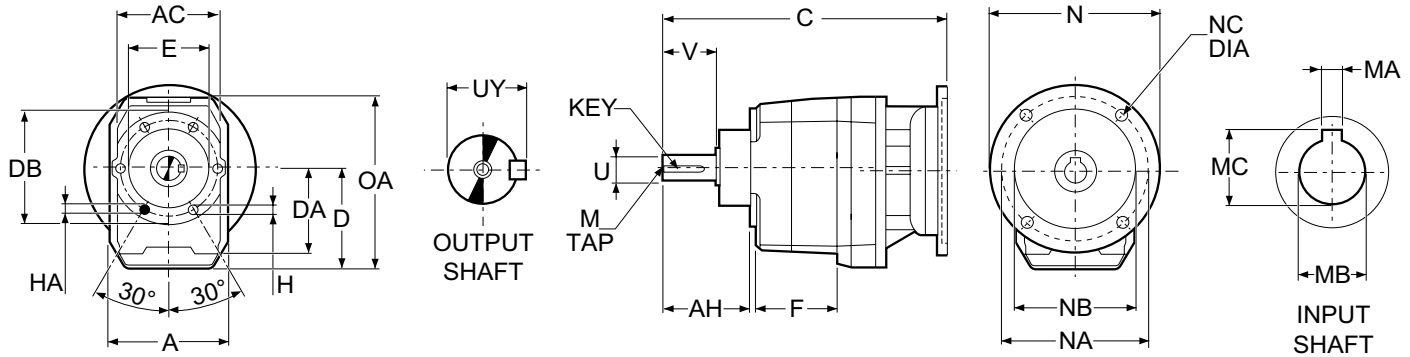
	N	NA	NB	NC	Weight [lbs / kg]
N56C	6.496	5.875	4.500	0.394	18 / 8
N140TC	6.496	5.875	4.500	0.394	20 / 9
N180TC	8.996	7.250	8.500	0.551	29 / 13

Hollow input shaft

	MA	MB	MC
N56C	0.188	0.625	0.710
N140TC	0.188	0.875	0.964
N180TC	0.250	1.125	1.241

	C		
	N56C	N140TC	N180TC
C 21 2	11.57	11.57	12.10
	293.8	293.8	307.3
C 21 3	13.75	13.75	14.28
	349.3	349.3	362.8

Dimensions are $\frac{\text{inch}}{\text{mm}}$



Gearcase

	A	AC	AH	D	DA	DB	E	F	H	HA	OA
C 21 2, C 21 3	4.331 110	3.543 90	3.189 81	3.622 92	3.012 76.5	4.134 105	2.756 70	2.815 71.5	M8x12.5 [mm]	M8x8.5 [mm]	6.220 158

Output shaft (Inch series)

	U	UY	V	Key	M
C 21 2, C 21 3 NU	1.000 ⁺⁰ _{-0.0005}	1.110	2.000	1/4 x 1/4 x 1 3/4	M8x19 [mm]

NEMA Flange



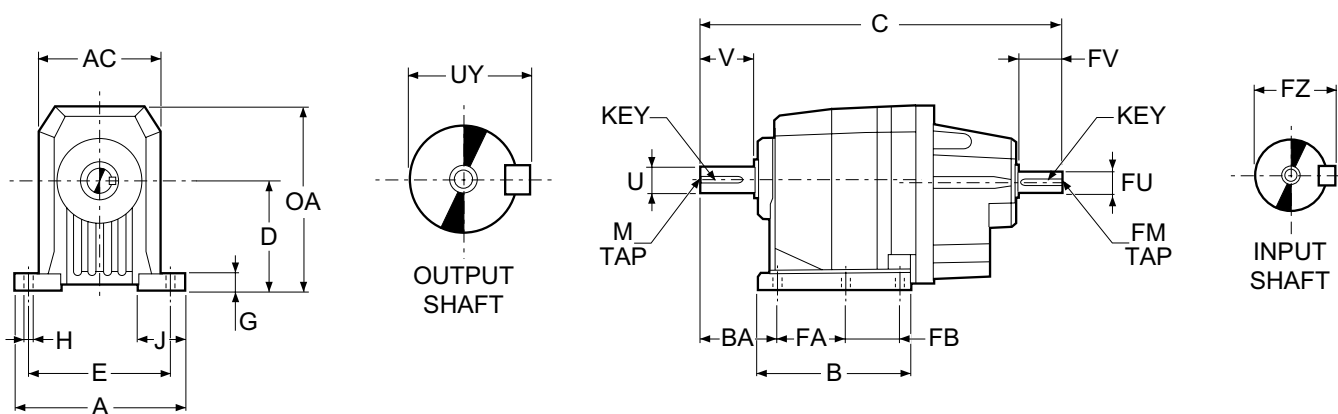
	N	NA	NB	NC	Weight [lbs / kg]
N56C	6.496	5.875	4.500	0.394	18 / 8
N140TC	6.496	5.875	4.500	0.394	20 / 9
N180TC	8.996	7.250	8.500	0.551	29 / 13

Hollow input shaft

	MA	MB	MC
N56C	0.188	0.625	0.710
N140TC	0.188	0.875	0.964
N180TC	0.250	1.125	1.241

	C		
	N56C	N140TC	N180TC
C 21 2	11.57 293.8	11.57 293.8	12.10 307.3
C 21 3	13.75 349.3	13.75 349.3	14.28 362.8

Dimensions are $\frac{\text{inch}}{\text{mm}}$



Gearcase

	A	AC	B	BA	C	D	E	FA	FB	G	H	J	OA
C 21 2	6.102	4.331	5.394	2.677	12.75	3.937	5.118	2.362	1.870	0.669	0.433	1.772	6.535
	155	110	137	68	323.8	100	130	60	47.5	17	11	45	166
C 21 3	6.102	4.331	5.394	2.677	13.23	3.937	5.118	2.362	1.870	0.669	0.433	1.772	6.535
	155	110	137	68	336.1	100	130	60	47.5	17	11	45	166

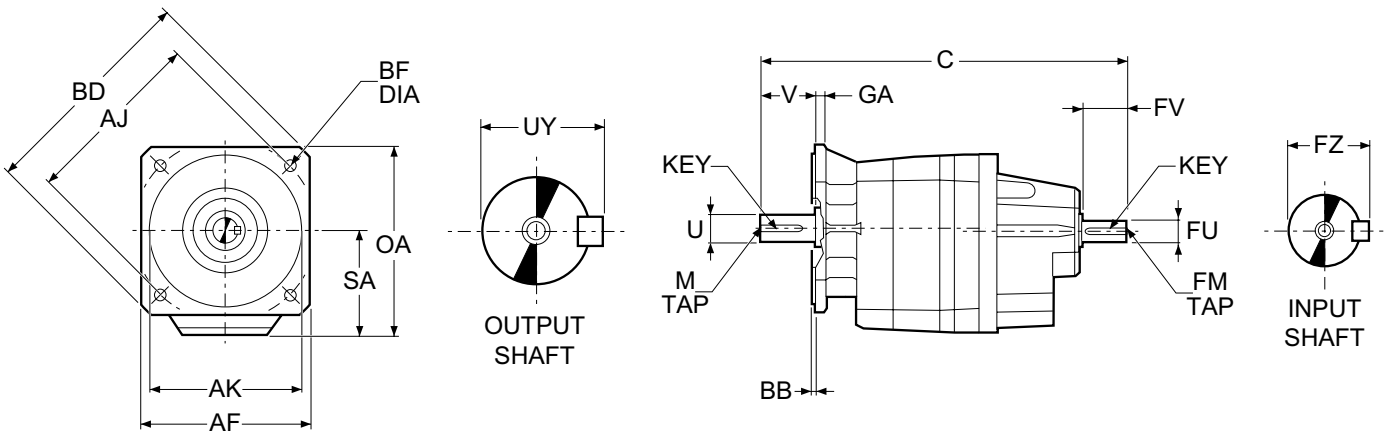
Output shaft (Inch series)

	U	UY	V	Key	M
C 21 2, C 21 3 NP	1.000 ⁺⁰ / _{-0.0005}	1.110	2.000	1/4 x 1/4 x 1 3/4	M8x19 [mm]

Input shaft (Inch series)

	FU	FZ	FV	Key	FM	Weight [lbs / kg]
C 21 2 NHS	0.750 ⁺⁰ / _{-0.0005}	0.830	1.570	3/16 x 3/16 x 1 3/8	M6x16 [mm]	16 / 7.2
C 21 3 NHS	0.625 ⁺⁰ / _{-0.0004}	0.710	1.570	3/16 x 3/16 x 1 3/8	M6x16 [mm]	16 / 7.5

Dimensions are $\frac{\text{inch}}{\text{mm}}$



Gearcase

	C	SA	OA
C 21 2	12.75	3.701	6.161
	323.8	94	156.5
C 21 3	13.23	3.701	6.161
	336.1	94	156.5

Flange

AF	AJ	AK	BB	BD	BF	GA
4.921	5.118	4.331	0.138	6.299	0.374	0.394
125	130	110	3.5	160	9.5	10
4.921	5.118	4.331	0.138	6.299	0.374	0.394
125	130	110	3.5	160	9.5	10

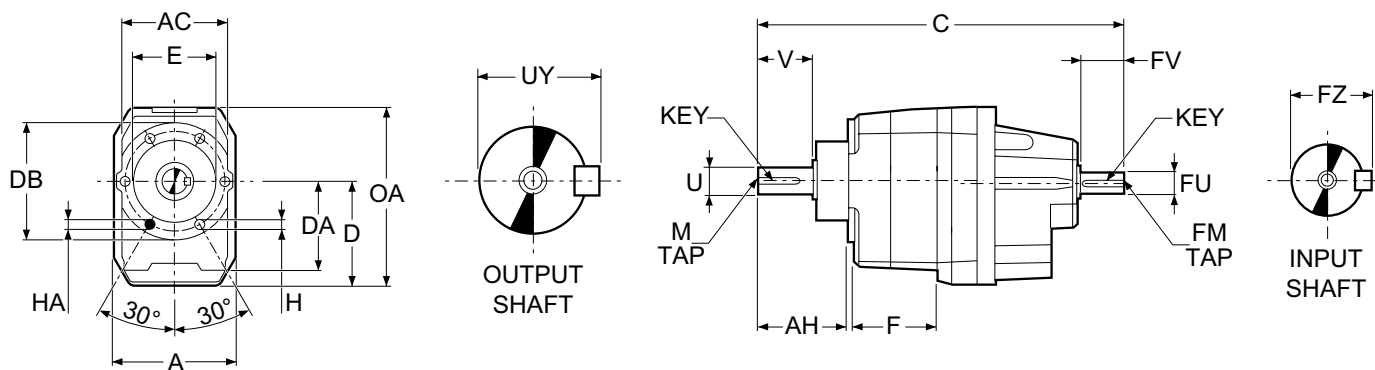
Output shaft (Inch series)

	U	UY	V	Key	M
C 21 2, C 21 3	NF	1.000	1.110	2.000	1/4 x 1/4 x 1 3/4
		⁺⁰ / _{-0.0005}			M8x19 [mm]

Input shaft (Inch series)

	FU	FZ	FV	Key	FM	Weight [lbs / kg]	
C 21 2	NHS	0.750	0.830	1.570	3/16 x 3/16 x 1 3/8	M6x16 [mm]	15 / 6.9
C 21 3	NHS	0.625	0.710	1.570	3/16 x 3/16 x 1 3/8	M6x16 [mm]	16 / 7.2
		⁺⁰ / _{-0.0005}					
		⁺⁰ / _{-0.0004}					





Gearcase

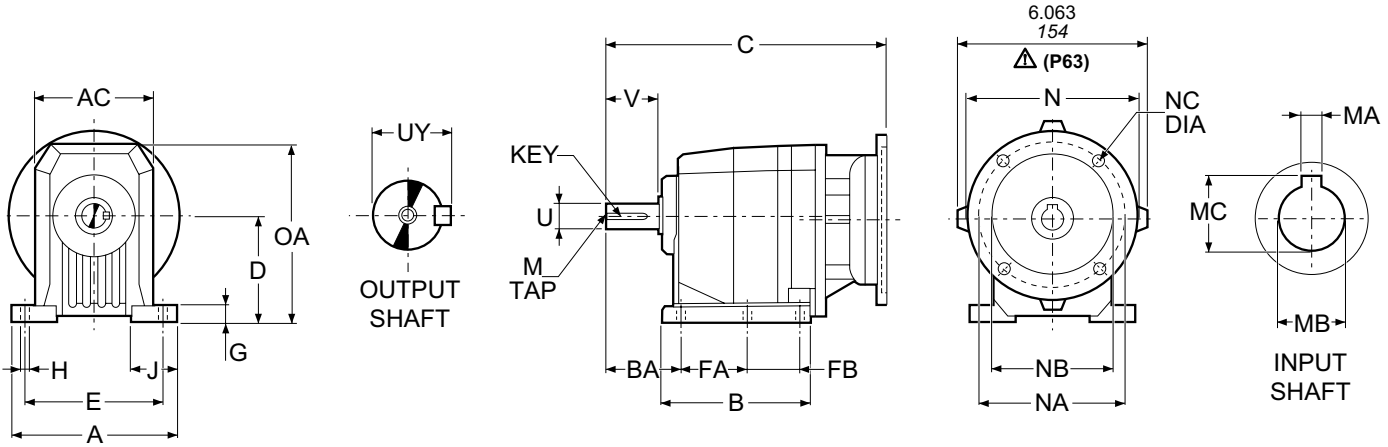
	A	AC	AH	C	D	DA	DB	E	F	H	HA	OA
C 21 2	4.331	3.543	3.189	12.75	3.622	3.012	4.134	2.756	2.815	M8x12.5 [mm]	M8x8.5 [mm]	6.220
	110	90	81	323.8	92	76.5	105	70	71.5			
C 21 3	4.331	3.543	3.189	13.23	3.622	3.012	4.134	2.756	2.815	M8x12.5 [mm]	M8x8.5 [mm]	6.220
	110	90	81	336.1	92	76.5	105	70	71.5			

Output shaft (Inch series)

	U	UY	V	Key	M
C 21 2, C 21 3 NU	1.000 ⁺⁰ / _{-0.0005}	1.110	2.000	1/4 x 1/4 x 1 3/4	M8x19 [mm]

Input shaft (Inch series)

	FU	FZ	FV	Key	FM	Weight [lbs / kg]
C 21 2 NHS	0.750 ⁺⁰ / _{0.0005}	0.830	1.570	3/16 x 3/16 x 1 3/8	M6x16 [mm]	15 / 6.7
C 21 3 NHS	0.625 ⁺⁰ / _{0.0004}	0.710	1.570	3/16 x 3/16 x 1 3/8	M6x16 [mm]	15 / 7.0



Gearcase

	A	AC	B	BA	D	E	FA	FB	G	H	J	OA
C 21 2, C 21 3	6.102 155	4.331 110	5.394 137	2.677 68	3.937 100	5.118 130	2.362 60	1.870 47.5	0.669 17	0.433 11	1.772 45	6.535 166

Output shaft (Inch series)

	U	UY	V	Key	M
C 21 2, C 21 3 NP	1.000 ⁺⁰ _{-0.0005}	1.110	2.000	1/4 x 1/4 x 1 3/4	M8x19 [mm]

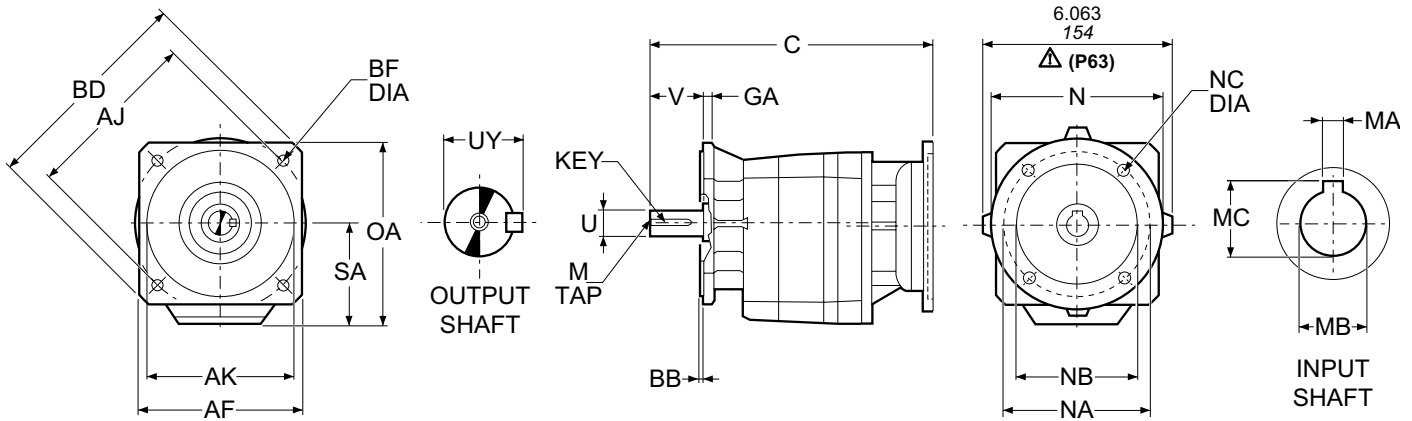
IEC Flange

	N	NA	NB	NC	Weight [lbs / kg]
P63	140	115	95	M8x19	18 / 8
P71	160	130	110	M8x16	18 / 8
P80, P90	200	165	130	M10x12	20 / 9
P100, P112	250	215	180	M12x16	29 / 13

Hollow input shaft

	MA	MB	MC
P63	4	11	12.8
P71	5	14	16.3
P80	6	19	21.8
P90	8	24	27.3
P100, P112	8	28	31.3

	C		
	P63 P71	P80 P90	P100 P112
C 21 2	10.75 273	11.52 292.5	11.91 302.5
C 21 3	12.93 328.5	13.70 348	14.09 358



Gearcase

	SA	OA
C 21 2, C 21 3	3.701 94	6.161 156.5

Flange

AF	AJ	AK	BB	BD	BF	GA
4.921 125	5.118 130	4.331 110	-0.0014 -0.0028 -0.036 -0.071	0.138 3.5	6.299 160	0.374 9.5

Output shaft (Inch series)

	U	UY	V	Key	M
C 21 2, C 21 3 NF	1.000 ⁺⁰ / _{-0.0005}	1.110	2.000	1/4 x 1/4 x 1 3/4	M8x19 [mm]

IEC Flange

	N	NA	NB	NC	Weight [lbs / kg]
P63	140	115	95	M8x19	18 / 8
P71	160	130	110	M8x16	18 / 8
P80, P90	200	165	130	M10x12	20 / 9
P100, P112	250	215	180	M12x16	29 / 13

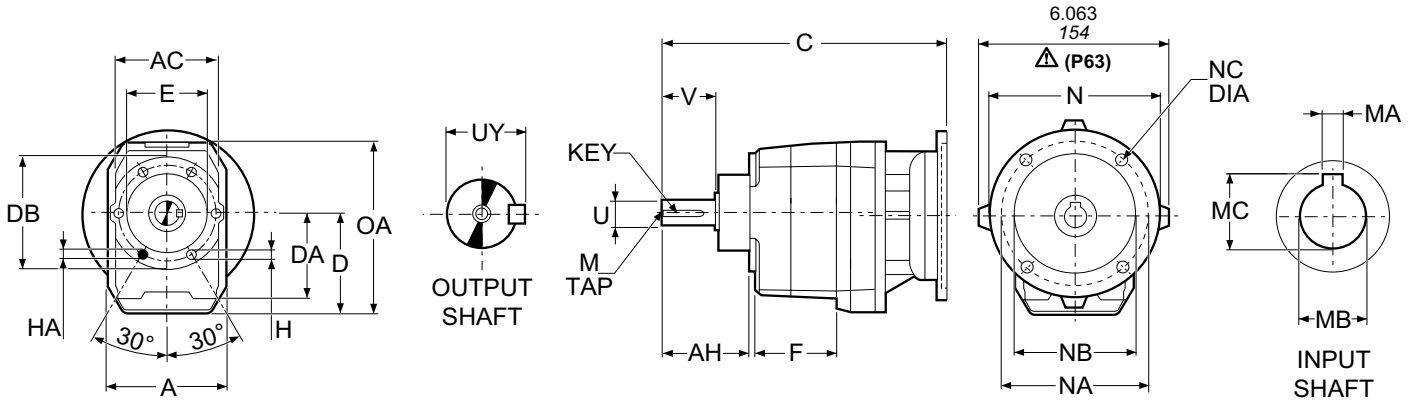


Hollow input shaft

	MA	MB	MC
P63	4	11	12.8
P71	5	14	16.3
P80	6	19	21.8
P90	8	24	27.3
P100, P112	8	28	31.3

	C		
	P63 P71	P80 P90	P100 P112
C 21 2	10.75 273	11.52 292.5	11.91 302.5
C 21 3	12.93 328.5	13.70 348	14.09 358

Dimensions are $\frac{\text{inch}}{\text{mm}}$



Gearcase

	A	AC	AH	D	DA	DB	E	F	H	HA	OA
C 21 2, C 21 3	4.331 110	3.543 90	3.189 81	3.622 92	3.012 76.5	4.134 105	2.756 70	2.815 71.5	M8x12.5 [mm]	M8x8.5 [mm]	6.220 158

Output shaft (Inch series)

	U	UY	V	Key	M
C 21 2, C 21 3 NU	1.000 ⁺⁰ _{-0.0005}	1.110	2.000	1/4 x 1/4 x 1 3/4	M8x19 [mm]

IEC Flange



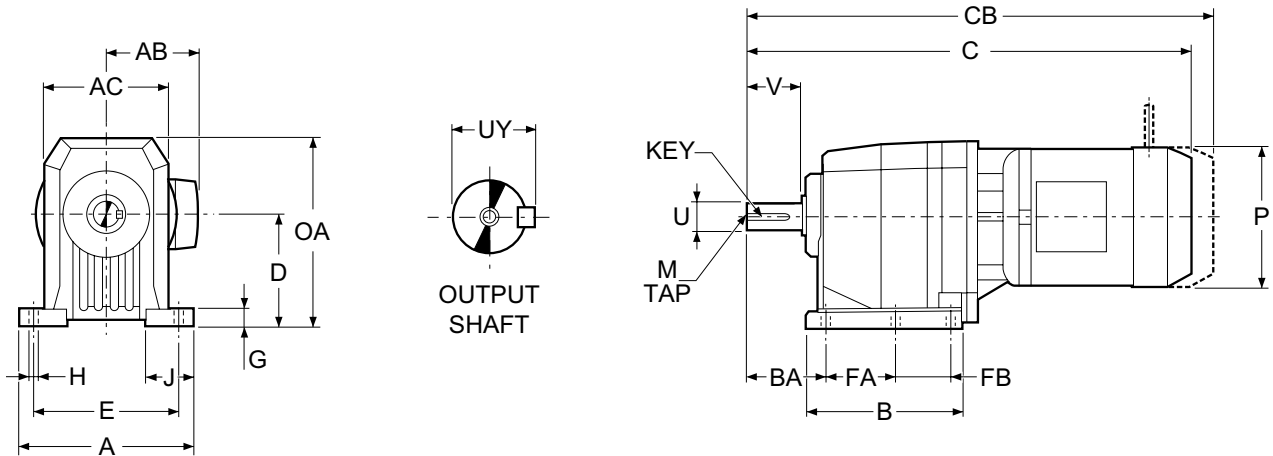
	N	NA	NB	NC	Weight [lbs / kg]
P63	140	115	95	M8x19	18 / 8
P71	160	130	110	M8x16	18 / 8
P80, P90	200	165	130	M10x12	20 / 9
P100, P112	250	215	180	M12x16	29 / 13

Hollow input shaft

	MA	MB	MC
P63	4	11	12.8
P71	5	14	16.3
P80	6	19	21.8
P90	8	24	27.3
P100, P112	8	28	31.3

	C		
	P63 P71	P80 P90	P100 P112
C 21 2	10.75 273	11.52 292.5	11.91 302.5
C 21 3	12.93 328.5	13.70 348	14.09 358

Dimensions are $\frac{\text{inch}}{\text{mm}}$



Gearcase

	A	AC	B	BA	D	E	FA	FB	G	H	J	OA
C 31 2, C 31 3	7.480 190	5.118 130	6.142 156	3.071 78	4.331 110	6.299 160	2.756 70	2.362 60	0.787 20	0.433 11	2.087 53	7.126 181

Output shaft (Inch series)

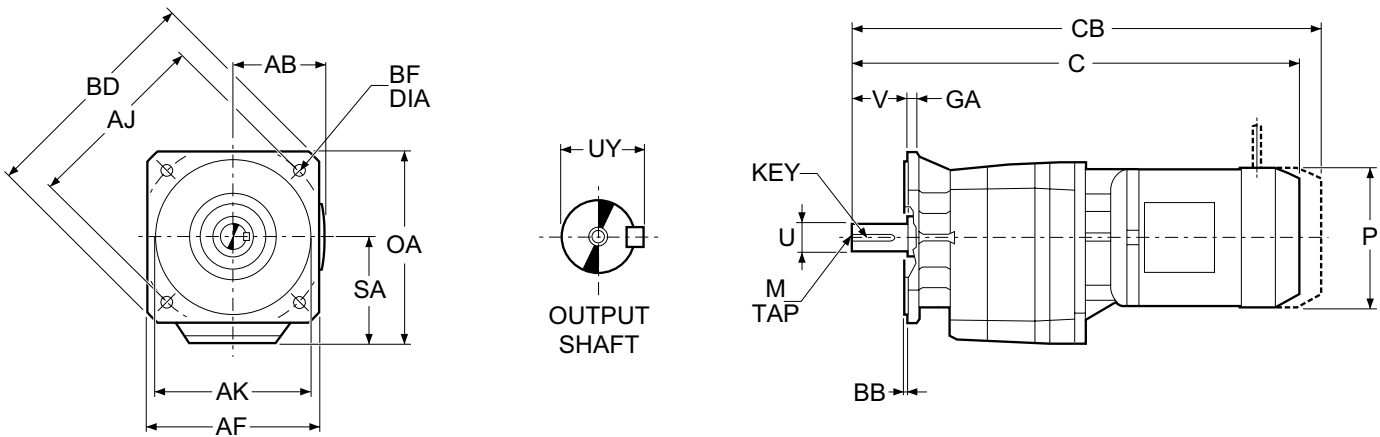
	U	UY	V	Key	M
C 31 2, C 31 3 NP	1.125 ⁺⁰ _{-0.0005}	1.230	2.375	1/4 x 1/4 x 2 5/32	M10x22 [mm]

Motor



	AB	C	CB	P	Weight [lbs / kg]
C 31 2_S1 M1S	4.252 108	17.26 438.5	19.74 501.5	5.433 138	33 / 15
C 31 2_S1 M1L	4.252 108	18.21 462.5	20.61 523.5	5.433 138	35 / 16
C 31 2_S2 M2S	4.685 119	19.35 491.5	22.11 561.5	6.142 156	46 / 21
C 31 2_S3 M3S	5.591 142	21.04 534.5	24.82 630.5	7.677 195	62 / 28
C 31 2_S3 M3L	5.591 142	22.30 566.5	25.89 657.5	7.677 195	82 / 37
C 31 3_S05 M05	3.740 95	19.33 491	21.93 557	4.764 121	33 / 15
C 31 3_S1 M1S	4.252 108	19.53 496	22.01 559	5.433 138	35 / 16
C 31 3_S1 M1L	4.252 108	20.47 520	22.87 581	5.433 138	38 / 17
C 31 3_S2 M2S	4.685 119	21.61 549	24.37 619	6.142 156	46 / 21
C 31 3_S3 M3S	5.591 142	23.33 592.5	27.11 688.5	7.677 195	62 / 28
C 31 3_S3 M3L	5.591 142	24.59 624.5	28.17 715.5	7.677 195	82 / 37

Dimensions are $\frac{\text{inch}}{\text{mm}}$



Gearcase

	SA	OA
C 31 2, C 31 3	4.252	7.205
	108	183

Flange

AF	AJ	AK	BB	BD	BF	GA
5.906	6.496	5.118	0.138	7.874	0.453	0.472
150	165	130	3.5	200	11.5	12

Output shaft (Inch series)

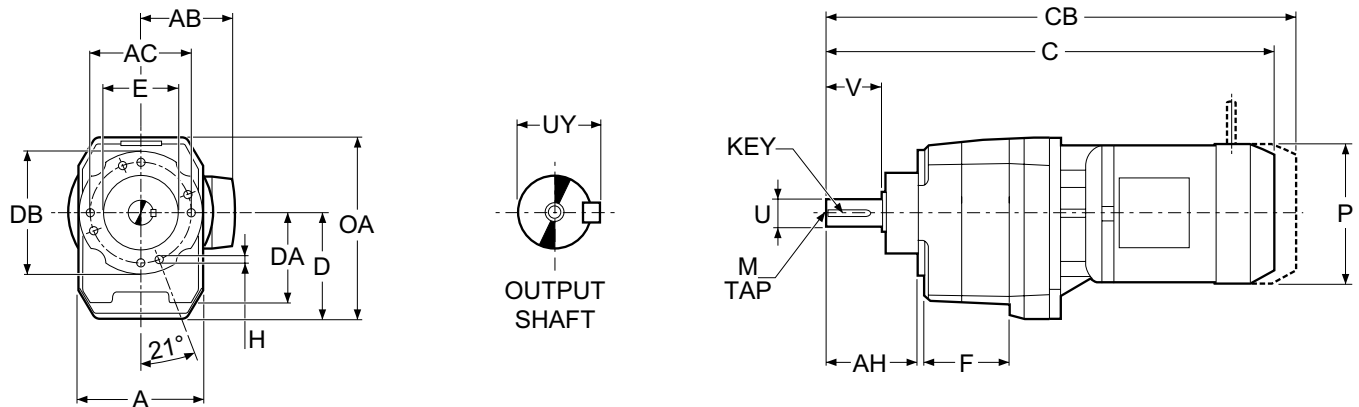
	U	UY	V	Key	M
C 31 2, C 31 3 NF	1.125 ⁺⁰ / _{-0.0005}	1.230	2.375	1/4 x 1/4 x 2 5/32	M10x22 [mm]

Motor



	AB	C	CB	P	Weight [lbs / kg]
C 31 2_S1 M1S	4.252 108	17.26 438.5	19.74 501.5	5.433 138	33 / 15
C 31 2_S1 M1L	4.252 108	18.21 462.5	20.61 523.5	5.433 138	35 / 16
C 31 2_S2 M2S	4.685 119	19.35 491.5	22.11 561.5	6.142 156	46 / 21
C 31 2_S3 M3S	5.591 142	21.04 534.5	24.82 630.5	7.677 195	62 / 28
C 31 2_S3 M3L	5.591 142	22.30 566.5	25.89 657.5	7.677 195	82 / 37
C 31 3_S05 M05	3.740 95	19.33 491	21.93 557	4.764 121	33 / 15
C 31 3_S1 M1S	4.252 108	19.53 496	22.01 559	5.433 138	35 / 16
C 31 3_S1 M1L	4.252 108	20.47 520	22.87 581	5.433 138	38 / 17
C 31 3_S2 M2S	4.685 119	21.61 549	24.37 619	6.142 156	46 / 21
C 31 3_S3 M3S	5.591 142	23.33 592.5	27.11 688.5	7.677 195	62 / 28
C 31 3_S3 M3L	5.591 142	24.59 624.5	28.17 715.5	7.677 195	82 / 37

Dimensions are $\frac{\text{inch}}{\text{mm}}$

**Gearcase**

	A	AC	AH	D	DA	DB	E	F	H	OA
C 31 2, C 31 3	5.118 130	3.937 100	3.780 96	4.252 108	3.484 88.5	4.724 120	3.150 80	3.425 87	M8x15 [mm]	7.047 179

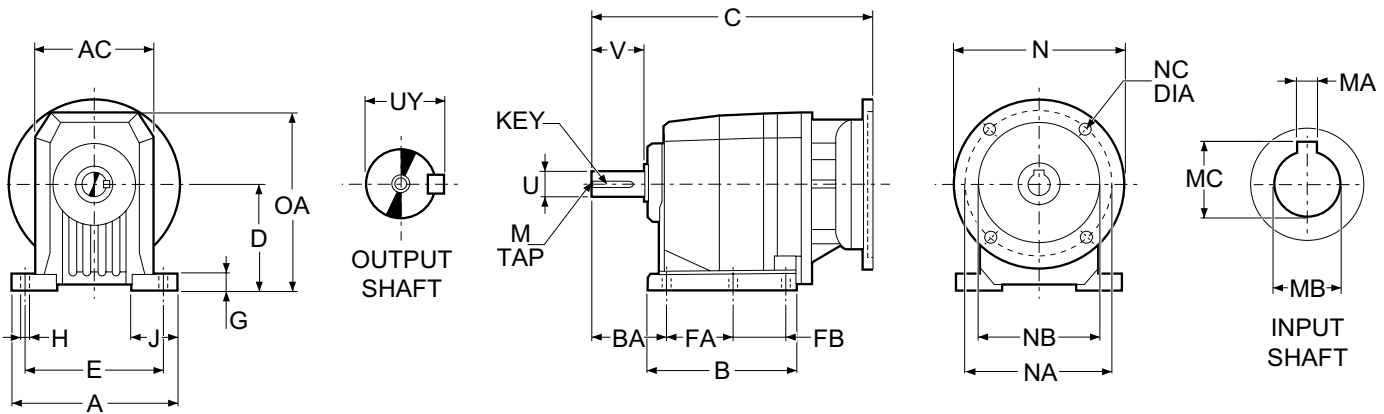
Output shaft (Inch series)

	U	UY	V	Key	M
C 31 2, C 31 3 NU	1.125 ⁺⁰ _{-0.0005}	1.230	2.375	1/4 x 1/4 x 2 5/32	M10x22 [mm]

Motor

	AB	C	CB	P	Weight [lbs / kg]
C 31 2_S1 M1S	4.252 108	17.26 438.5	19.74 501.5	5.433 138	33 / 15
C 31 2_S1 M1L	4.252 108	18.21 462.5	20.61 523.5	5.433 138	35 / 16
C 31 2_S2 M2S	4.685 119	19.35 491.5	22.11 561.5	6.142 156	46 / 21
C 31 2_S3 M3S	5.591 142	21.04 534.5	24.82 630.5	7.677 195	62 / 28
C 31 2_S3 M3L	5.591 142	22.30 566.5	25.89 657.5	7.677 195	82 / 37
C 31 3_S05 M05	3.740 95	19.33 491	21.93 557	4.764 121	33 / 15
C 31 3_S1 M1S	4.252 108	19.53 496	22.01 559	5.433 138	35 / 16
C 31 3_S1 M1L	4.252 108	20.47 520	22.87 581	5.433 138	38 / 17
C 31 3_S2 M2S	4.685 119	21.61 549	24.37 619	6.142 156	46 / 21
C 31 3_S3 M3S	5.591 142	23.33 592.5	27.11 688.5	7.677 195	62 / 28
C 31 3_S3 M3L	5.591 142	24.59 624.5	28.17 715.5	7.677 195	82 / 37

Dimensions are $\frac{\text{inch}}{\text{mm}}$



Gearcase

	A	AC	B	BA	D	E	FA	FB	G	H	J	OA
C 31 2, C 31 3	7.480 190	5.118 130	6.142 156	3.071 78	4.331 110	6.299 160	2.756 70	2.362 60	0.787 20	0.433 11	2.087 53	7.126 181

Output shaft (Inch series)

	U	UY	V	Key	M
C 31 2, C 31 3 NP	1.125 ⁺⁰ _{-0.0005}	1.230	2.375	1/4 x 1/4 x 2 5/32	M10x22 [mm]

NEMA Flange



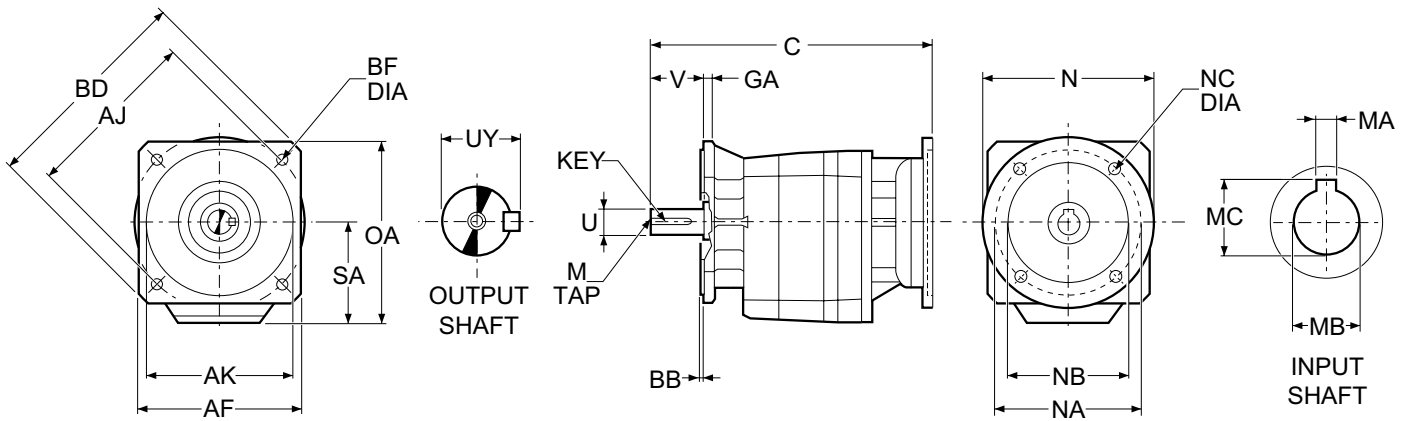
	N	NA	NB	NC	Weight [lbs / kg]
N56C	6.496	5.875	4.500	0.394	22 / 10
N140TC	6.496	5.875	4.500	0.394	24 / 11
N180TC	8.996	7.250	8.500	0.551	33 / 15

Hollow input shaft

	MA	MB	MC
N56C	0.188	0.625	0.710
N140TC	0.188	0.875	0.964
N180TC	0.250	1.125	1.241

	C		
	N56C	N140TC	N180TC
C 31 2	12.89 327.5	12.89 327.5	13.39 340
C 31 3	15.16 385	15.16 385	15.69 398.5

Dimensions are $\frac{\text{inch}}{\text{mm}}$



Gearcase

	SA	OA
C 31 2, C 31 3	4.252	7.205
	108	183

Flange

AF	AJ	AK	BB	BD	BF	GA
5.906	6.496	5.118	0.138	7.874	0.453	0.472
150	165	130	3.5	200	11.5	12

Output shaft (Inch series)

	U	UY	V	Key	M
C 31 2, C 31 3 NF	1.125 ⁺⁰ / _{-0.0005}	1.230	2.375	1/4 x 1/4 x 2 5/32	M10x22 [mm]

NEMA Flange



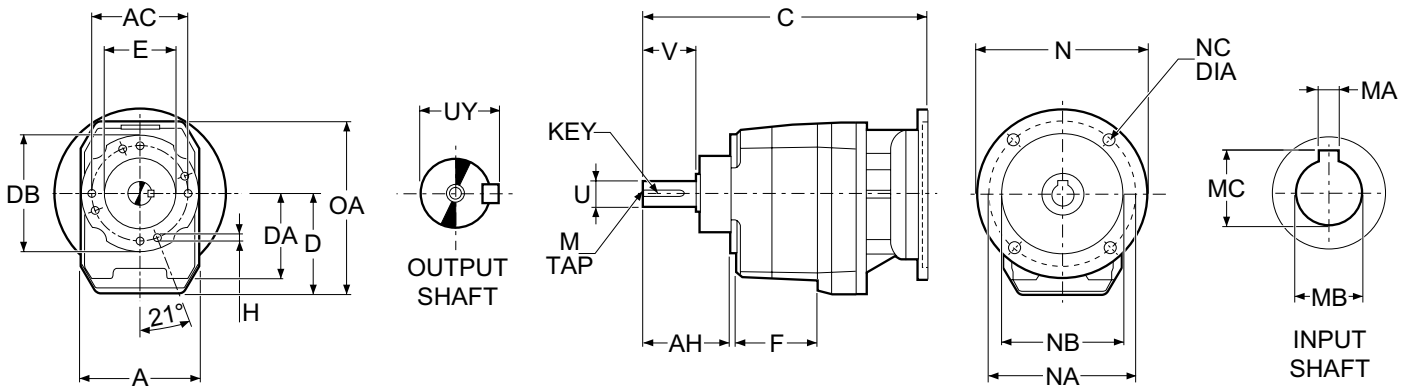
	N	NA	NB	NC	Weight [lbs / kg]
N56C	6.496	5.875	4.500	0.394	22 / 10
N140TC	6.496	5.875	4.500	0.394	24 / 11
N180TC	8.996	7.250	8.500	0.551	33 / 15

Hollow input shaft

	MA	MB	MC
N56C	0.188	0.625	0.710
N140TC	0.188	0.875	0.964
N180TC	0.250	1.125	1.241

	C		
	N56C	N140TC	N180TC
C 31 2	12.89	12.89	13.39
	327.5	327.5	340
C 31 3	15.16	15.16	15.69
	385	385	398.5

Dimensions are $\frac{\text{inch}}{\text{mm}}$



Gearcase

	A	AC	AH	D	DA	DB	E	F	H	OA
C 31 2, C 31 3	5.118 130	3.937 100	3.780 96	4.252 108	3.484 88.5	4.724 120	3.150 80	3.425 87	M8x15 [mm]	7.047 179

Output shaft (Inch series)

	U	UY	V	Key	M
C 31 2, C 31 3	NU 1.125 ± 0.0005	1.230	2.375	1/4 x 1/4 x 2 5/32	M10x22 [mm]

NEMA Flange



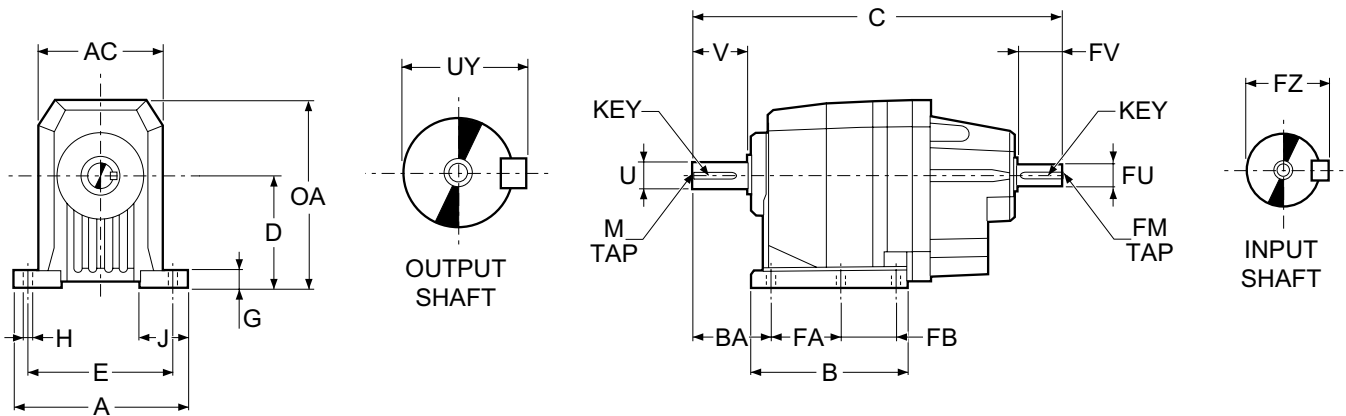
	N	NA	NB	NC	Weight [lbs / kg]
N56C	6.496	5.875	4.500	0.394	22 / 10
N140TC	6.496	5.875	4.500	0.394	24 / 11
N180TC	8.996	7.250	8.500	0.551	33 / 15

Hollow input shaft

	MA	MB	MC
N56C	0.188	0.625	0.710
N140TC	0.188	0.875	0.964
N180TC	0.250	1.125	1.241

	C		
	N56C	N140TC	N180TC
C 31 2	12.89 327.5	12.89 327.5	13.39 340
C 31 3	15.16 385	15.16 385	15.69 398.5

Dimensions are $\frac{\text{inch}}{\text{mm}}$



Gearcase

	A	AC	B	BA	C	D	E	FA	FB	G	H	J	OA
C 31 2	7.480	5.118	6.142	3.071	14.09	4.331	6.299	2.756	2.362	0.787	0.433	2.087	7.126
	190	130	156	78	357.8	110	160	70	60	20	11	53	181
C 31 3	7.480	5.118	6.142	3.071	14.65	4.331	6.299	2.756	2.362	0.787	0.433	2.087	7.126
	190	130	156	78	372.1	110	160	70	60	20	11	53	181

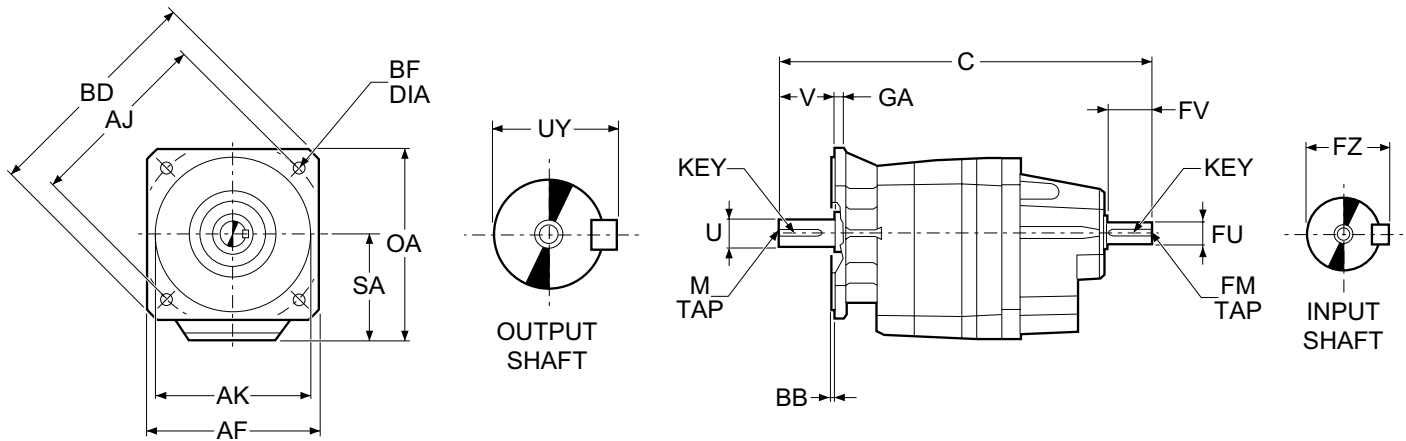
Output shaft (Inch series)

	U	UY	V	Key	M
C 31 2, C 31 3 NP	1.125 ⁺⁰ / _{-0.0005}	1.230	2.375	1/4 x 1/4 x 2 5/32	M10x22 [mm]

Input shaft (Inch series)

	FU	FZ	FV	Key	FM	Weight [lbs / kg]
C 31 2 NHS	0.750 ⁺⁰ / _{-0.0005}	0.830	1.570	3/16 x 3/16 x 1 3/8	M6x16 [mm]	24 / 11.1
C 31 3 NHS	0.625 ⁺⁰ / _{-0.0004}	0.710	1.570	3/16 x 3/16 x 1 3/8	M6x16 [mm]	23 / 10.6





Gearcase

	C	SA	OA
C 31 2	14.09	4.252	7.205
	357.8	108	183
C 31 3	14.65	4.252	7.205
	372.1	108	183

Flange

AF	AJ	AK	BB	BD	BF	GA
5.906	6.496	5.118 -0.0017 -0.0033	0.138	7.874	0.453	0.472
150	165	130 -0.043 -0.063	3.5	200	11.5	12
5.906	6.496	5.118 -0.0017 -0.0033	0.138	7.874	0.453	0.472
150	165	130 -0.043 -0.063	3.5	200	11.5	12

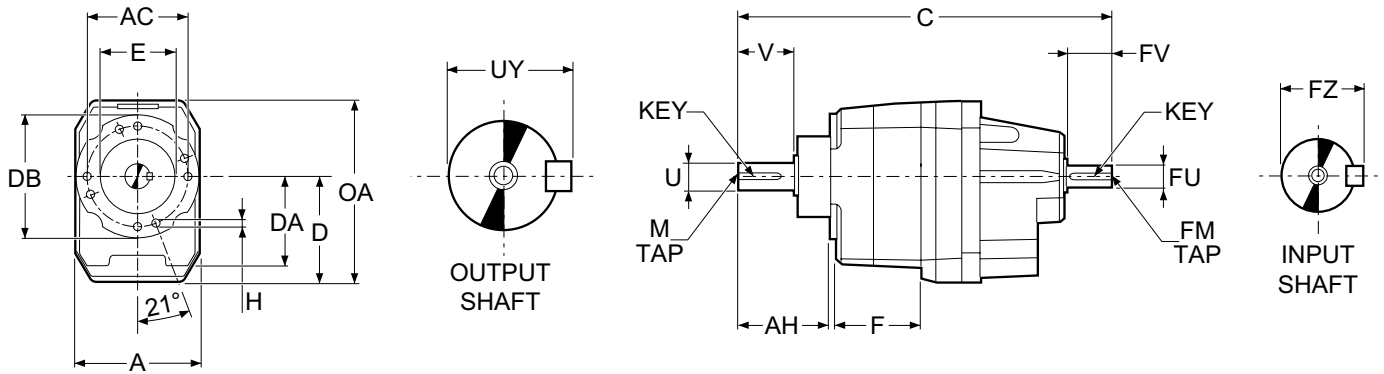
Output shaft (Inch series)

	U	UY	V	Key	M
C 31 2, C 31 3	NF 1.125 ⁺⁰ _{-0.0005}	1.230	2.375	1/4 x 1/4 x 2 5/32	M10x22 [mm]

Input shaft (Inch series)

	FU	FZ	FV	Key	FM	Weight [lbs / kg]
C 31 2	NHS 0.750 ⁺⁰ _{-0.0005}	0.830	1.570	3/16 x 3/16 x 1 3/8	M6x16 [mm]	26 / 11.8
C 31 3	NHS 0.625 ⁺⁰ _{-0.0004}	0.710	1.570	3/16 x 3/16 x 1 3/8	M6x16 [mm]	23 / 10.3





Gearcase

	A	AC	AH	C	D	DA	DB	E	F	H	OA
C 31 2	5.118	3.937	3.780	14.09	4.252	3.484	4.724	3.150	3.425	M8x15 [mm]	7.047
	130	100	96	357.8	108	88.5	120	80	87		179
C 31 3	5.118	3.937	3.780	14.65	4.252	3.484	4.724	3.150	3.425	M8x15 [mm]	7.047
	130	100	96	372.1	108	88.5	120	80	87		179

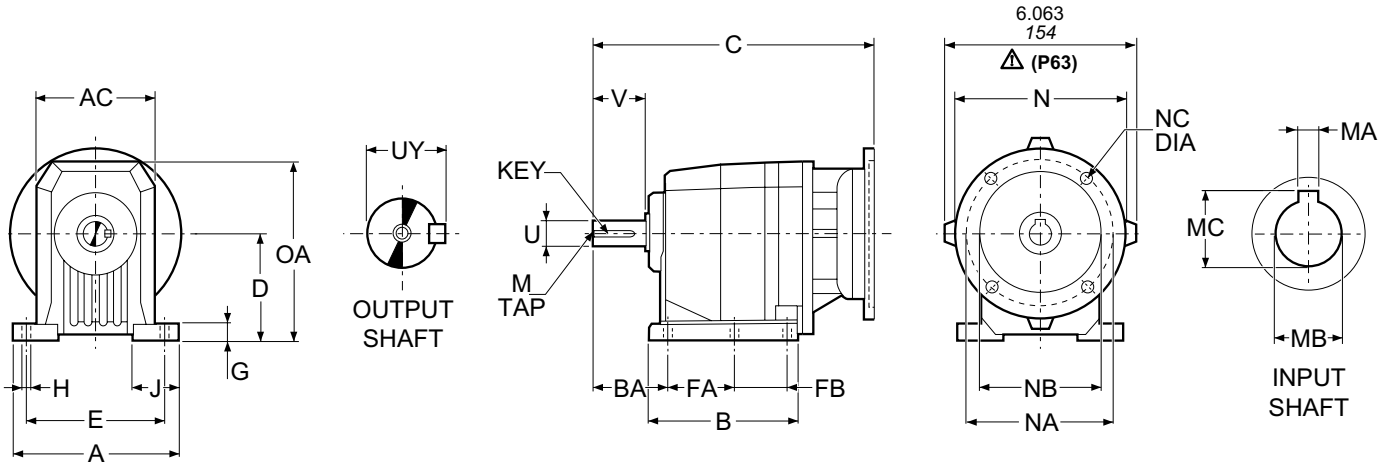
Output shaft (Inch series)

	U	UY	V	Key	M
C 31 2, C 31 3 NU	1.125 ⁺⁰ / _{-0.0005}	1.230	2.375	1/4 x 1/4 x 2 5/32	M10x22 [mm]

Input shaft (Inch series)

	FU	FZ	FV	Key	FM	Weight [lbs / kg]
C 31 2 NHS	0.750 ⁺⁰ / _{-0.0005}	0.830	1.570	3/16 x 3/16 x 1 3/8	M6x16 [mm]	23 / 10.5
C 31 3 NHS	0.625 ⁺⁰ / _{-0.0004}	0.710	1.570	3/16 x 3/16 x 1 3/8	M6x16 [mm]	22 / 10.0





Gearcase

	A	AC	B	BA	D	E	FA	FB	G	H	J	OA
C 31 2, C 31 3	7.480	5.118	6.142	3.071	4.331	6.299	2.756	2.362	0.787	0.433	2.087	7.126
	190	130	156	78	110	160	70	60	20	11	53	181

Output shaft (Inch series)

Model	U	UY	V	Key	M
C 31 2, C 31 3 NP	1.125 ⁺⁰ / _{-0.0005}	1.230	2.375	1/4 x 1/4 x 2 5/32	M10x22 [mm]

IEC Flange

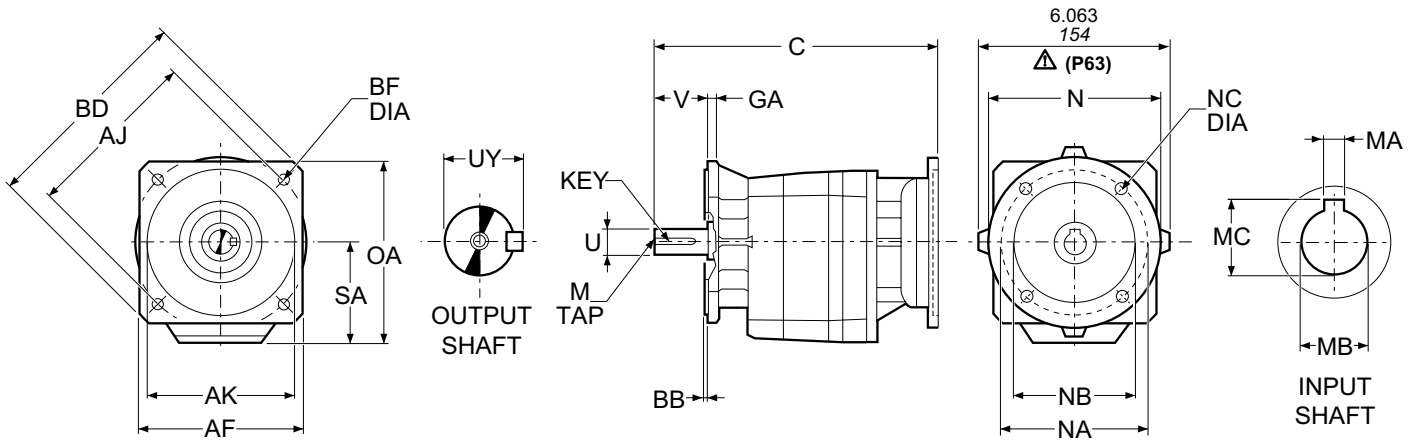
	N	NA	NB	NC	Weight [lbs / kg]
P63	140	115	95	M8x19	22 / 10
P71	160	130	110	M8x16	22 / 10
P80, P90	200	165	130	M10x12	24 / 11
P100, P112	250	215	180	M12x16	33 / 15

Hollow input shaft

	MA	MB	MC
P63	4	11	12.8
P71	5	14	16.3
P80	6	19	21.8
P90	8	24	27.3
P100, P112	8	28	31.3

	C		
	P63 P71	P80 P90	P100 P112
C 31 2	12.11 307.5	12.88 327	13.27 337
C 31 3	14.37 365	15.14 384.5	15.53 394.5

Dimensions are $\frac{\text{inch}}{\text{mm}}$



Gearcase

	SA	OA
C 31 2, C 31 3	4.252	7.205
	108	183

Flange

AF	AJ	AK	BB	BD	BF	GA
5.906	6.496	5.118	0.138	7.874	0.453	0.472
150	165	130	3.5	200	11.5	12

Output shaft (Inch series)

	U	UY	V	Key	M
C 31 2, C 31 3 NF	1.125 ⁺⁰ / _{-0.0005}	1.230	2.375	1/4 x 1/4 x 2 5/32	M10x22 [mm]

IEC Flange

	N	NA	NB	NC	Weight [lbs / kg]
P63	140	115	95	M8x19	22 / 10
P71	160	130	110	M8x16	22 / 10
P80, P90	200	165	130	M10x12	24 / 11
P100, P112	250	215	180	M12x16	33 / 15

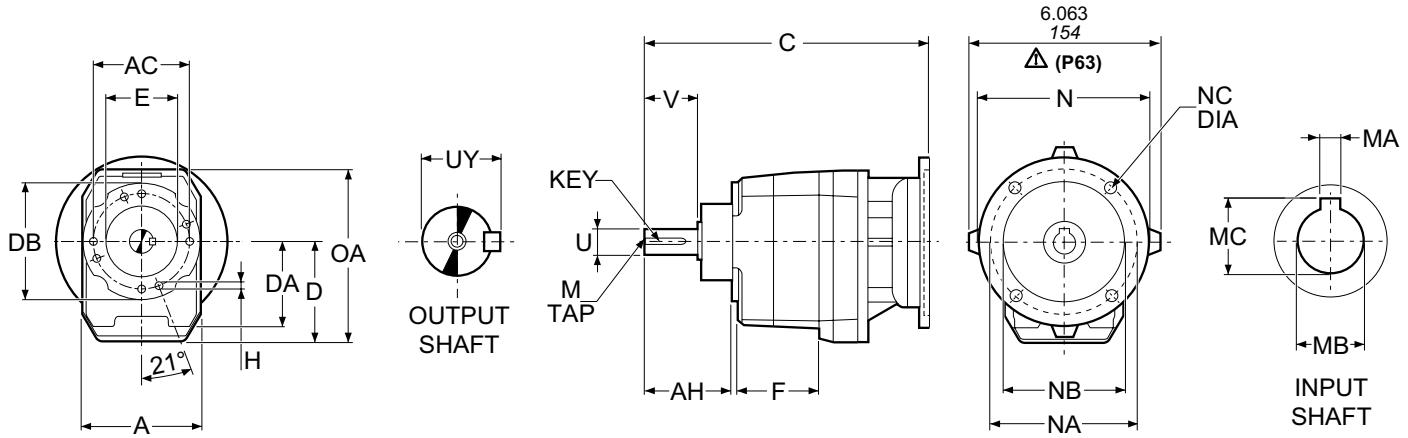


Hollow input shaft

	MA	MB	MC
P63	4	11	12.8
P71	5	14	16.3
P80	6	19	21.8
P90	8	24	27.3
P100, P112	8	28	31.3

	C		
	P63 P71	P80 P90	P100 P112
C 31 2	12.11 307.5	12.88 327	13.27 337
C 31 3	14.37 365	15.14 384.5	15.53 394.5

Dimensions are $\frac{\text{inch}}{\text{mm}}$



Gearcase

	A	AC	AH	D	DA	DB	E	F	H	OA
C 31 2, C 31 3	5.118 130	3.937 100	3.780 96	4.252 108	3.484 88.5	4.724 120	3.150 80	3.425 87	M8x15 [mm]	7.047 179

Output shaft (Inch series)

	U	UY	V	Key	M
C 31 2, C 31 3	NU 1.125 ⁺⁰ / _{-0.0005}	1.230	2.375	1/4 x 1/4 x 2 5/32	M10x22 [mm]

IEC Flange

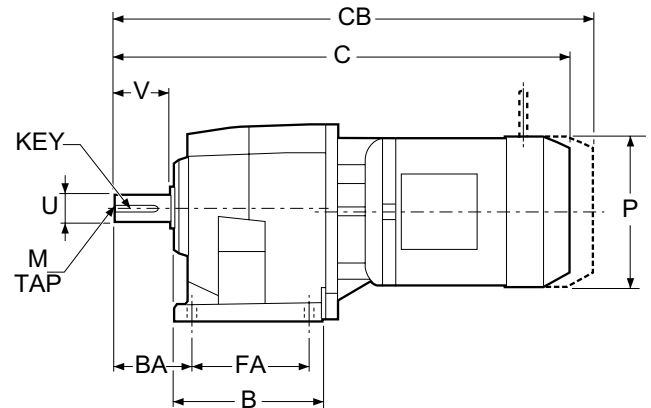
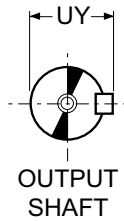
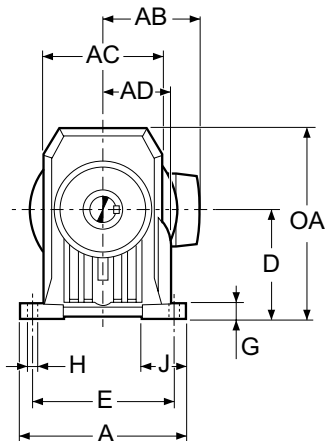
	N	NA	NB	NC	Weight [lbs / kg]
P63	140	115	95	M8x19	22 / 10
P71	160	130	110	M8x16	22 / 10
P80, P90	200	165	130	M10x12	24 / 11
P100, P112	250	215	180	M12x16	33 / 15

Hollow input shaft

	MA	MB	MC
P63	4	11	12.8
P71	5	14	16.3
P80	6	19	21.8
P90	8	24	27.3
P100, P112	8	28	31.3

	C		
	P63 P71	P80 P90	P100 P112
C 31 2	12.11 307.5	12.88 327	13.27 337
C 31 3	14.37 365	15.14 384.5	15.53 394.5

Dimensions are $\frac{\text{inch}}{\text{mm}}$



Gearcase

	A	AC	AD	B	BA	D	E	FA	G	H	J	OA
C 35 2, C 35 3, C 35 4	8.071	5.906	3.386	6.614	3.681	4.528	6.693	5.118	0.630	0.551	1.969	8.110
	205	150	86	168	93.5	115	170	130	16	14	50	206

Output shaft (Inch series)

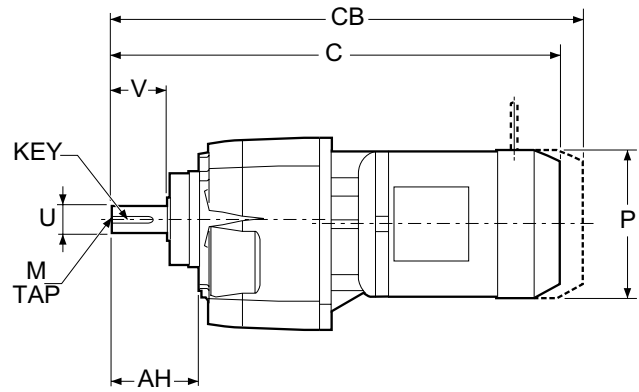
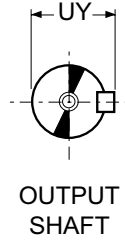
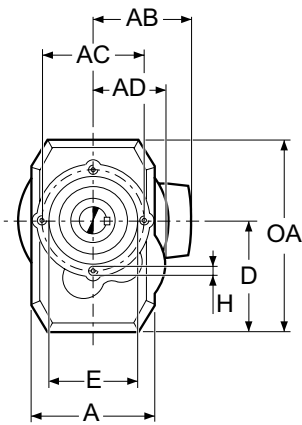
	U	UY	V	Key	M
C 35 2, C 35 3, C 35 4 NP	1.375 ⁺⁰ _{-0.0006}	1.510	2.710	5/16 x 5/16 x 2 3/8	M10x22 [mm]

Motor



	AB	C	CB	P	Weight [lbs / kg]
C 35 2_S1 M1S	4.252	17.95	20.43	5.433	44 / 20
C 35 3_S1 M1S	108	456	519	138	
C 35 2_S1 M1L	4.252	18.90	21.30	5.433	46 / 21
C 35 3_S1 M1L	108	480	541	138	
C 35 2_S2 M2S	4.685	20.04	22.80	6.142	59 / 27
C 35 3_S2 M2S	119	509	579	156	
C 35 2_S3 M3S	5.591	21.73	25.51	7.677	73 / 33
C 35 3_S3 M3S	142	552	648	195	
C 35 2_S3 M3L	5.591	22.99	26.58	7.677	92 / 42
C 35 3_S3 M3L	142	584	675	195	
C 35 4_S05 M05	3.740	20.02	22.62	4.764	44 / 20
	95	508.5	574.5	121	
C 35 4_S1 M1S	4.252	20.22	22.70	5.433	46 / 21
	108	513.5	576.5	138	
C 35 4_S1 M1L	4.252	21.16	23.56	5.433	48 / 22
	108	537.5	598.5	138	
C 35 4_S2 M2S	4.685	22.30	25.06	6.142	62 / 28
	119	566.5	636.5	156	
C 35 4_S3 M3S	5.591	24.00	27.78	7.677	75 / 34
	142	609.5	705.5	195	
C 35 4_S3 M3L	5.591	25.26	28.84	7.677	95 / 43
	142	641.5	732.5	195	

Dimensions are $\frac{\text{inch}}{\text{mm}}$



Gearcase

	A	AC	AD	AH	D	E	H	OA
C 35 2, C 35 3, C 35 4	5.906 150	4.528 115	3.386 86	3.465 88	3.740 95	4.528 115	M10x15 [mm]	7.953 202

Output shaft (Inch series)

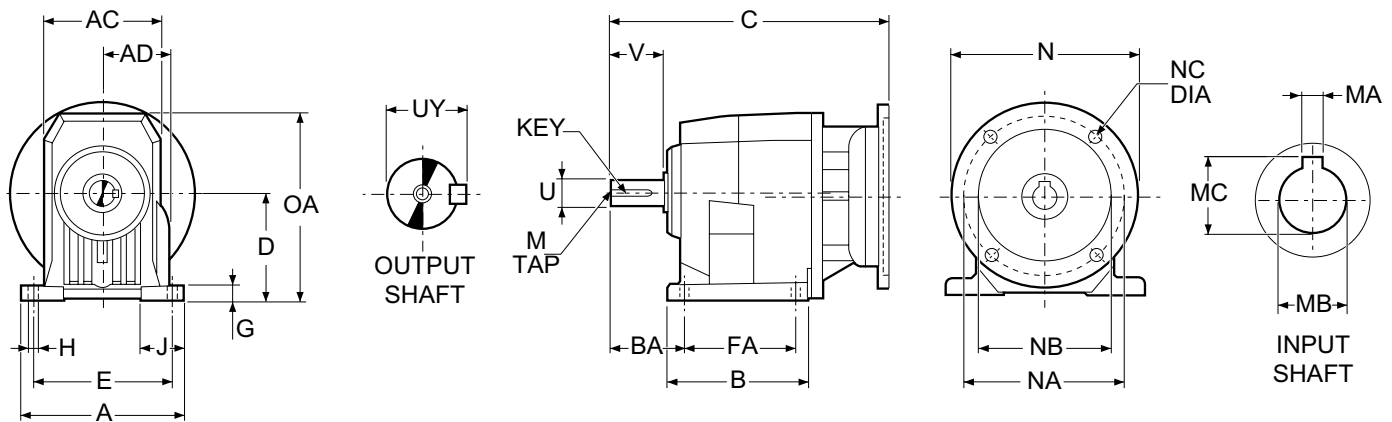
	U	UY	V	Key	M
C 35 2, C 35 3, C 35 4 NU	1.375 ⁺⁰ _{-0.0006}	1.510	2.710	5/16 x 5/16 x 2 3/8	M10x22 [mm]

Motor



	AB	C	CB	P	Weight [lbs / kg]
C 35 2_S1 M1S	4.252	17.95	20.43	5.433	44 / 20
C 35 3_S1 M1S	108	456	519	138	
C 35 2_S1 M1L	4.252	18.90	21.30	5.433	46 / 21
C 35 3_S1 M1L	108	480	541	138	
C 35 2_S2 M2S	4.685	20.04	22.80	6.142	59 / 27
C 35 3_S2 M2S	119	509	579	156	
C 35 2_S3 M3S	5.591	21.73	25.51	7.677	73 / 33
C 35 3_S3 M3S	142	552	648	195	
C 35 2_S3 M3L	5.591	22.99	26.58	7.677	92 / 42
C 35 3_S3 M3L	142	584	675	195	
C 35 4_S05 M05	3.740 95	20.02 508.5	22.62 574.5	4.764 121	44 / 20
C 35 4_S1 M1S	4.252 108	20.22 513.5	22.70 576.5	5.433 138	46 / 21
C 35 4_S1 M1L	4.252 108	21.16 537.5	23.56 598.5	5.433 138	48 / 22
C 35 4_S2 M2S	4.685 119	22.30 566.5	25.06 636.5	6.142 156	62 / 28
C 35 4_S3 M3S	5.591 142	24.00 609.5	27.78 705.5	7.677 195	75 / 34
C 35 4_S3 M3L	5.591 142	25.26 641.5	28.84 732.5	7.677 195	95 / 43

Dimensions are $\frac{\text{inch}}{\text{mm}}$



Gearcase

	A	AC	AD	B	BA	D	E	FA	G	H	J	OA
C 35 2, C 35 3, C 35 4	8.071	5.906	3.386	6.614	3.681	4.528	6.693	5.118	0.630	0.551	1.969	8.110
	205	150	86	168	93.5	115	170	130	16	14	50	206

Output shaft (Inch series)

	U	UY	V	Key	M
C 35 2, C 35 3, C 35 4 NP	1.375 ⁺⁰ / _{-0.0006}	1.510	2.710	5/16 x 5/16 x 2 3/8	M10x22 [mm]

NEMA Flange



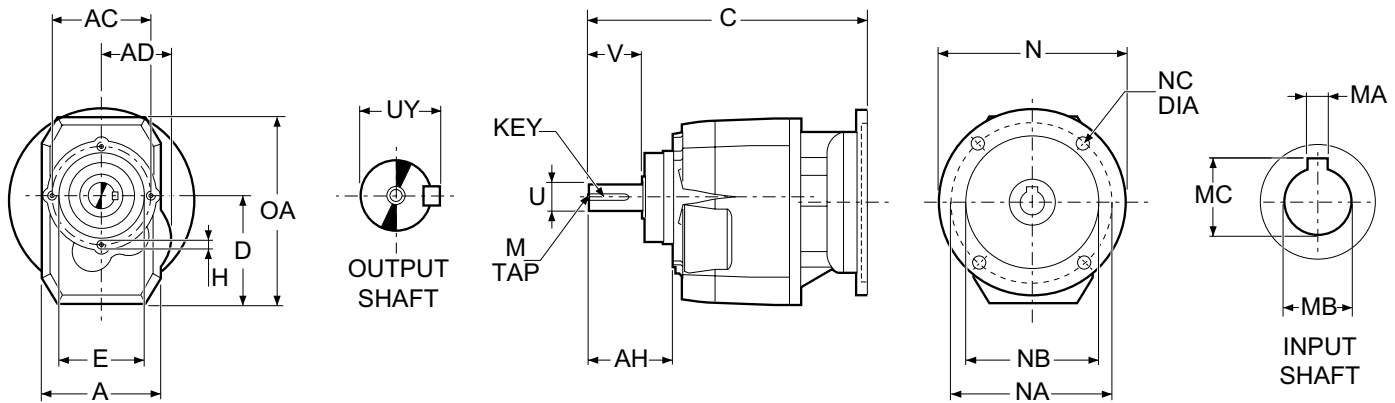
	N	NA	NB	NC	Weight [lbs / kg]
N56C	6.496	5.875	4.500	0.394	44 / 20
N140TC	6.496	5.875	4.500	0.394	46 / 21
N180TC	8.996	7.250	8.500	0.551	55 / 25

Hollow input shaft

	MA	MB	MC
N56C	0.188	0.625	0.710
N140TC	0.188	0.875	0.964
N180TC	0.250	1.125	1.241

	C		
	N56C	N140TC	N180TC
C 35 2	13.62 346	13.62 346	14.15 359.5
C 35 3	13.62 346	13.62 346	14.15 359.5
C 35 4	15.89 403.5	15.89 403.5	16.42 417

Dimensions are $\frac{\text{inch}}{\text{mm}}$



Gearcase

	A	AC	AD	AH	D	E	H	OA
C 35 2, C 35 3, C 35 4	5.906 150	4.528 115	3.386 86	3.465 88	4.370 111	3.740 95	M10x15 [mm]	7.953 202

Output shaft (Inch series)

	U	UY	V	Key	M
C 35 2, C 35 3, C 35 4 NU	1.375 ⁺⁰ / _{-0.0006}	1.510	2.710	5/16 x 5/16 x 2 3/8	M10x22 [mm]

NEMA Flange

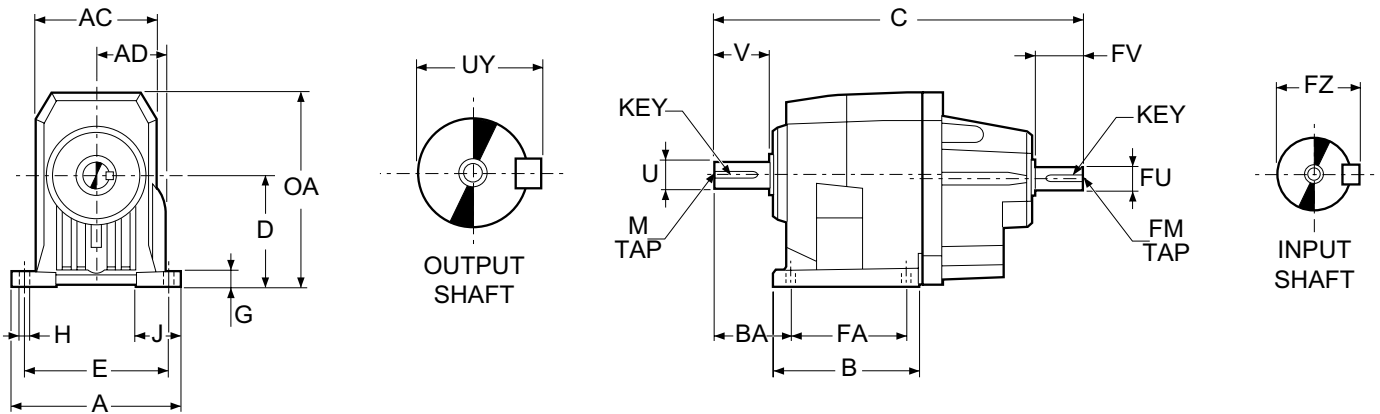
	N	NA	NB	NC	Weight [lbs / kg]
N56C	6.496	5.875	4.500	0.394	44 / 20
N140TC	6.496	5.875	4.500	0.394	46 / 21
N180TC	8.996	7.250	8.500	0.551	55 / 25

Hollow input shaft

	MA	MB	MC
N56C	0.188	0.625	0.710
N140TC	0.188	0.875	0.964
N180TC	0.250	1.125	1.241

	C		
	N56C	N140TC	N180TC
C 35 2	13.62 346	13.62 346	14.15 359.5
C 35 3	13.62 346	13.62 346	14.15 359.5
C 35 4	15.89 403.5	15.89 403.5	16.42 417

Dimensions are $\frac{\text{inch}}{\text{mm}}$



Gearcase

	A	AC	AD	B	BA	C	D	E	FA	G	H	J	OA
C 35 2, C 35 3	8.071	5.906	3.386	6.614	3.583	16.32	4.528	6.693	5.118	0.630	0.551	1.969	8.110
	205	150	86	168	91	414.5	115	170	130	16	14	50	206
C 35 4	8.071	5.906	3.386	6.614	3.583	15.32	4.528	6.693	5.118	0.630	0.551	1.969	8.110
	205	150	86	168	91	389.2	115	170	130	16	14	50	206

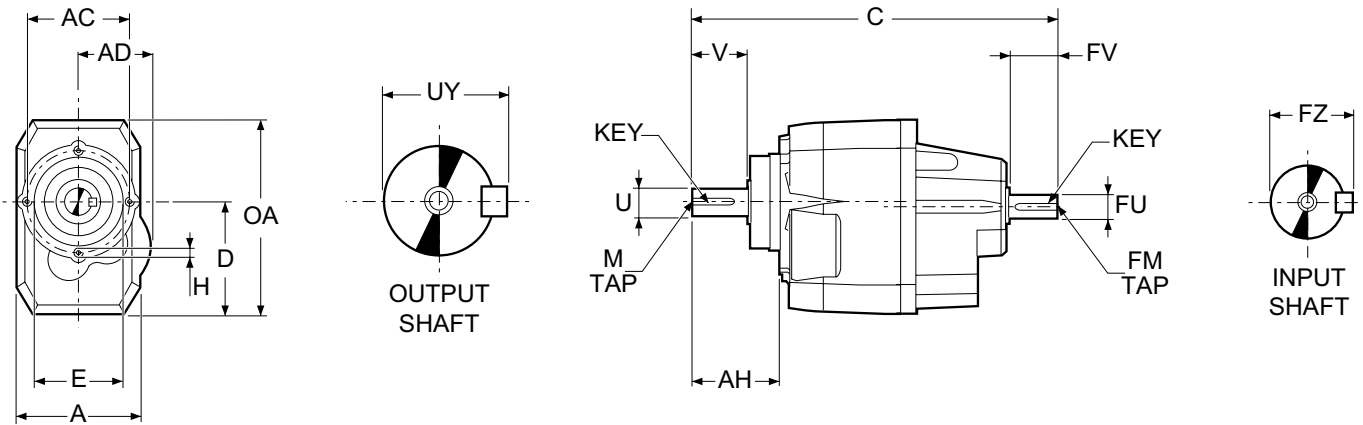
Output shaft (Inch series)

	U	UY	V	Key	M
C 35 2, C 35 3, C 35 4 NP	1.375 ⁺⁰ / _{-0.0006}	1.510	2.710	5/16 x 5/16 x 2 3/8	M10x22 [mm]

Input shaft (Inch series)

	FU	FZ	FV	Key	FM	Weight [lbs / kg]
C 35 2, C 35 3 NHS	1.000 ⁺⁰ / _{-0.0005}	1.110	1.970	1/4 x 1/4 x 1 3/4	M8x19 [mm]	56 / 26
C 35 4 NHS	0.625 ⁺⁰ / _{-0.0004}	0.710	1.570	3/16 x 3/16 x 1 3/8	M6x16 [mm]	58 / 27

Dimensions are $\frac{\text{inch}}{\text{mm}}$




Gearcase

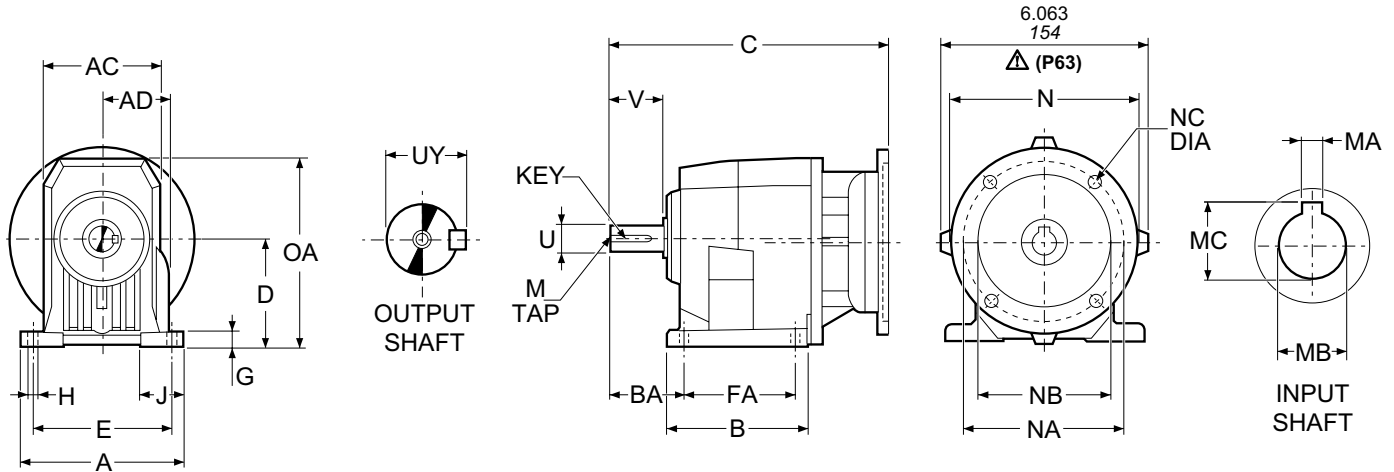
	A	AC	AD	AH	C	D	E	H	OA
C 35 2, C 35 3	4.134	4.528	3.386	3.465	16.32	4.370	3.740	M10x15 [mm]	7.953
	105	115	86	88	414.5	111	95		202
C 35 4	4.134	4.528	3.386	3.465	15.32	4.370	3.740	M10x15 [mm]	7.953
	105	115	86	88	389.2	111	95		202

Output shaft (Inch series)

	U	UY	V	Key	M
C 35 2, C 35 3, C 35 4 NU	1.375 ⁺⁰ / _{-0.0006}	1.510	2.710	5/16 x 5/16 x 2 3/8	M10x22 [mm]

Input shaft (Inch series)

	FU	FZ	FV	Key	FM	 Weight [lbs / kg]
C 35 2, C 35 3 NHS	1.000 ⁺⁰ / _{-0.0005}	1.110	1.970	1/4 x 1/4 x 1 3/4	M8x19 [mm]	
C 35 4 NHS	0.625 ⁺⁰ / _{-0.0004}	0.710	1.570	3/16 x 3/16 x 1 3/8	M6x16 [mm]	58 / 27



Gearcase

	A	AC	AD	B	BA	D	E	FA	G	H	J	OA
C 35 2, C 35 3, C 35 4	8.071	5.906	3.386	6.614	3.681	4.528	6.693	5.118	0.630	0.551	1.969	8.110
	205	150	86	168	93.5	115	170	130	16	14	50	206

Output shaft (Inch series)

	U	UY	V	Key	M
C 35 2, C 35 3, C 35 4 NP	1.375 ⁺⁰ / _{-0.0006}	1.510	2.710	5/16 x 5/16 x 2 3/8	M10x22 [mm]

IEC Flange



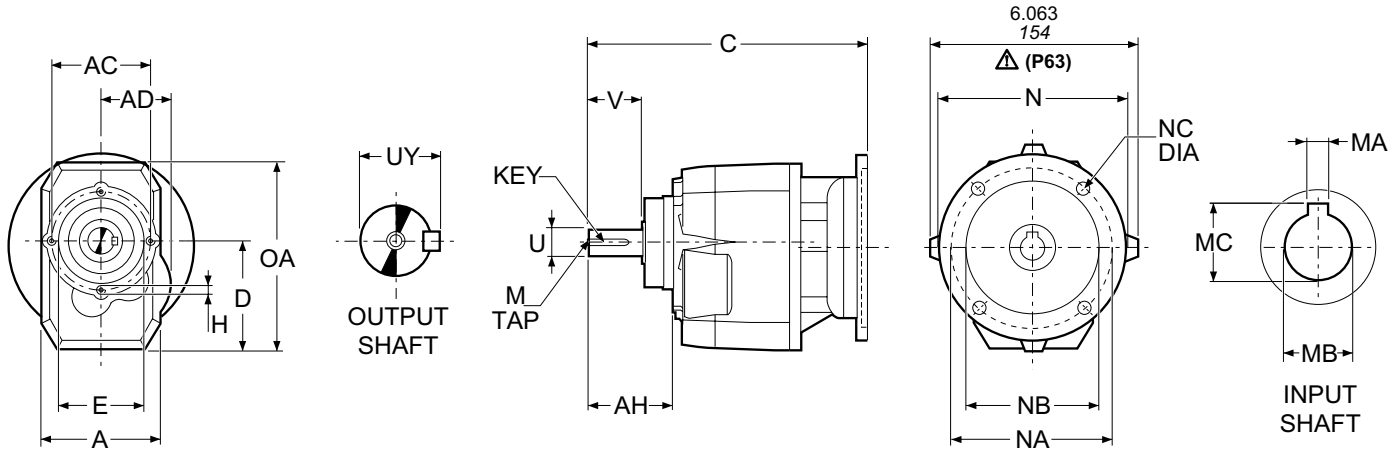
	N	NA	NB	NC	Weight [lbs / kg]
P63	140	115	95	M8x19	44 / 20
P71	160	130	110	M8x16	44 / 20
P80, P90	200	165	130	M10x12	46 / 21
P100, P112	250	215	180	M12x16	55 / 25

Hollow input shaft

	MA	MB	MC
P63	4	11	12.8
P71	5	14	16.3
P80	6	19	21.8
P90	8	24	27.3
P100, P112	8	28	31.3

	C		
	P63 P71	P80 P90	P100 P112
C 35 2	12.84 326	13.60 345.5	14.00 355.5
C 35 3	15.10 383.5	15.87 403	16.26 413

Dimensions are $\frac{\text{inch}}{\text{mm}}$



Gearcase

	A	AC	AD	AH	D	E	H	OA
C 35 2, C 35 3, C 35 4	5.906 150	4.528 115	3.386 86	3.465 88	4.370 111	3.740 95	M10x15 [mm]	7.953 202

Output shaft (Inch series)

	U	UY	V	Key	M
C 35 2, C 35 3, C 35 4 NU	1.375 ⁺⁰ / _{-0.0006}	1.510	2.710	5/16 x 5/16 x 2 3/8	M10x22 [mm]

IEC Flange

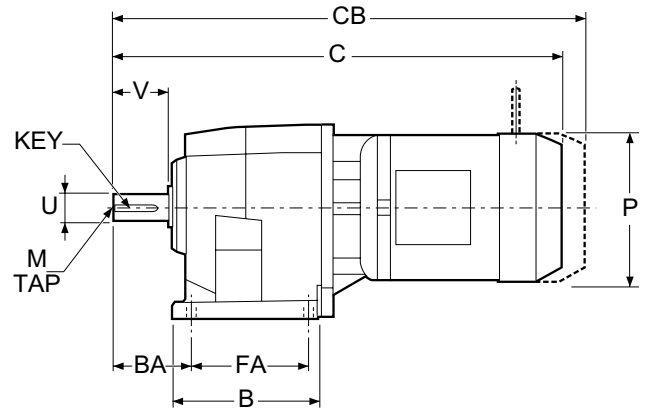
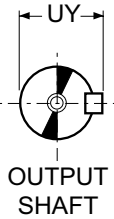
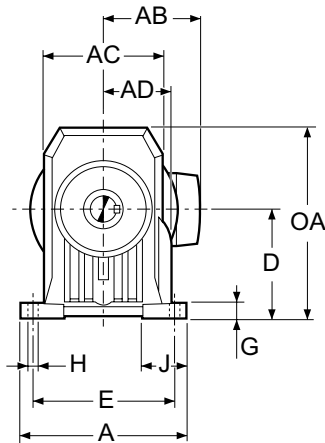
	N	NA	NB	NC	Weight [lbs / kg]
P63	140	115	95	M8x19	44 / 20
P71	160	130	110	M8x16	44 / 20
P80, P90	200	165	130	M10x12	46 / 21
P100, P112	250	215	180	M12x16	55 / 25

Hollow input shaft

	MA	MB	MC
P63	4	11	12.8
P71	5	14	16.3
P80	6	19	21.8
P90	8	24	27.3
P100, P112	8	28	31.3

	C		
	P63 P71	P80 P90	P100 P112
C 35 2	12.84 326	13.60 345.5	14.00 355.5
C 35 3	15.10 383.5	15.87 403	16.26 413

Dimensions are $\frac{\text{inch}}{\text{mm}}$



Gearcase

	A	AC	AD	B	BA	D	E	FA	G	H	J	OA
C 41 2, C 41 3, C 41 4	8.504 216	6.102 155	3.543 90	7.303 185.5	3.524 89.5	5.118 130	7.087 180	5.886 149.5	0.709 18	0.551 14	2.402 61	8.701 221

Output shaft (Inch series)

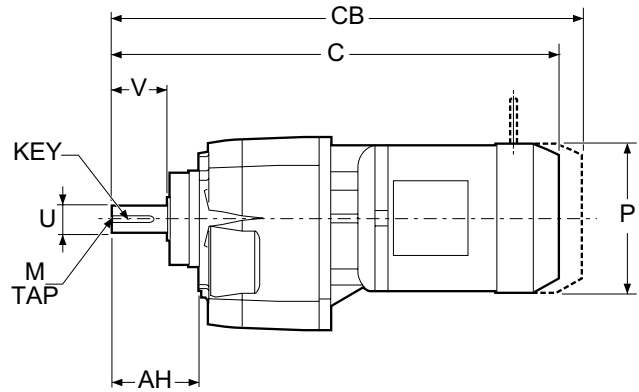
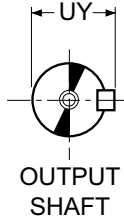
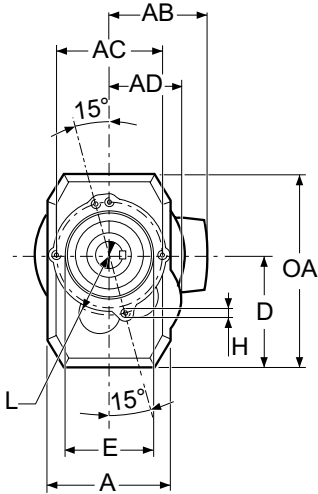
	U	UY	V	Key	M
C 41 2, C 41 3, C 41 4 NP	1.375 ⁺⁰ _{-0.0006}	1.510	2.710	5/16 x 5/16 x 2 3/8	M10x22 [mm]

Motor



	AB	C	CB	P	Weight [lbs / kg]
C 41 2_S1 M1S	4.252	18.41	20.89	5.433	59 / 27
C 41 3_S1 M1S	108	467.5	530.5	138	
C 41 2_S1 M1L	4.252	19.35	21.75	5.433	62 / 28
C 41 3_S1 M1L	108	491.5	552.5	138	
C 41 2_S2 M2S	4.685	20.49	23.25	6.142	75 / 34
C 41 3_S2 M2S	119	520.5	590.5	156	
C 41 2_S3 M3S	5.591	22.19	25.97	7.677	90 / 41
C 41 3_S3 M3S	142	563.5	659.5	195	
C 41 2_S3 M3L	5.591	23.45	27.03	7.677	110 / 50
C 41 3_S3 M3L	142	595.5	686.5	195	
C 41 2_S4 M4S	7.598	26.20	30.49	10.157	158 / 72
C 41 3_S4 M4S	193	665.5	774.5	258	
C 41 2_S4 M4L	7.598	27.70	31.99	10.157	183 / 83
C 41 3_S4 M4L	193	703.5	812.5	258	
C 41 4_S05 M05	3.740 95	20.63 524	23.23 590	9.094 231	62 / 28
C 41 4_S1 M1S	4.252 108	20.83 529	23.31 592	5.433 138	66 / 30
C 41 4_S1 M1L	4.252 108	21.77 553	24.17 614	5.433 138	68 / 31
C 41 4_S2 M2S	4.685 119	22.91 582	25.67 652	6.142 156	82 / 37
C 41 4_S3 M3S	5.591 142	24.61 625	28.39 721	7.677 195	97 / 44
C 41 4_S3 M3L	5.591 142	25.87 657	29.45 748	7.677 195	117 / 53

Dimensions are $\frac{\text{inch}}{\text{mm}}$



Gearcase

	A	AC	AD	AH	D	E	H	L	OA
C 41 2, C 41 3, C 41 4	6.102 155	5.118 130	3.543 90	4.331 110	5.039 128	4.331 110	M10x15 [mm]	2.953 75	8.701 221

Output shaft (Inch series)

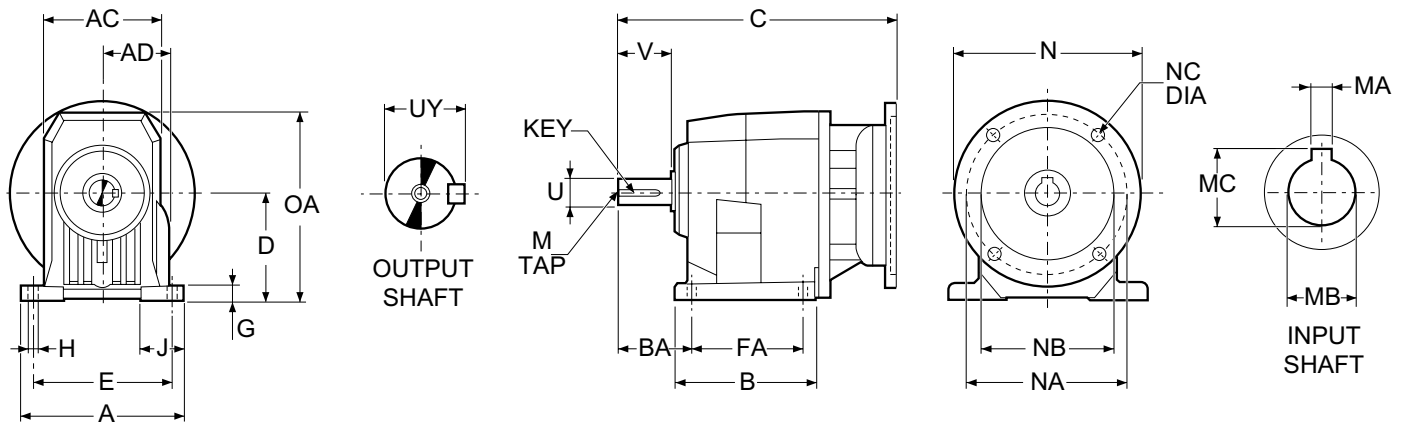
	U	UY	V	Key	M
C 41 2, C 41 3, C 41 4 NU	1.375 ⁺⁰ _{-0.0006}	1.510	2.710	5/16 x 5/16 x 2 3/8	M10x22 [mm]

Motor



	AB	C	CB	P	Weight [lbs / kg]
C 41 2_S1 M1S	4.252	18.41	20.89	5.433	59 / 27
C 41 3_S1 M1S	108	467.5	530.5	138	
C 41 2_S1 M1L	4.252	19.35	21.75	5.433	62 / 28
C 41 3_S1 M1L	108	491.5	552.5	138	
C 41 2_S2 M2S	4.685	20.49	23.25	6.142	75 / 34
C 41 3_S2 M2S	119	520.5	590.5	156	
C 41 2_S3 M3S	5.591	22.19	25.97	7.677	90 / 41
C 41 3_S3 M3S	142	563.5	659.5	195	
C 41 2_S3 M3L	5.591	23.45	27.03	7.677	110 / 50
C 41 3_S3 M3L	142	595.5	686.5	195	
C 41 2_S4 M4S	7.598	26.20	30.49	10.157	158 / 72
C 41 3_S4 M4S	193	665.5	774.5	258	
C 41 2_S4 M4L	7.598	27.70	31.99	10.157	183 / 83
C 41 3_S4 M4L	193	703.5	812.5	258	
C 41 4_S05 M05	3.740 95	20.63 524	23.23 590	9.094 231	62 / 28
C 41 4_S1 M1S	4.252 108	20.83 529	23.31 592	5.433 138	66 / 30
C 41 4_S1 M1L	4.252 108	21.77 553	24.17 614	5.433 138	68 / 31
C 41 4_S2 M2S	4.685 119	22.91 582	25.67 652	6.142 156	82 / 37
C 41 4_S3 M3S	5.591 142	24.61 625	28.39 721	7.677 195	97 / 44
C 41 4_S3 M3L	5.591 142	25.87 657	29.45 748	7.677 195	117 / 53

Dimensions are $\frac{\text{inch}}{\text{mm}}$



Gearcase

	A	AC	AD	B	BA	D	E	FA	G	H	J	OA
C 41 2, C 41 3, C 41 4	8.504 216	6.102 155	3.543 90	7.303 185.5	3.524 89.5	5.118 130	7.087 180	5.886 149.5	0.709 18	0.551 14	2.402 61	8.701 221

Output shaft (Inch series)

	U	UY	V	Key	M
C 41 2, C 41 3, C 41 4 NP	1.375 ⁺⁰ _{-0.0006}	1.510	2.710	5/16 x 5/16 x 2 3/8	M10x22 [mm]

NEMA Flange



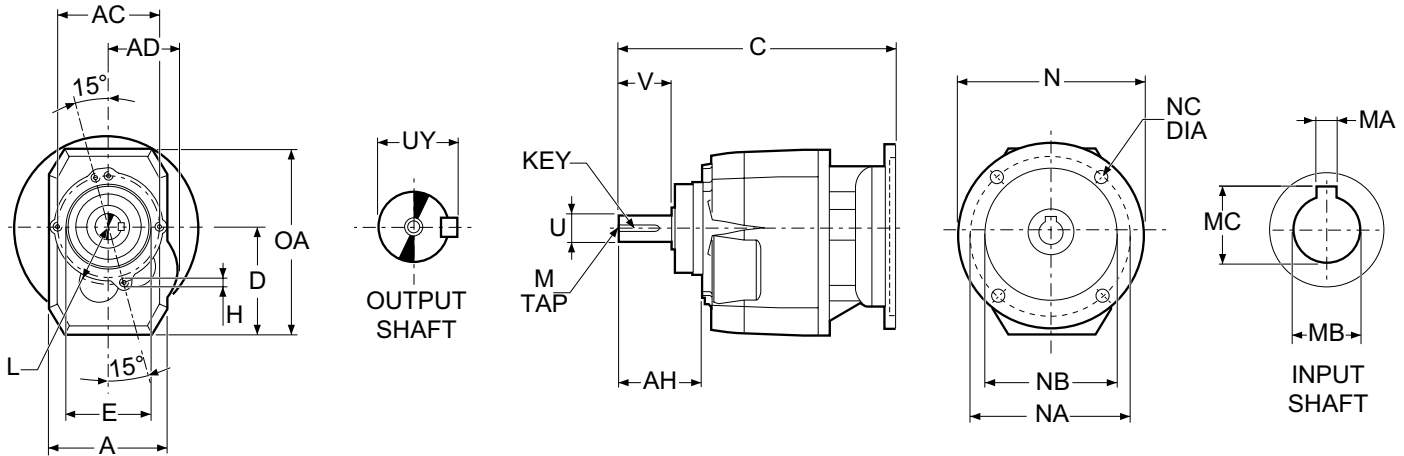
	N	NA	NB	NC	Weight [lbs / kg]
N56C	6.496	5.875	4.500	0.394	68 / 31
N140TC	6.496	5.875	4.500	0.394	71 / 32
N180TC	8.996	7.250	8.500	0.551	79 / 36
N210TC	8.996	7.250	8.500	0.551	77 / 35

Hollow input shaft

	MA	MB	MC
N56C	0.188	0.625	0.710
N140TC	0.188	0.875	0.964
N180TC	0.250	1.125	1.241
N210TC	0.312	1.375	1.518

	C			
	N56C	N140TC	N180TC	N210TC
C 41 2	14.04 356.5	14.04 356.5	14.57 370	16.02 407
C 41 3	14.04 356.5	14.04 356.5	14.57 370	16.02 407
C 41 4	16.46 418	16.46 418	16.99 431.5	—

Dimensions are $\frac{\text{inch}}{\text{mm}}$



Gearcase

	A	AC	AD	AH	D	E	H	L	OA
C 41 2, C 41 3, C 41 4	6.102 155	5.118 130	3.543 90	4.331 110	5.039 128	4.331 110	M10x15 [mm]	2.953 75	8.701 221

Output shaft (Inch series)

	U	UY	V	Key	M
C 41 2, C 41 3, C 41 4 NU	1.375 ⁺⁰ _{-0.0006}	1.510	2.710	5/16 x 5/16 x 2 3/8	M10x22 [mm]

NEMA Flange

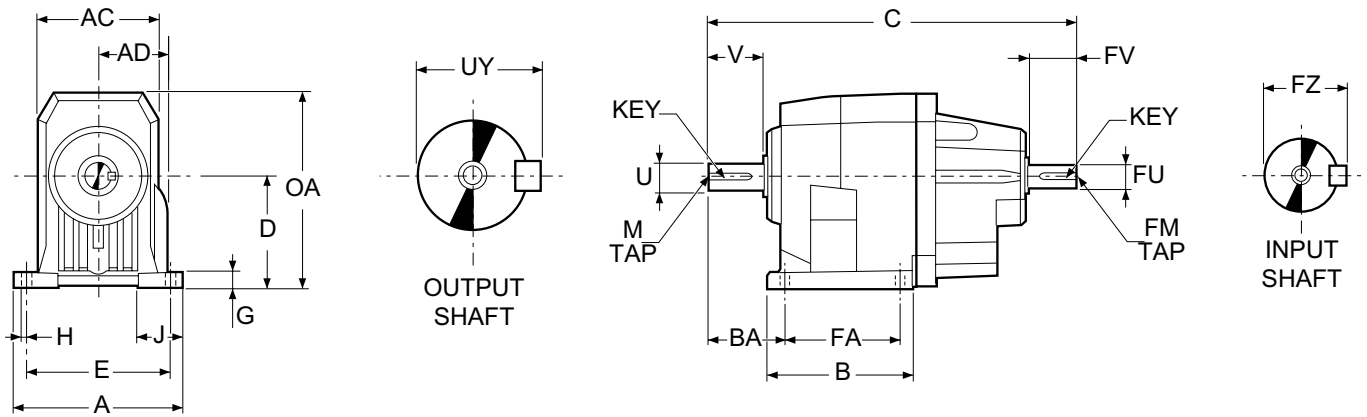
	N	NA	NB	NC	Weight [lbs / kg]
N56C	6.496	5.875	4.500	0.394	68 / 31
N140TC	6.496	5.875	4.500	0.394	71 / 32
N180TC	8.996	7.250	8.500	0.551	79 / 36
N210TC	8.996	7.250	8.500	0.551	77 / 35

Hollow input shaft

	MA	MB	MC
N56C	0.188	0.625	0.710
N140TC	0.188	0.875	0.964
N180TC	0.250	1.125	1.241
N210TC	0.312	1.375	1.518

	C			
	N56C	N140TC	N180TC	N210TC
C 41 2	14.04 356.5	14.04 356.5	14.57 370	16.02 407
C 41 3	14.04 356.5	14.04 356.5	14.57 370	16.02 407
C 41 4	16.46 418	16.46 418	16.99 431.5	—

Dimensions are $\frac{\text{inch}}{\text{mm}}$



Gearcase

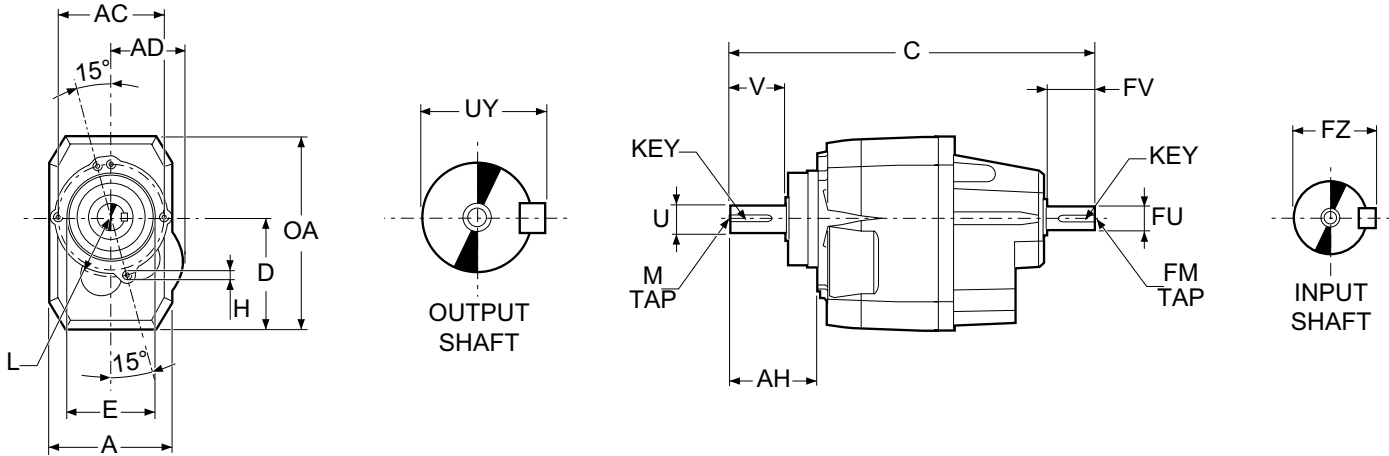
	A	AC	AD	B	BA	C	D	E	FA	G	H	J	OA
C 41 2, C 41 3	8.504	6.102	3.543	7.303	3.524	16.71	5.118	7.087	5.886	0.709	0.551	2.402	8.701
	216	155	90	185.5	89.5	424.5	130	180	149.5	18	14	61	221
C 41 4	8.504	6.102	3.543	7.303	3.524	17.56	5.118	7.087	5.886	0.709	0.551	2.402	8.701
	216	155	90	185.5	89.5	446.85	130	180	149.5	18	14	61	221

Output shaft (Inch series)

	U	UY	V	Key	M
C 41 2, C 41 3, C 41 4 NP	1.375 ⁺⁰ / _{-0.0006}	1.510	2.710	5/16 x 5/16 x 2 3/8	M10x22 [mm]

Input shaft (Inch series)

	FU	FZ	FV	Key	FM	Weight [lbs / kg]
C 41 2, C 41 3 NHS	1.000 ⁺⁰ / _{-0.0005}	1.110	1.970	1/4 x 1/4 x 1 3/4	M8x19 [mm]	66 / 30
C 41 4 NHS	0.750 ⁺⁰ / _{-0.0005}	0.830	1.570	3/16 x 3/16 x 1 3/8	M6x16 [mm]	73 / 33



Gearcase

	A	AC	AD	AH	C	D	E	H	L	OA
C 41 2, C 41 3	6.102	5.118	3.543	4.331	16.71	5.039	4.331	M10x15 [mm]	2.953	8.701
	155	130	90	110	424.5	128	110		75	221
C 41 4	6.102	5.118	3.543	4.331	17.56	5.039	4.331	M10x15 [mm]	2.953	8.701
	155	130	90	110	446.85	128	110		75	221

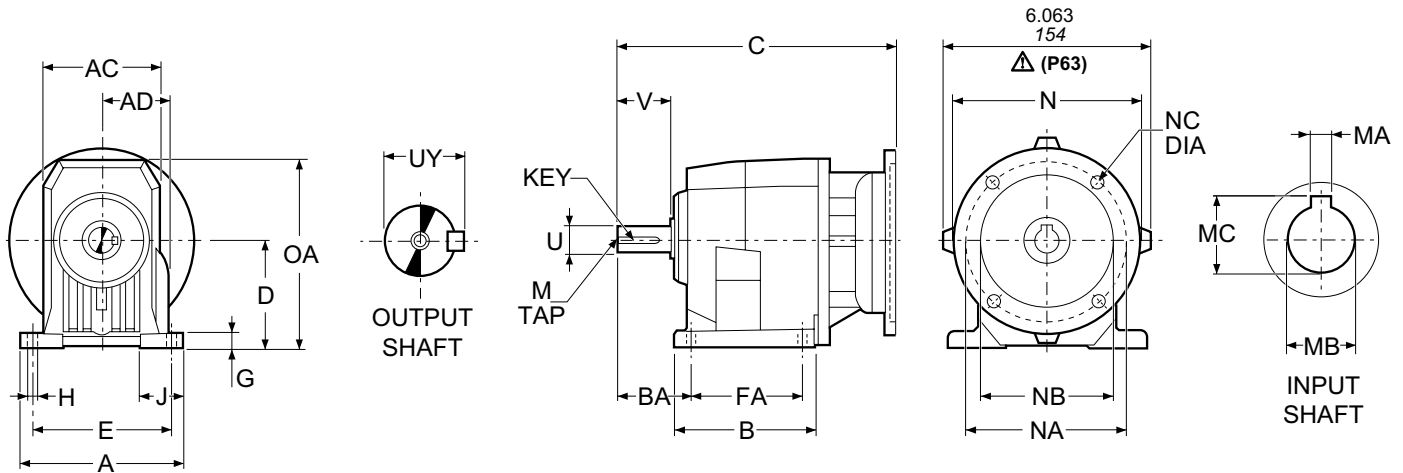
Output shaft (Inch series)

	U	UY	V	Key	M	
C 41 2, C 41 3, C 41 4	NU	1.375 ⁺⁰ _{-0.0006}	1.510	2.710	5/16 x 5/16 x 2 3/8	M10x22 [mm]

Input shaft (Inch series)

	FU	FZ	FV	Key	FM	Weight [lbs / kg]	
C 41 2, C 41 3	NHS	1.000 ⁺⁰ _{-0.0005}	1.110	1.970	1/4 x 1/4 x 1 3/4	M8x19 [mm]	66 / 30
C 41 4	NHS	0.750 ⁺⁰ _{-0.0005}	0.830	1.570	3/16 x 3/16 x 1 3/8	M6x16 [mm]	73 / 33





Gearcase

	A	AC	AD	B	BA	D	E	FA	G	H	J	OA
C 41 2, C 41 3, C 41 4	8.504 216	6.102 155	3.543 90	7.303 185.5	3.524 89.5	5.118 130	7.087 180	5.886 149.5	0.709 18	0.551 14	2.402 61	8.701 221

Output shaft (Inch series)

	U	UY	V	Key	M
C 41 2, C 41 3, C 41 4 NP	1.375 ⁺⁰ _{-0.0006}	1.510	2.710	5/16 x 5/16 x 2 3/8	M10x22 [mm]

IEC Flange



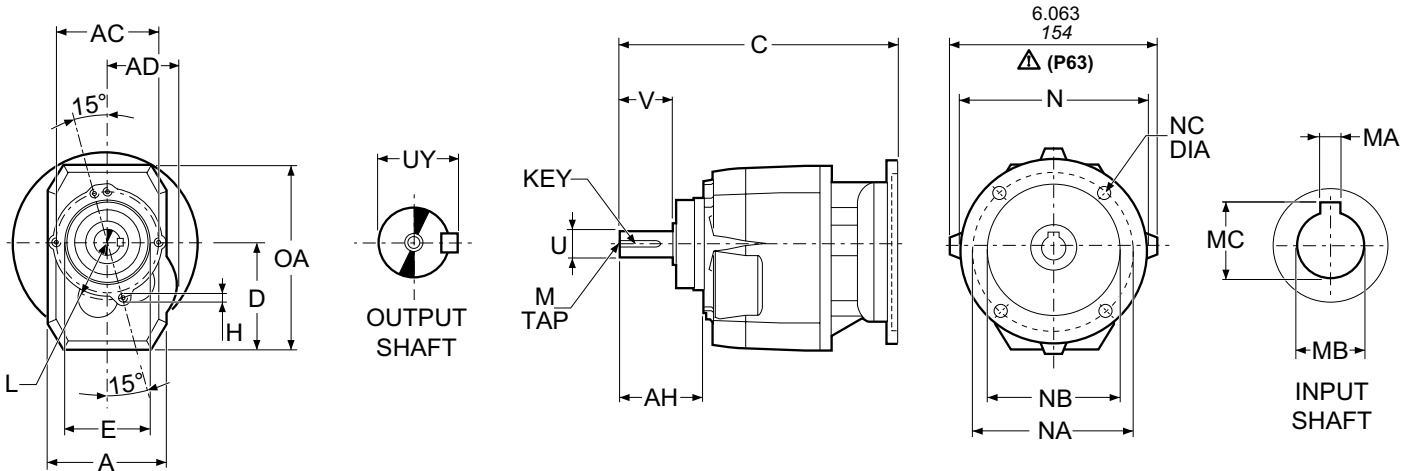
	N	NA	NB	NC	Weight [lbs / kg]
P63	140	115	95	M8x19	66 / 30
P71	160	130	110	M8x16	68 / 31
P80, P90	200	165	130	M10x12	70 / 32
P100, P112	250	215	180	M12x16	79 / 36
P132	300	265	230	14	77 / 35

Hollow input shaft

	MA	MB	MC
P63	4	11	12.8
P71	5	14	16.3
P80	6	19	21.8
P90	8	24	27.3
P100, P112	8	28	31.3
P132	10	38	41.3

	C			
	P63 P71	P80 P90	P100 P112	P132
C 41 2, C 41 3	13.25 336.5	14.02 356	14.41 366	15.85 402.5
C 41 4	15.55 395	16.32 414.5	16.71 424.5	—

Dimensions are $\frac{\text{inch}}{\text{mm}}$



Gearcase

	A	AC	AD	AH	D	E	H	L	OA
C 41 2, C 41 3, C 41 4	6.102 155	5.118 130	3.543 90	4.331 110	5.039 128	4.331 110	M10x15 [mm]	2.953 75	8.701 221

Output shaft (Inch series)

	U	UY	V	Key	M
C 41 2, C 41 3, C 41 4 NU	1.375 ⁺⁰ _{-0.0006}	1.510	2.710	5/16 x 5/16 x 2 3/8	M10x22 [mm]

IEC Flange

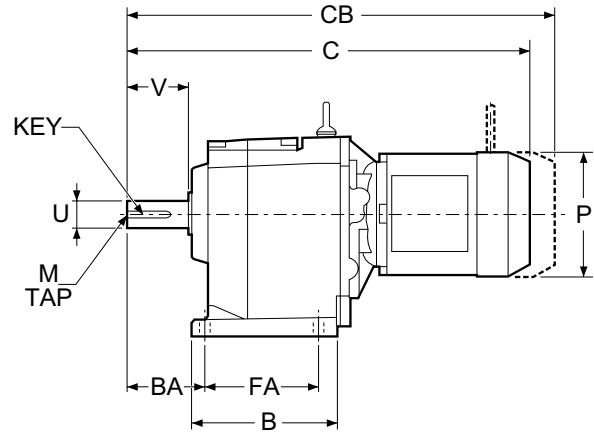
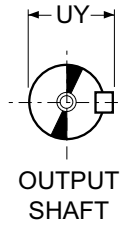
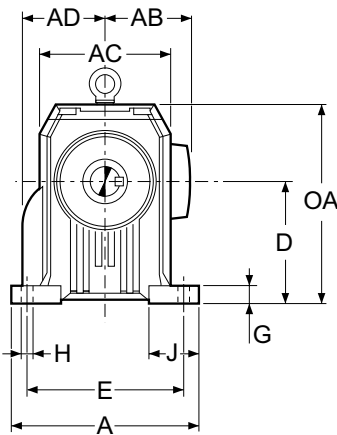
	N	NA	NB	NC	Weight [lbs / kg]
P63	140	115	95	M8x19	66 / 30
P71	160	130	110	M8x16	68 / 31
P80, P90	200	165	130	M10x12	70 / 32
P100, P112	250	215	180	M12x16	79 / 36
P132	300	265	230	14	77 / 35

Hollow input shaft

	MA	MB	MC
P63	4	11	12.8
P71	5	14	16.3
P80	6	19	21.8
P90	8	24	27.3
P100, P112	8	28	31.3
P132	10	38	41.3

	C			
	P63 P71	P80 P90	P100 P112	P132
C 41 2, C 41 3	13.25 336.5	14.02 356	14.41 366	15.85 402.5
C 41 4	15.55 395	16.32 414.5	16.71 424.5	—

Dimensions are $\frac{\text{inch}}{\text{mm}}$



Gearcase

	A	AC	AD	B	BA	D	E	FA	G	H	J	OA
C 51 2, C 51 3, C 51 4	10.630 270	7.283 185	4.724 120	7.874 200	4.134 105	6.102 155	8.858 225	6.142 156	0.866 22	0.709 18	2.953 75	10.945 278

Output shaft (Inch series)

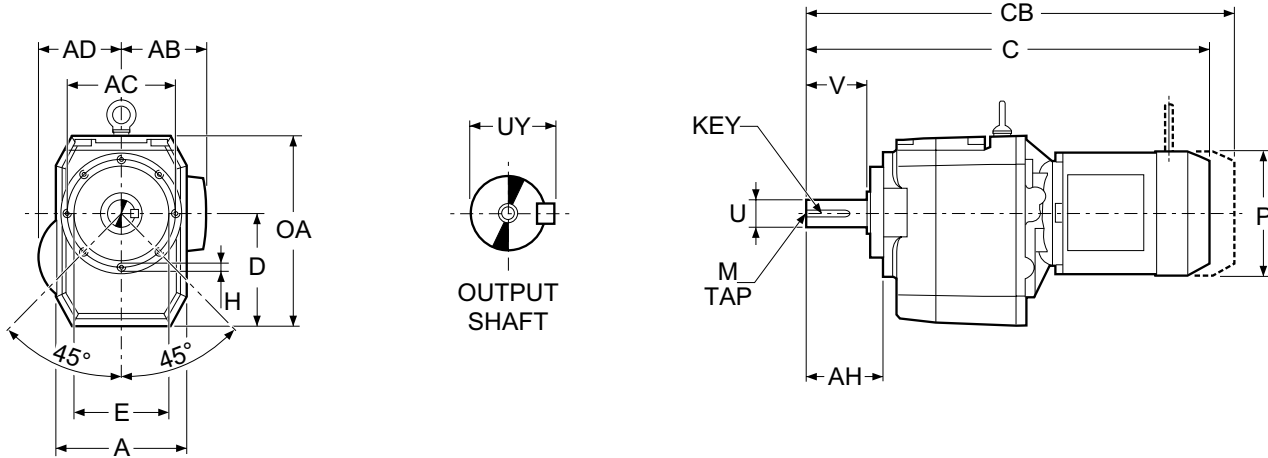
	U	UY	V	Key	M
C 51 2, C 51 3, C 51 4 NP	1.5625 ⁺⁰ _{-0.0006}	1.730	3.125	3/8 x 3/8 x 2 7/8	M12x28 [mm]

Motor



	AB	C	CB	P	Weight [lbs / kg]
C 51 2_S1 M1S	4.252	19.43	21.91	5.433	110 / 50
C 51 3_S1 M1S	108	493.5	556.5	138	
C 51 2_S1 M1L	4.252	20.37	22.78	5.433	114 / 52
C 51 3_S1 M1L	108	517.5	578.5	138	
C 51 2_S2 M2S	4.685	21.52	24.27	6.142	125 / 57
C 51 3_S2 M2S	119	546.5	616.5	156	
C 51 2_S3 M3S	5.591	23.21	26.99	7.677	143 / 65
C 51 3_S3 M3S	142	589.5	685.5	195	
C 51 2_S3 M3L	5.591	24.47	28.05	7.677	158 / 72
C 51 3_S3 M3L	142	621.5	712.5	195	
C 51 2_S4 M4S	7.598	27.22	31.52	10.157	216 / 98
C 51 3_S4 M4S	193	691.5	800.5	258	
C 51 2_S4 M4L	7.598	28.72	33.01	10.157	257 / 117
C 51 3_S4 M4L	193	729.5	838.5	258	
C 51 2_S4 M4LC	7.598	30.10	34.00	10.157	275 / 125
C 51 3_S4 M4LC	193	764.5	863.5	258	
C 51 4_S1 M1S	4.252	22.24	24.72	5.433	119 / 54
	108	565	628	138	
C 51 4_S1 M1L	4.252	23.19	25.59	5.433	121 / 55
	108	589	650	138	
C 51 4_S2 M2S	4.685	24.33	27.09	6.142	132 / 60
	119	618	688	156	
C 51 4_S3 M3S	5.591	26.02	29.80	7.677	150 / 68
	142	661	757	195	
C 51 4_S3 M3L	5.591	27.28	30.87	7.677	165 / 75
	142	693	784	195	

Dimensions are $\frac{\text{inch}}{\text{mm}}$



Gearcase

	A	AC	AD	AH	D	E	H	OA
C 51 2, C 51 3, C 51 4	7.283 185	5.512 140	4.724 120	3.917 99.5	5.984 152	4.724 120	M10x15 [mm]	10.827 275

Output shaft (Inch series)

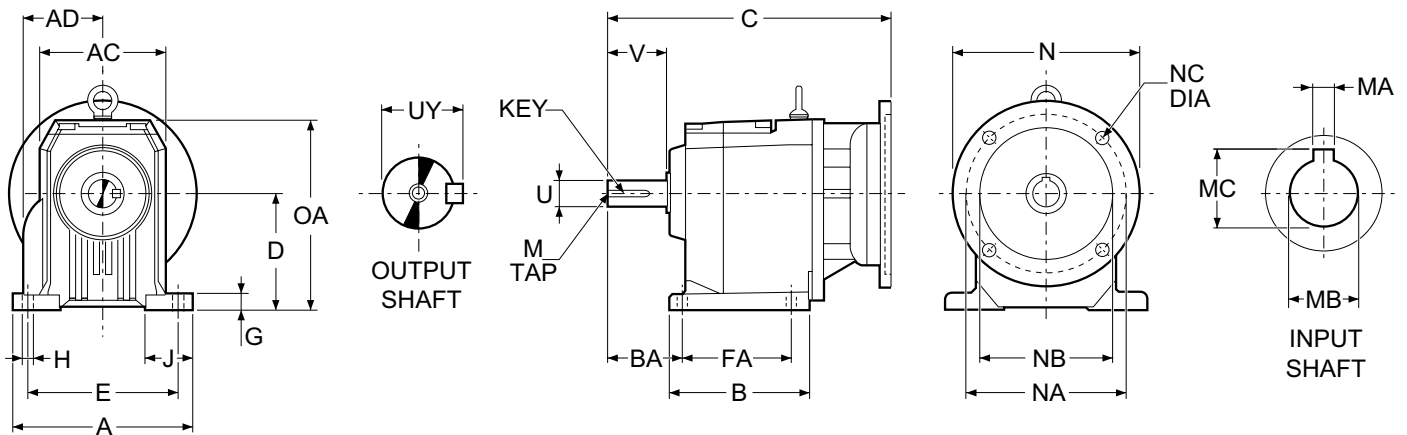
	U	UY	V	Key	M
C 51 2, C 51 3, C 51 4 NU	1.5625 ⁺⁰ / _{-0.0006}	1.730	3.125	3/8 x 3/8 x 2 7/8	M12x28 [mm]

Motor



	AB	C	CB	P	Weight [lbs / kg]
C 51 2_S1 M1S	4.252	19.43	21.91	5.433	110 / 50
C 51 3_S1 M1S	108	493.5	556.5	138	
C 51 2_S1 M1L	4.252	20.37	22.78	5.433	114 / 52
C 51 3_S1 M1L	108	517.5	578.5	138	
C 51 2_S2 M2S	4.685	21.52	24.27	6.142	125 / 57
C 51 3_S2 M2S	119	546.5	616.5	156	
C 51 2_S3 M3S	5.591	23.21	26.99	7.677	143 / 65
C 51 3_S3 M3S	142	589.5	685.5	195	
C 51 2_S3 M3L	5.591	24.47	28.05	7.677	158 / 72
C 51 3_S3 M3L	142	621.5	712.5	195	
C 51 2_S4 M4S	7.598	27.22	31.52	10.157	216 / 98
C 51 3_S4 M4S	193	691.5	800.5	258	
C 51 2_S4 M4L	7.598	28.72	33.01	10.157	257 / 117
C 51 3_S4 M4L	193	729.5	838.5	258	
C 51 2_S4 M4LC	7.598	30.10	34.00	10.157	275 / 125
C 51 3_S4 M4LC	193	764.5	863.5	258	
C 51 4_S1 M1S	4.252	22.24	24.72	5.433	119 / 54
	108	565	628	138	
C 51 4_S1 M1L	4.252	23.19	25.59	5.433	121 / 55
	108	589	650	138	
C 51 4_S2 M2S	4.685	24.33	27.09	6.142	132 / 60
	119	618	688	156	
C 51 4_S3 M3S	5.591	26.02	29.80	7.677	150 / 68
	142	661	757	195	
C 51 4_S3 M3L	5.591	27.28	30.87	7.677	165 / 75
	142	693	784	195	

Dimensions are $\frac{\text{inch}}{\text{mm}}$



Gearcase

	A	AC	AD	B	BA	D	E	FA	G	H	J	OA
C 51 2, C 51 3, C 51 4	10.630 270	7.283 185	4.724 120	7.874 200	4.134 105	6.102 155	8.858 225	6.142 156	0.866 22	0.709 18	2.953 75	10.945 278

Output shaft (Inch series)

	U	UY	V	Key	M
C 51 2, C 51 3, C 51 4 NP	1.5625 ⁺⁰ _{-0.0006}	1.730	3.125	3/8 x 3/8 x 2 7/8	M12x28 [mm]

NEMA Flange



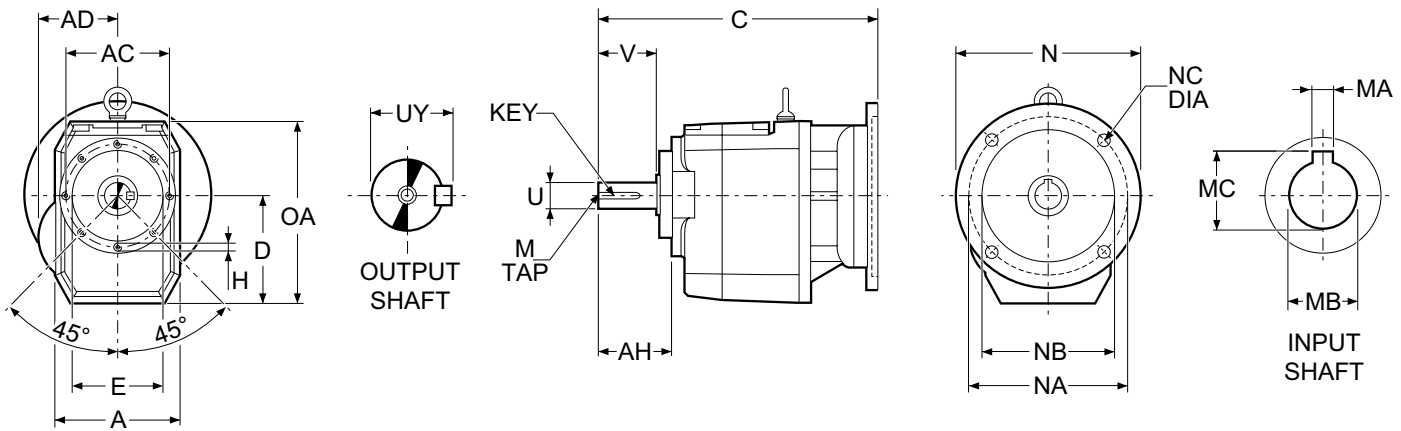
	N	NA	NB	NC	Weight [lbs / kg]
N56C	6.496	5.875	4.500	0.394	104 / 47
N140TC	6.496	5.875	4.500	0.394	108 / 49
N180TC	8.996	7.250	8.500	0.551	117 / 53
N210TC	8.996	7.250	8.500	0.551	119 / 54
N250TC	13.780	7.250	8.500	0.551	128 / 58

Hollow input shaft

	MA	MB	MC
N56C	0.188	0.625	0.710
N140TC	0.188	0.875	0.964
N180TC	0.250	1.125	1.241
N210TC	0.312	1.375	1.518
N250TC	0.375	1.625	1.796

	C				
	N56C	N140TC	N180TC	N210TC	N250TC
C 51 2	15.03 381.8	15.03 381.8	15.56 395.3	16.80 426.8	19.83 503.8
C 51 3	15.03 381.8	15.03 381.8	15.56 395.3	16.80 426.8	19.83 503.8
C 51 4	17.84 453.3	17.85 453.4	18.38 466.8	—	—

Dimensions are $\frac{\text{inch}}{\text{mm}}$



Gearcase

	A	AC	AD	AH	D	E	H	OA
C 51 2, C 51 3, C 51 4	7.283 185	5.512 140	4.724 120	3.917 99.5	5.984 152	4.724 120	M10x15 [mm]	10.827 275

Output shaft (Inch series)

	U	UY	V	Key	M
C 51 2, C 51 3, C 51 4 NU	1.5625 ⁺⁰ _{-0.0006}	1.730	3.125	3/8 x 3/8 x 2 7/8	M12x28 [mm]

NEMA Flange



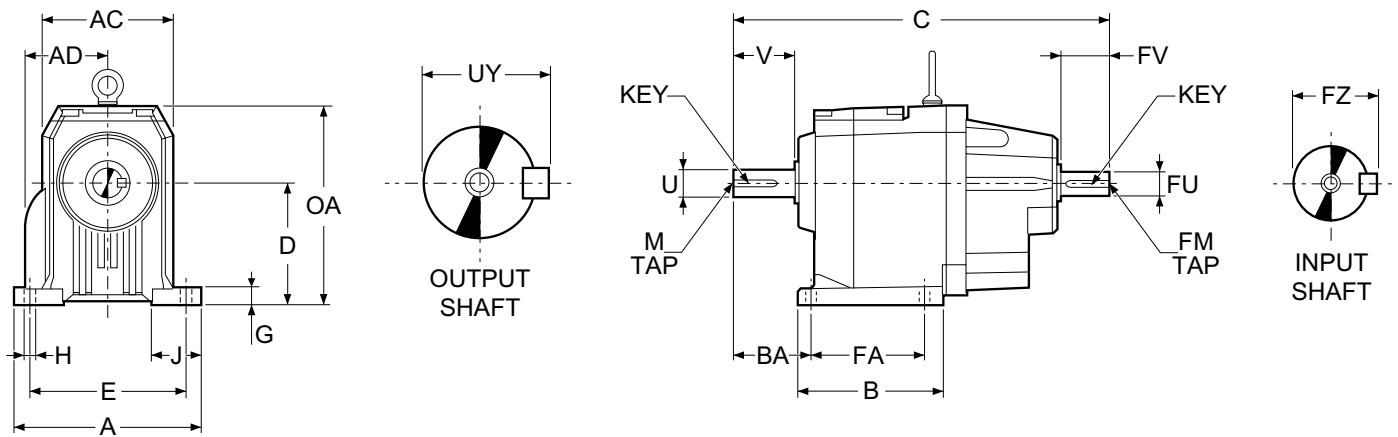
	N	NA	NB	NC	Weight [lbs / kg]
N56C	6.496	5.875	4.500	0.394	104 / 47
N140TC	6.496	5.875	4.500	0.394	108 / 49
N180TC	8.996	7.250	8.500	0.551	117 / 53
N210TC	8.996	7.250	8.500	0.551	119 / 54
N250TC	13.780	7.250	8.500	0.551	128 / 58

Hollow input shaft

	MA	MB	MC
N56C	0.188	0.625	0.710
N140TC	0.188	0.875	0.964
N180TC	0.250	1.125	1.241
N210TC	0.312	1.375	1.518
N250TC	0.375	1.625	1.796

	C				
	N56C	N140TC	N180TC	N210TC	N250TC
C 51 2	15.03 381.8	15.03 381.8	15.56 395.3	16.80 426.8	19.83 503.8
C 51 3	15.03 381.8	15.03 381.8	15.56 395.3	16.80 426.8	19.83 503.8
C 51 4	17.84 453.3	17.85 453.4	18.38 466.8	—	—

Dimensions are $\frac{\text{inch}}{\text{mm}}$



Gearcase

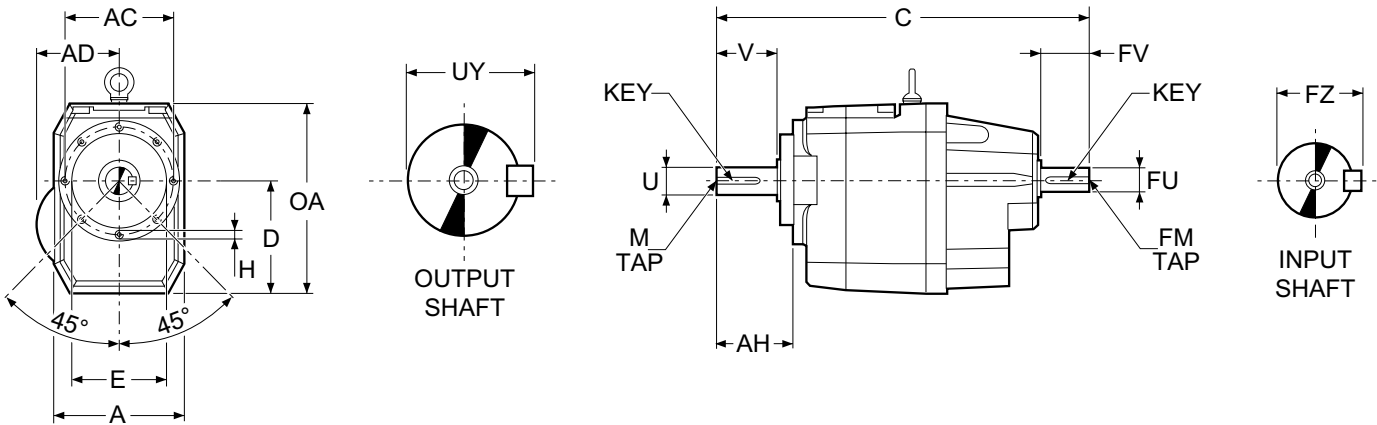
	A	AC	AD	B	BA	C	D	E	FA	G	H	J	OA
C 51 2, C 51 3	10.630	7.283	4.724	7.874	4.134	17.75	6.102	8.858	6.142	0.866	0.709	2.953	10.945
	270	185	120	200	105	450.9	155	225	156	22	18	75	278
C 51 4	10.630	7.283	4.724	7.874	4.134	19.03	6.102	8.858	6.142	0.866	0.709	2.953	10.945
	270	185	120	200	105	483.4	155	225	156	22	18	75	278

Output shaft (Inch series)

	U	UY	V	Key	M
C 51 2, C 51 3, C 51 4 NP	1.5625 ⁺⁰ / _{-0.0006}	1.730	3.125	3/8 x 3/8 x 2 7/8	M12x28 [mm]

Input shaft (Inch series)

	FU	FZ	FV	Key	FM	Weight [lbs / kg]
C 51 2, C 51 3 NHS	1.000 ⁺⁰ / _{-0.0005}	1.110	1.970	1/4 x 1/4 x 1 3/4	M8x19 [mm]	99 / 45
C 51 4 NHS	0.750 ⁺⁰ / _{-0.0005}	0.830	1.570	3/16 x 3/16 x 1 3/8	M6x16 [mm]	106 / 48



Gearcase

	A	AC	AD	AH	C	D	E	H	OA
C 51 2, C 51 3	7.283	5.512	4.724	3.917	17.75	5.984	4.724	M10x15 [mm]	10.827
	185	140	120	99.5	450.9	152	120		275
C 51 4	7.283	5.512	4.724	3.917	19.03	5.984	4.724	M10x15 [mm]	10.827
	185	140	120	99.5	483.4	152	120		275

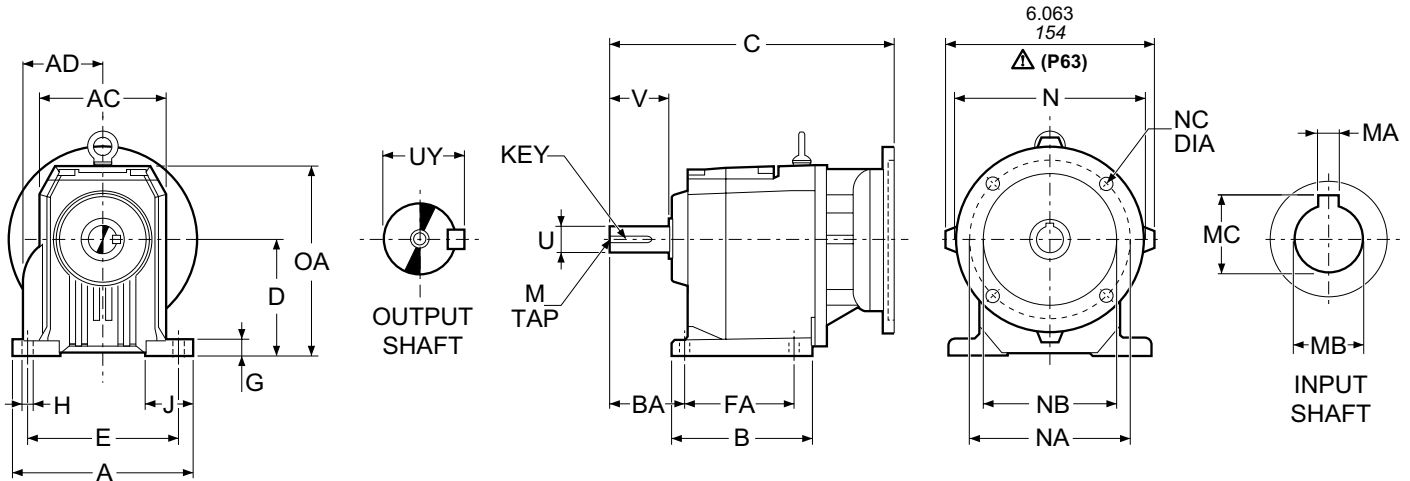
Output shaft (Inch series)

	U	UY	V	Key	M
C 51 2, C 51 3, C 51 4	NU	1.5625 ⁺⁰ / _{-0.0006}	1.730	3.125	3/8 x 3/8 x 2 7/8

Input shaft (Inch series)

	FU	FZ	FV	Key	FM	Weight [lbs / kg]	
C 51 2, C 51 3	NHS	1.000 ⁺⁰ / _{-0.0005}	1.110	1.970	1/4 x 1/4 x 1 3/4	M8x19 [mm]	99 / 45
C 51 4	NHS	0.750 ⁺⁰ / _{-0.0005}	0.830	1.570	3/16 x 3/16 x 1 3/8	M6x16 [mm]	106 / 48





Gearcase

	A	AC	AD	B	BA	D	E	FA	G	H	J	OA
C 51 2, C 51 3, C 51 4	10.630 270	7.283 185	4.724 120	7.874 200	4.134 105	6.102 155	8.858 225	6.142 156	0.866 22	0.709 18	2.953 75	10.945 278

Output shaft (Inch series)

	U	UY	V	Key	M
C 51 2, C 51 3, C 51 4 NP	1.5625 ⁺⁰ _{-0.0006}	1.730	3.125	3/8 x 3/8 x 2 7/8	M12x28 [mm]

IEC Flange



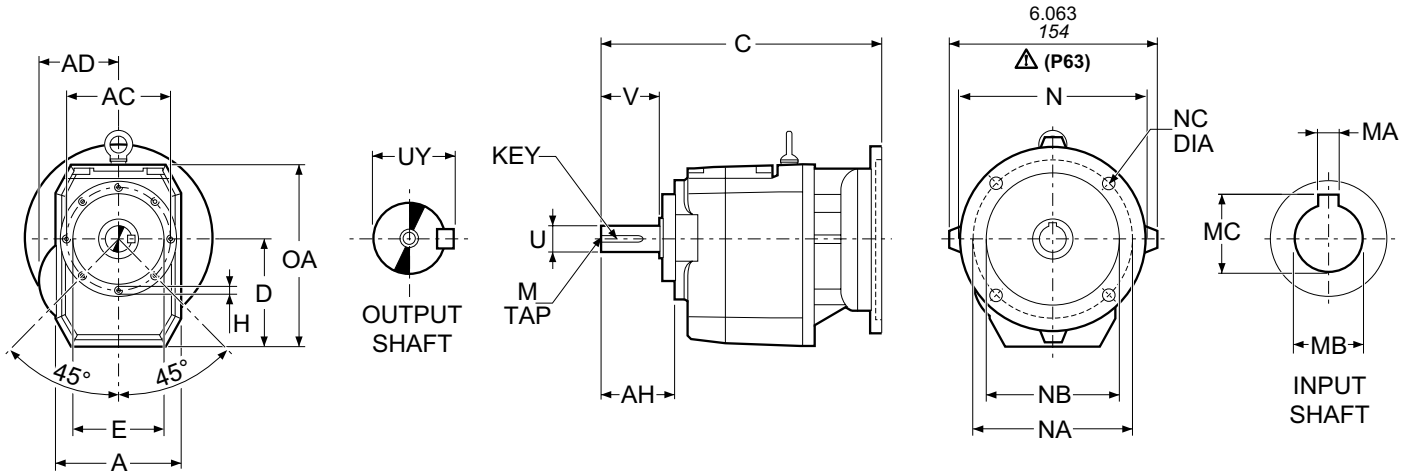
	N	NA	NB	NC	Weight [lbs / kg]
P63	140	115	95	M8x19	103 / 47
P71	160	130	110	M8x16	103 / 47
P80, P90	200	165	130	M10x12	108 / 49
P100, P112	250	215	180	M12x16	117 / 53
P132	300	265	230	14	119 / 54
P160, P180	350	300	250	18	128 / 58

Hollow input shaft

	MA	MB	MC
P63	4	11	12.8
P71	5	14	16.3
P80	6	19	21.8
P90	8	24	27.3
P100, P112	8	28	31.3
P132	10	38	41.3
P160	12	42	45.3
P180	14	48	51.8

	C				
	P63 P71	P80 P90	P100 P112	P132	P160 P180
C 51 2, C 51 3	14.27 362.5	15.04 382	15.43 392	16.87 428.5	18.86 479
C 51 4	17.09 434	17.85 453.5	18.25 463.5	—	—

Dimensions are $\frac{\text{inch}}{\text{mm}}$



Gearcase

	A	AC	AD	AH	D	E	H	OA
C 51 2, C 51 3, C 51 4	7.283 185	5.512 140	4.724 120	3.917 99.5	5.984 152	4.724 120	M10x15 [mm]	10.827 275

Output shaft (Inch series)

	U	UY	V	Key	M
C 51 2, C 51 3, C 51 4 NU	1.5625 ⁺⁰ / _{-0.0006}	1.730	3.125	3/8 x 3/8 x 2 7/8	M12x28 [mm]

IEC Flange

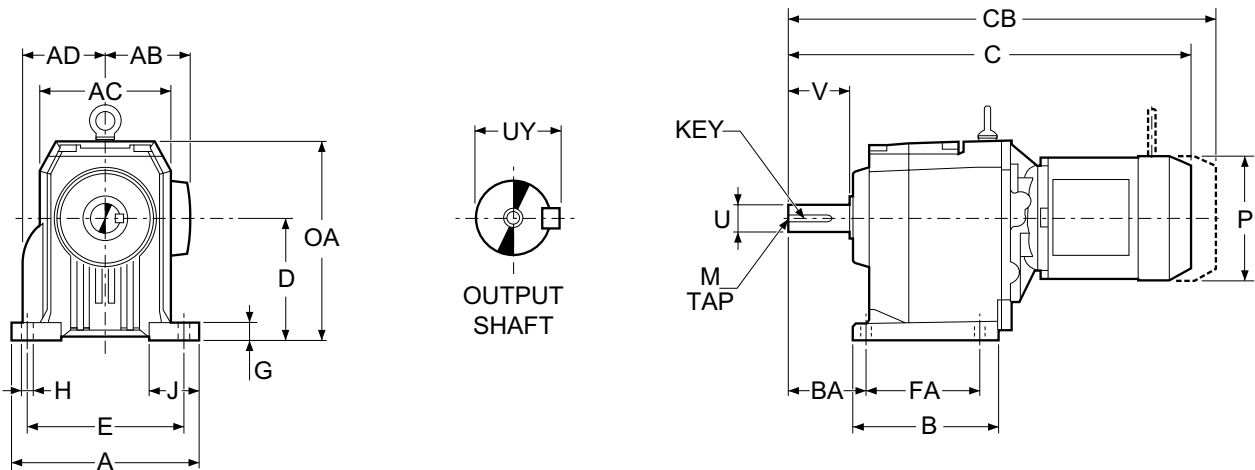
	N	NA	NB	NC	Weight [lbs / kg]
P63	140	115	95	M8x19	103 / 47
P71	160	130	110	M8x16	103 / 47
P80, P90	200	165	130	M10x12	108 / 49
P100, P112	250	215	180	M12x16	117 / 53
P132	300	265	230	14	119 / 54
P160, P180	350	300	250	18	128 / 58

Hollow input shaft

	MA	MB	MC
P63	4	11	12.8
P71	5	14	16.3
P80	6	19	21.8
P90	8	24	27.3
P100, P112	8	28	31.3
P132	10	38	41.3
P160	12	42	45.3
P180	14	48	51.8

	C				
	P63 P71	P80 P90	P100 P112	P132	P160 P180
C 51 2, C 51 3	14.27 362.5	15.04 382	15.43 392	16.87 428.5	18.86 479
C 51 4	17.09 434	17.85 453.5	18.25 463.5	—	—

Dimensions are $\frac{\text{inch}}{\text{mm}}$



Gearcase

	A	AC	AD	B	BA	D	E	FA	G	H	J	OA
C 61 2, C 61 3, C 61 4	11.811	8.268	5.236	9.134	4.359	7.677	9.843	7.087	0.984	0.709	3.150	12.441
	300	210	133	232	111	195	250	180	25	18	80	316

Output shaft (Inch series)

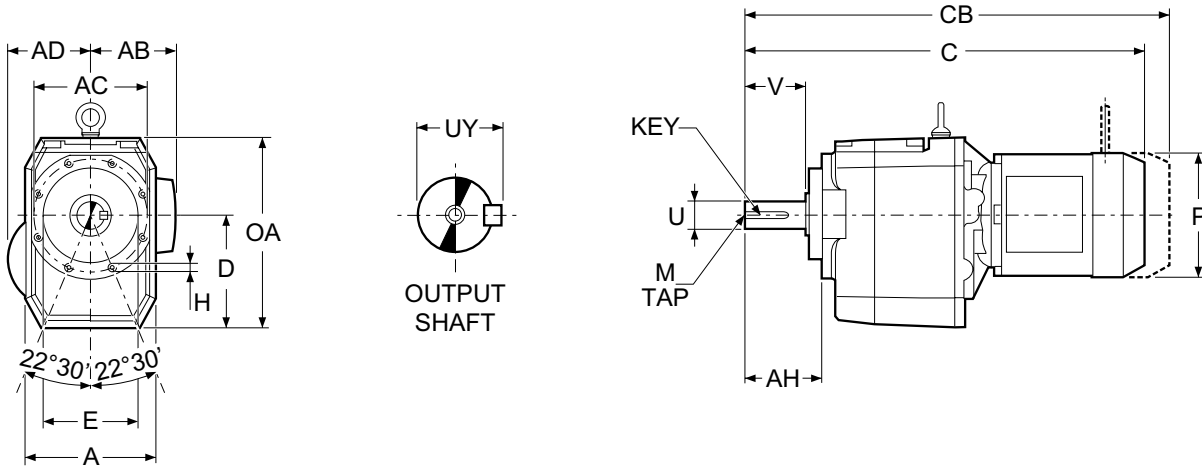
	U	UY	V	Key	M
C 61 2, C 61 3, C 61 4 NP	2.000 ⁺⁰ _{-0.0007}	2.220	3.375	1/2 x 1/2 x 3 5/32	M16x36 [mm]

Motor



	AB	C	CB	P	Weight [lbs / kg]
C 61 2_S2 M2S	4.685	23.04	25.80	6.142	143 / 65
C 61 3_S2 M2S	119	585.2	655.2	156	
C 61 2_S3 M3S	5.591	24.73	28.51	7.677	163 / 74
C 61 3_S3 M3S	142	628.2	724.2	195	
C 61 2_S3 M3L	5.591	25.99	29.58	7.677	178 / 81
C 61 3_S3 M3L	142	660.2	751.2	195	
C 61 2_S4 M4S	7.598	28.75	33.04	10.157	235 / 107
C 61 3_S4 M4S	193	730.2	839.2	258	
C 61 2_S4 M4L	7.598	30.25	34.54	10.157	277 / 126
C 61 3_S4 M4L	193	768.2	877.2	258	
C 61 2_S4 M4LC	7.598	31.62	35.52	10.157	295 / 134
C 61 3_S4 M4LC	193	803.2	902.2	258	
C 61 2_S5 M5S	9.646	33.65	39.16	12.205	365 / 166
C 61 3_S5 M5S	245	854.7	994.7	310	
C 61 2_S5 M5L	9.646	35.38	40.90	12.205	400 / 182
C 61 3_S5 M5L	245	898.7	1038.7	310	
C 61 4_S1 M1S	4.252	23.73	26.21	5.433	158 / 72
	108	602.7	665.7	138	
C 61 4_S1 M1L	4.252	24.67	27.08	5.433	163 / 74
	108	626.7	687.7	138	
C 61 4_S2 M2S	4.685	25.82	28.57	6.142	172 / 78
	119	655.7	725.7	156	
C 61 4_S3 M3S	5.591	27.51	31.29	7.677	191 / 87
	142	698.7	794.7	195	
C 61 4_S3 M3L	5.591	28.77	32.35	7.677	207 / 94
	142	730.7	821.7	195	

 Dimensions are $\frac{\text{inch}}{\text{mm}}$



Gearcase

	A	AC	AD	AH	D	E	H	OA
C 61 2, C 61 3, C 61 4	8.268 210	7.087 180	5.236 133	4.359 111	7.028 178.5	5.669 144	M12x18 [mm]	11.791 299.5

Output shaft (Inch series)

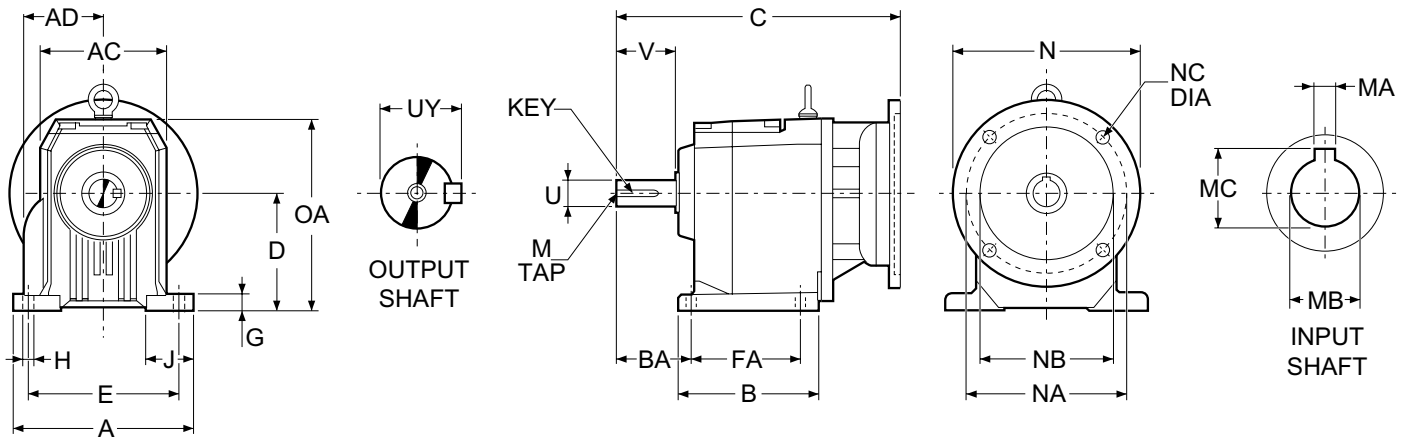
	U	UY	V	Key	M
C 61 2, C 61 3, C 61 4 NU	2.000 ⁺⁰ _{-0.0007}	2.220	3.375	1/2 x 1/2 x 3 5/32	M16x36 [mm]

Motor



	AB	C	CB	P	Weight [lbs / kg]
C 61 2_S2 M2S	4.685	23.04	25.80	6.142	143 / 65
C 61 3_S2 M2S	119	585.2	655.2	156	
C 61 2_S3 M3S	5.591	24.73	28.51	7.677	163 / 74
C 61 3_S3 M3S	142	628.2	724.2	195	
C 61 2_S3 M3L	5.591	25.99	29.58	7.677	178 / 81
C 61 3_S3 M3L	142	660.2	751.2	195	
C 61 2_S4 M4S	7.598	28.75	33.04	10.157	235 / 107
C 61 3_S4 M4S	193	730.2	839.2	258	
C 61 2_S4 M4L	7.598	30.25	34.54	10.157	277 / 126
C 61 3_S4 M4L	193	768.2	877.2	258	
C 61 2_S4 M4LC	7.598	31.62	35.52	10.157	295 / 134
C 61 3_S4 M4LC	193	803.2	902.2	258	
C 61 2_S5 M5S	9.646	33.65	39.16	12.205	365 / 166
C 61 3_S5 M5S	245	854.7	994.7	310	
C 61 2_S5 M5L	9.646	35.38	40.90	12.205	400 / 182
C 61 3_S5 M5L	245	898.7	1038.7	310	
C 61 4_S1 M1S	4.252	23.73	26.21	5.433	158 / 72
	108	602.7	665.7	138	
C 61 4_S1 M1L	4.252	24.67	27.08	5.433	163 / 74
	108	626.7	687.7	138	
C 61 4_S2 M2S	4.685	25.82	28.57	6.142	172 / 78
	119	655.7	725.7	156	
C 61 4_S3 M3S	5.591	27.51	31.29	7.677	191 / 87
	142	698.7	794.7	195	
C 61 4_S3 M3L	5.591	28.77	32.35	7.677	207 / 94
	142	730.7	821.7	195	

Dimensions are $\frac{\text{inch}}{\text{mm}}$



Gearcase

	A	AC	AD	B	BA	D	E	FA	G	H	J	OA
C 61 2, C 61 3, C 61 4	11.811 300	8.268 210	5.236 133	9.134 232	4.359 111	7.677 195	9.843 250	7.087 180	0.984 25	0.709 18	3.150 80	12.441 316

Output shaft (Inch series)

	U	UY	V	Key	M
C 61 2, C 61 3, C 61 4 NP	2.000 ⁺⁰ _{-0.0007}	2.220	3.375	1/2 x 1/2 x 3 5/32	M16x36 [mm]

NEMA Flange



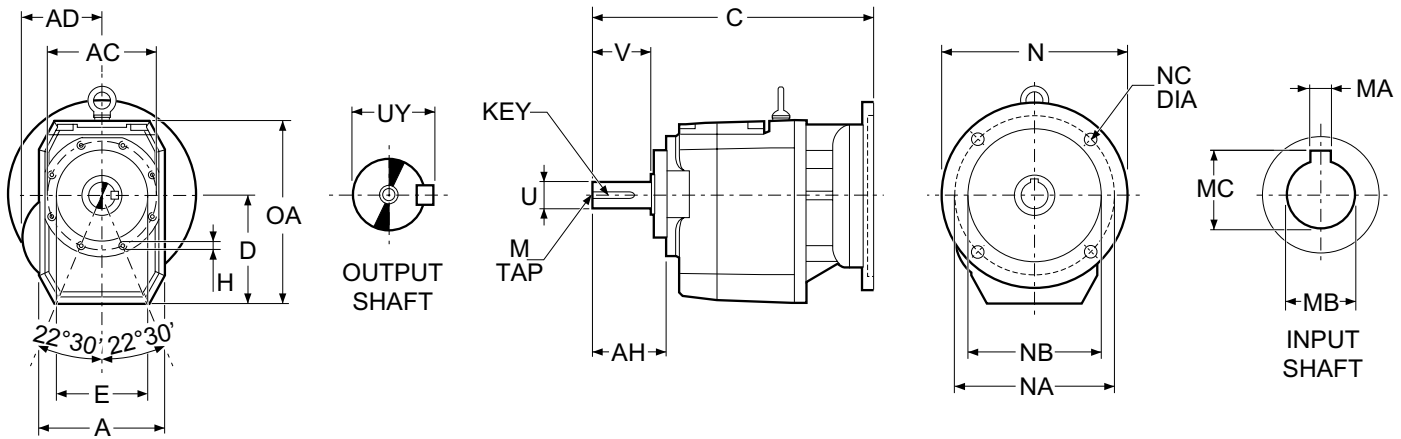
	N	NA	NB	NC	Weight [lbs / kg]
N56C	6.496	5.875	4.500	0.394	139 / 63
N140TC	6.496	5.875	4.500	0.394	148 / 67
N180TC	8.996	7.250	8.500	0.551	157 / 71
N210TC	8.996	7.250	8.500	0.551	150 / 68
N250TC	13.780	7.250	8.500	0.551	161 / 73

Hollow input shaft

	MA	MB	MC
N56C	0.188	0.625	0.710
N140TC	0.188	0.875	0.964
N180TC	0.250	1.125	1.241
N210TC	0.312	1.375	1.518
N250TC	0.375	1.625	1.796

	C				
	N56C	N140TC	N180TC	N210TC	N250TC
C 61 2	17.11 434.7	17.11 434.7	17.65 448.2	18.89 479.7	21.37 542.7
C 61 3	17.11 434.7	17.11 434.7	17.65 448.2	18.89 479.7	21.37 542.7
C 61 4	19.89 505.2	19.89 505.2	20.42 518.7	—	—

Dimensions are $\frac{\text{inch}}{\text{mm}}$



Gearcase

	A	AC	AD	AH	D	E	H	OA
C 61 2, C 61 3, C 61 4	8.268 210	7.087 180	5.236 133	4.359 111	7.028 178.5	5.669 144	M12x18 [mm]	11.791 299.5

Output shaft (Inch series)

	U	UY	V	Key	M
C 61 2, C 61 3, C 61 4 NU	2.000 ⁺⁰ _{-0.0007}	2.220	3.375	1/2 x 1/2 x 3 5/32	M16x36 [mm]

NEMA Flange



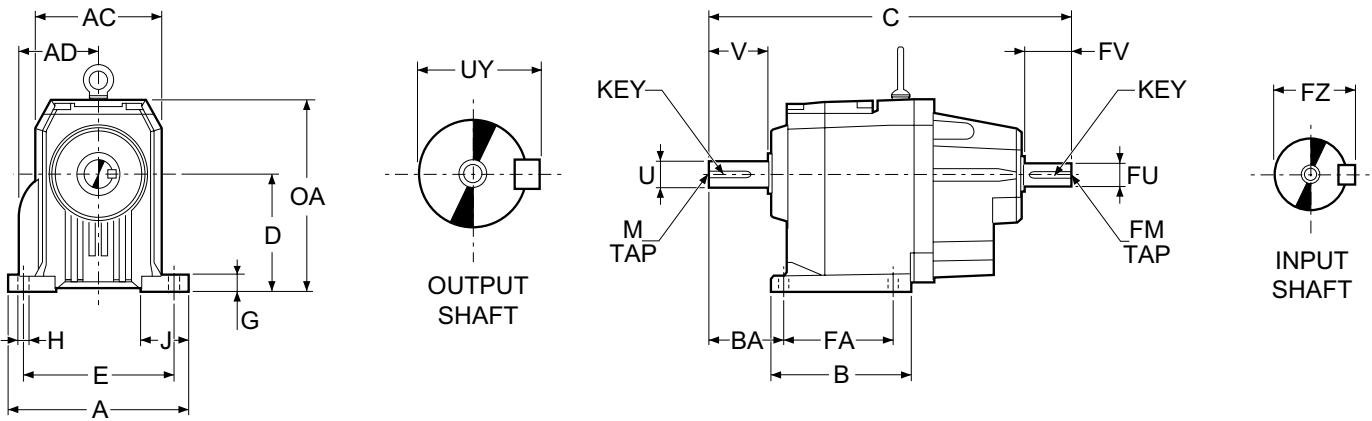
	N	NA	NB	NC	Weight [lbs / kg]
N56C	6.496	5.875	4.500	0.394	139 / 63
N140TC	6.496	5.875	4.500	0.394	148 / 67
N180TC	8.996	7.250	8.500	0.551	157 / 71
N210TC	8.996	7.250	8.500	0.551	150 / 68
N250TC	13.780	7.250	8.500	0.551	161 / 73

Hollow input shaft

	MA	MB	MC
N56C	0.188	0.625	0.710
N140TC	0.188	0.875	0.964
N180TC	0.250	1.125	1.241
N210TC	0.312	1.375	1.518
N250TC	0.375	1.625	1.796

	C				
	N56C	N140TC	N180TC	N210TC	N250TC
C 61 2	17.11 434.7	17.11 434.7	17.65 448.2	18.89 479.7	21.37 542.7
C 61 3	17.11 434.7	17.11 434.7	17.65 448.2	18.89 479.7	21.37 542.7
C 61 4	19.89 505.2	19.89 505.2	20.42 518.7	—	—

Dimensions are $\frac{\text{inch}}{\text{mm}}$



Gearcase

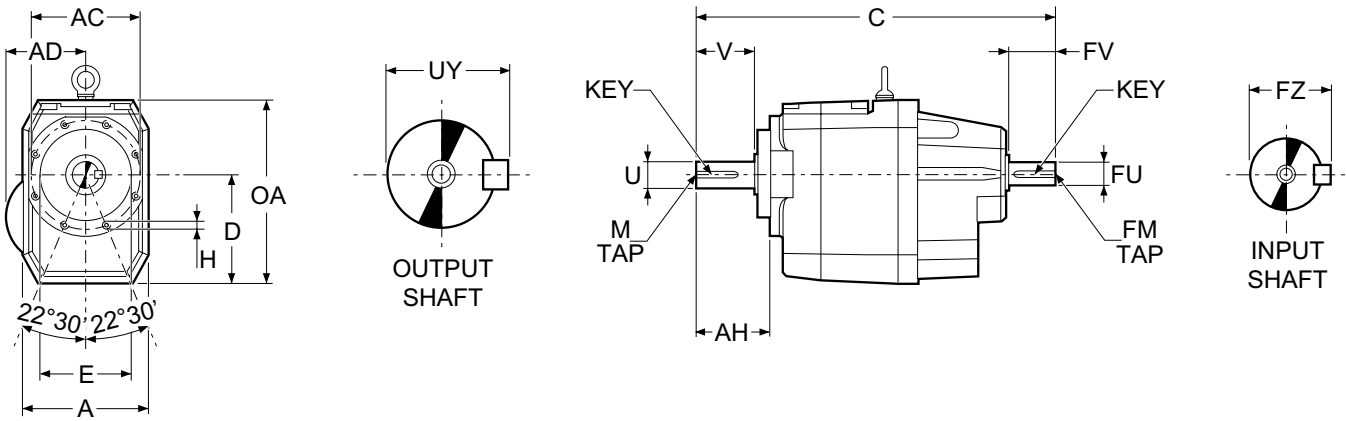
	A	AC	AD	B	BA	C	D	E	FA	G	H	J	OA
C 61 2, C 61 3	11.811	8.268	5.236	9.134	4.359	20.37	7.677	9.843	7.087	0.984	0.709	3.150	12.441
	300	210	133	232	111	517.3	195	250	180	25	18	80	316
C 61 4	11.811	8.268	5.236	9.134	4.359	22.08	7.677	9.843	7.087	0.984	0.709	3.150	12.441
	300	210	133	232	111	560.7	195	250	180	25	18	80	316

Output shaft (Inch series)

	U	UY	V	Key	M
C 61 2, C 61 3, C 61 4 NP	2.000 ⁺⁰ / _{-0.0007}	2.220	3.375	1/2 x 1/2 x 3 5/32	M16x36 [mm]

Input shaft (Inch series)

	FU	FZ	FV	Key	FM	Weight [lbs / kg]
C 61 2, C 61 3 NHS	1.125 ⁺⁰ / _{-0.0005}	1.230	2.360	1/4 x 1/4 x 2 5/32	M10x22 [mm]	145 / 66
C 61 4 NHS	1.000 ⁺⁰ / _{-0.0005}	1.110	1.970	1/4 x 1/4 x 1 3/4	M8x19 [mm]	158 / 72



Gearcase

	A	AC	AD	AH	C	D	E	H	OA
C 61 2, C 61 3	8.268	7.087	5.236	4.359	20.37	7.028	5.669	<i>M12x18 [mm]</i>	11.791
	210	180	133	111	517.3	178.5	144		299.5
C 61 4	8.268	7.087	5.236	4.359	22.08	7.028	5.669	<i>M12x18 [mm]</i>	11.791
	210	180	133	111	560.7	178.5	144		299.5

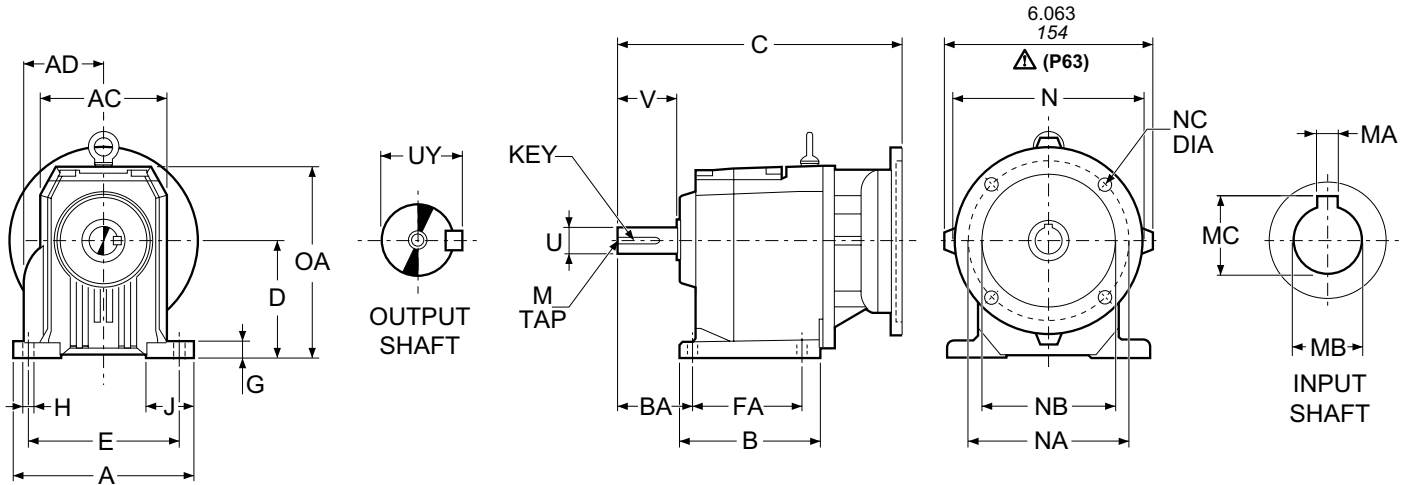
Output shaft (Inch series)

Model	U	UY	V	Key	M
C 61 2, C 61 3, C 61 4	2.000 ⁺⁰ / _{-0.0007}	2.220	3.375	1/2 x 1/2 x 3 5/32	<i>M16x36 [mm]</i>

Input shaft (Inch series)

	FU	FZ	FV	Key	FM	Weight [lbs / kg]
C 61 2, C 61 3	1.125 ⁺⁰ / _{-0.0005}	1.230	2.360	1/4 x 1/4 x 2 5/32	<i>M10x22 [mm]</i>	145 / 66
C 61 4	1.000 ⁺⁰ / _{-0.0005}	1.110	1.970	1/4 x 1/4 x 1 3/4	<i>M8x19 [mm]</i>	158 / 72





Gearcase

	A	AC	AD	B	BA	D	E	FA	G	H	J	OA
C 61 2, C 61 3, C 61 4	11.811 300	8.268 210	5.236 133	9.134 232	4.359 111	7.677 195	9.843 250	7.087 180	0.984 25	0.709 18	3.150 80	12.441 316

Output shaft (Inch series)

	U	UY	V	Key	M
C 61 2, C 61 3, C 61 4 NP	2.000 ⁺⁰ _{-0.0007}	2.220	3.375	1/2 x 1/2 x 3 5/32	M16x36 [mm]

IEC Flange



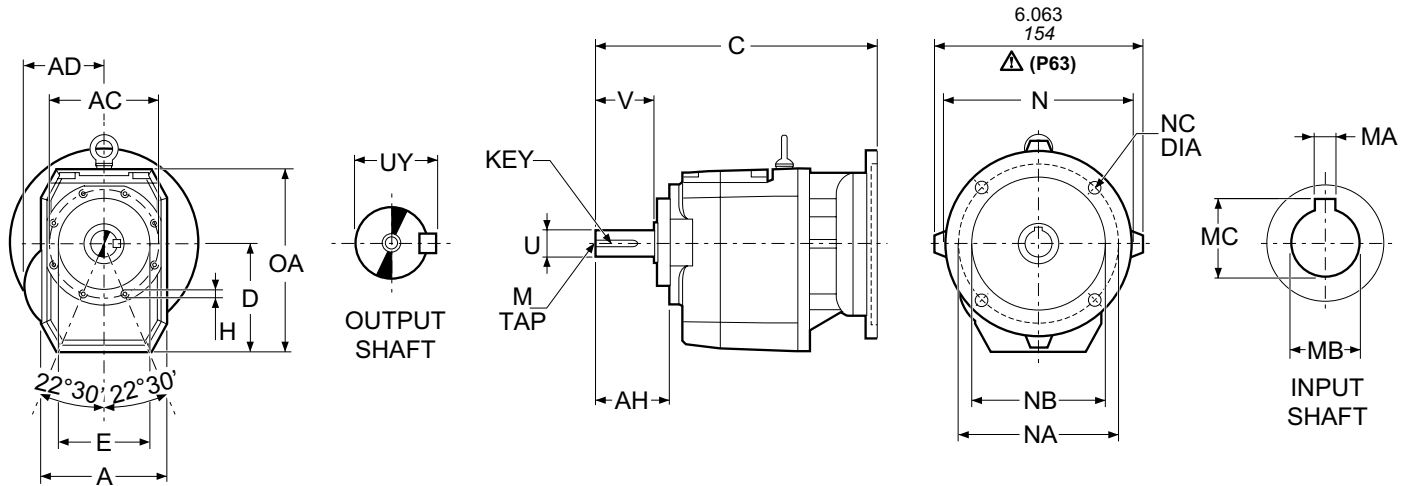
	N	NA	NB	NC	Weight [lbs / kg]
P63	140	115	95	M8x19	134 / 61
P71	160	130	110	M8x16	139 / 63
P80, P90	200	165	130	M10x12	147 / 67
P100, P112	250	215	180	M12x16	156 / 71
P132	300	265	230	14	150 / 68
P160, P180	350	300	250	18	161 / 73

Hollow input shaft

	MA	MB	MC
P63	4	11	12.8
P71	5	14	16.3
P80	6	19	21.8
P90	8	24	27.3
P100, P112	8	28	31.3
P132	10	38	41.3
P160	12	42	45.3
P180	14	48	51.8

	C					
	P63	P71	P80 P90	P100 P112	P132	P160 P180
C 61 2, C 61 3	15.77 400.5	15.77 400.5	16.54 420	16.89 429	18.37 466.5	20.35 517
C 61 4	18.54 471	18.66 474	19.31 490.5	19.71 500.5	—	—

Dimensions are $\frac{\text{inch}}{\text{mm}}$



Gearcase

	A	AC	AD	AH	D	E	H	OA
C 61 2, C 61 3, C 61 4	8.268 210	7.087 180	5.236 133	4.359 111	7.028 178.5	5.669 144	M12x18 [mm]	11.791 299.5

Output shaft (Inch series)

	U	UY	V	Key	M
C 61 2, C 61 3, C 61 4 NU	2.000 ⁺⁰ _{-0.0007}	2.220	3.375	1/2 x 1/2 x 3 5/32	M16x36 [mm]

IEC Flange

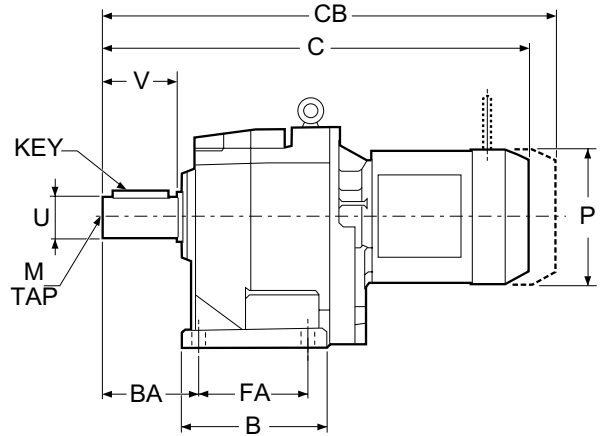
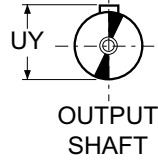
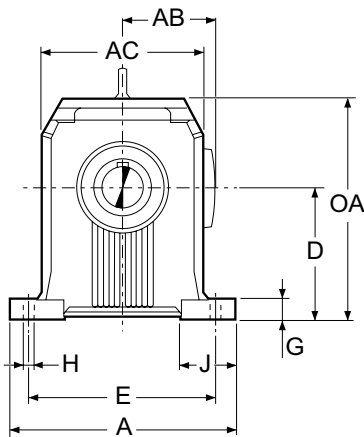
	N	NA	NB	NC	Weight [lbs / kg]
P63	140	115	95	M8x19	134 / 61
P71	160	130	110	M8x16	139 / 63
P80, P90	200	165	130	M10x12	147 / 67
P100, P112	250	215	180	M12x16	156 / 71
P132	300	265	230	14	150 / 68
P160, P180	350	300	250	18	161 / 73

Hollow input shaft

	MA	MB	MC
P63	4	11	12.8
P71	5	14	16.3
P80	6	19	21.8
P90	8	24	27.3
P100, P112	8	28	31.3
P132	10	38	41.3
P160	12	42	45.3
P180	14	48	51.8

	C					
	P63	P71	P80 P90	P100 P112	P132	P160 P180
C 61 2, C 61 3	15.77 400.5	15.77 400.5	16.54 420	16.89 429	18.37 466.5	20.35 517
C 61 4	18.54 471	18.66 474	19.31 490.5	19.71 500.5	—	—

Dimensions are $\frac{\text{inch}}{\text{mm}}$



Gearcase

	A	AC	B	BA	D	E	FA	G	H	J	OA
C 70 2, C 70 3, C 70 4	13.780	10.315	8.740	5.709	8.268	11.811	6.496	1.181	0.866	3.346	13.740
	350	262	222	145	210	300	165	30	22	85	349

Output shaft

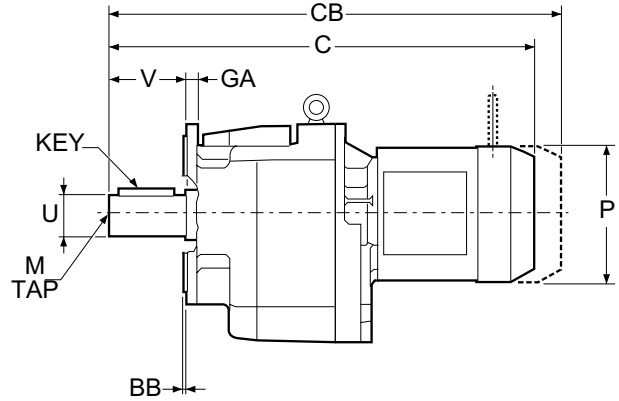
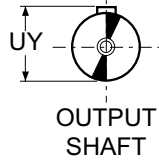
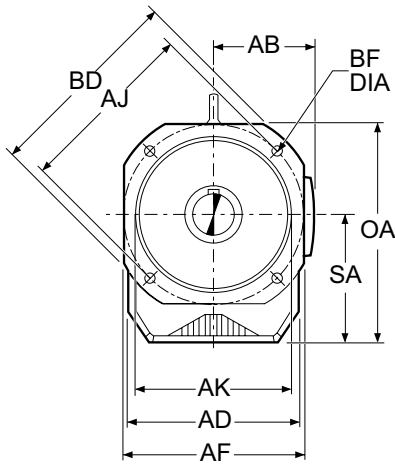
	U	UY	V	Key	M
C 70 2, C 70 3, C 70 4 P	2.362 60	⁺⁰ _{-0.0007} ⁺⁰ _{-0.019} 64	2.520 64	4.724 120	18x11x90 M20x42 [mm]

Motor



	AB	C	CB	P	Weight [lbs / kg]
C 70 2_S2 M2S	4.685	25.10	27.85	6.142	202 / 92
C 70 3_S2 M2S	119	637.5	707.5	156	
C 70 2_S3 M3S	5.591	26.79	30.57	7.677	222 / 101
C 70 3_S3 M3S	142	680.5	776.5	195	
C 70 2_S3 M3L	5.591	28.05	31.63	7.677	238 / 108
C 70 3_S3 M3L	142	712.5	803.5	195	
C 70 2_S4 M4S	7.598	30.81	35.10	10.157	295 / 134
C 70 3_S4 M4S	193	782.5	891.5	258	
C 70 2_S4 M4L	7.598	32.30	36.59	10.157	337 / 153
C 70 3_S4 M4L	193	820.5	929.5	258	
C 70 2_S4 M4LC	7.598	33.68	37.58	10.157	354 / 161
C 70 3_S4 M4LC	193	855.5	954.5	258	
C 70 2_S5 M5S	9.646	35.71	41.22	12.205	425 / 193
C 70 3_S5 M5S	245	907	1047	310	
C 70 2_S5 M5L	9.646	37.44	42.95	12.205	460 / 209
C 70 3_S5 M5L	245	951	1091	310	
C 70 4_S1 M1S	4.252	25.02	27.50	5.433	198 / 90
	108	635.5	698.5	138	
C 70 4_S1 M1L	4.252	25.97	28.37	5.433	202 / 91
	108	659.5	720.5	138	
C 70 4_S2 M2S	4.685	27.11	29.86	6.142	211 / 96
	119	688.5	758.5	156	
C 70 4_S3 M3S	5.591	28.80	32.58	7.677	229 / 104
	142	731.5	827.5	195	
C 70 4_S3 M3L	5.591	30.06	33.64	7.677	244 / 111
	142	763.5	854.5	195	
C 70 4_S4 M4S	7.598	32.82	37.11	10.157	301 / 137
	193	833.5	942.5	258	
C 70 4_S4 M4L	7.598	34.31	38.60	10.157	343 / 156
	193	871.5	980.5	258	

Dimensions are $\frac{\text{inch}}{\text{mm}}$



Gearcase

	AD	SA	OA
C 70 2, C 70 3, C 70 4	10.315 262	8.189 208	14.094 358

Flange

AF	AJ	AK		BB	BD	BF	GA
11.811 300	11.811 300	9.843 250	-0.0020 -0.0038 -0.050 -0.096	0.197 5	13.780 350	0.709 18	0.669 17

Output shaft

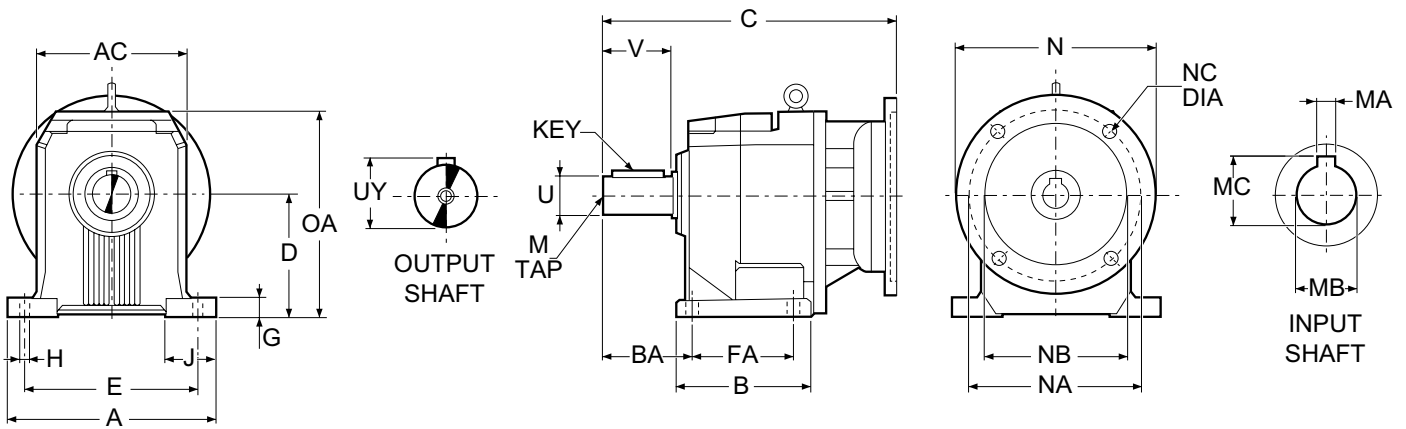
	U		UY	V	Key	M
C 70 2, C 70 3, C 70 4	2.362 60	+0 -0.0007 +0 -0.019	2.520 64	4.724 120	18x11x90	M20x42 [mm]

Motor



	AB	C	CB	P	Weight [lbs / kg]
C 70 2_S2 M2S	4.685 119	25.10 637.5	27.85 707.5	6.142 156	202 / 92
C 70 3_S2 M2S	5.591 142	26.79 680.5	30.57 776.5	7.677 195	222 / 101
C 70 2_S3 M3S	5.591 142	28.05 712.5	31.63 803.5	7.677 195	238 / 108
C 70 3_S3 M3S	7.598 193	30.81 782.5	35.10 891.5	10.157 258	295 / 134
C 70 2_S4 M4S	7.598 193	32.30 820.5	36.59 929.5	10.157 258	337 / 153
C 70 3_S4 M4S	7.598 193	33.68 855.5	37.58 954.5	10.157 258	354 / 161
C 70 2_S4 M4LC	9.646 245	35.71 907	41.22 1047	12.205 310	425 / 193
C 70 3_S4 M4LC	9.646 245	37.44 951	42.95 1091	12.205 310	460 / 209
C 70 2_S5 M5S	4.252 108	25.02 635.5	27.50 698.5	5.433 138	198 / 90
C 70 3_S5 M5S	4.252 108	25.97 659.5	28.37 720.5	5.433 138	202 / 91
C 70 4_S1 M1S	4.685 119	27.11 688.5	29.86 758.5	6.142 156	211 / 96
C 70 3_S1 M1L	5.591 142	28.80 731.5	32.58 827.5	7.677 195	229 / 104
C 70 4_S2 M2S	5.591 142	30.06 763.5	33.64 854.5	7.677 195	244 / 111
C 70 3_S2 M2L	7.598 193	32.82 833.5	37.11 942.5	10.157 258	301 / 137
C 70 4_S3 M3S	7.598 193	34.31 871.5	38.60 980.5	10.157 258	343 / 156

Dimensions are $\frac{\text{inch}}{\text{mm}}$



Gearcase

	A	AC	B	BA	D	E	FA	G	H	J	OA
C 70 2, C 70 3, C 70 4	13.780	10.315	8.740	5.709	8.268	11.811	6.496	1.181	0.866	3.346	13.740
	350	262	222	145	210	300	165	30	22	85	349

Output shaft

	U	UY	V	Key	M
C 70 2, C 70 3, C 70 4 P	2.362 60	⁺⁰ -0.0007 2.520 ⁺⁰ -0.019 64	4.724 120	18x11x90	M20x42 [mm]

NEMA Flange



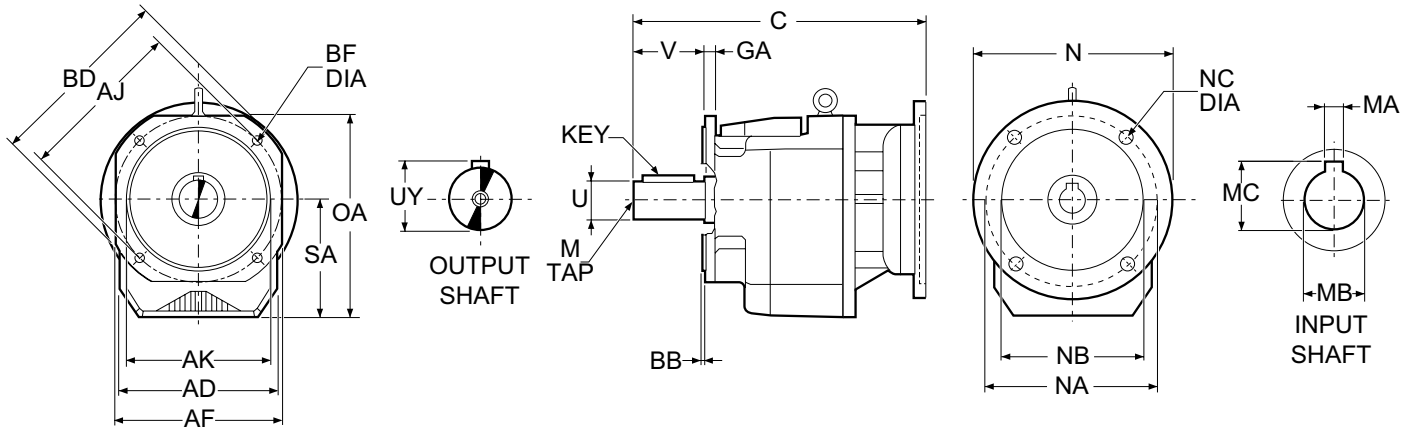
	N	NA	NB	NC	Weight [lbs / kg]
N56C	6.496	5.875	4.500	0.394	201 / 91
N140TC	6.496	5.875	4.500	0.394	203 / 92
N180TC	8.996	7.250	8.500	0.551	212 / 96
N210TC	8.996	7.250	8.500	0.551	216 / 98
N250TC	13.780	7.250	8.500	0.551	236 / 107
N280TC	13.780	9.000	10.500	0.551	236 / 107

Hollow input shaft

	MA	MB	MC
N56C	0.188	0.625	0.710
N140TC	0.188	0.875	0.964
N180TC	0.250	1.125	1.241
N210TC	0.312	1.375	1.518
N250TC	0.375	1.625	1.796
N280TC	0.500	1.875	2.102

	C					
	N56C	N140TC	N180TC	N210TC	N250TC	N280TC
C 70 2	18.64 473.5	18.64 473.5	19.17 487	20.63 524	23.62 600	23.82 605
C 70 3	18.64 473.5	18.64 473.5	19.17 487	20.63 524	23.62 600	23.82 605
C 70 4	20.65 524.5	20.65 524.5	21.18 538	22.64 575	—	—

Dimensions are $\frac{\text{inch}}{\text{mm}}$



Gearcase

	AD	SA	OA
C 70 2, C 70 3, C 70 4	10.315	8.189	14.094
	262	208	358

Flange

AF	AJ	AK		BB	BD	BF	GA
11.811	11.811	9.843	-0.0020 -0.0038	0.197	13.780	0.709	0.669
300	300	250	-0.050 -0.096	5	350	18	17

Output shaft

	U	UY	V	Key	M
C 70 2, C 70 3, C 70 4 F	2.362 ⁺⁰ _{-0.0007}	2.520	4.724	18x11x90	M20x42 [mm]
	60 ⁺⁰ _{-0.019}	64	120		

NEMA Flange



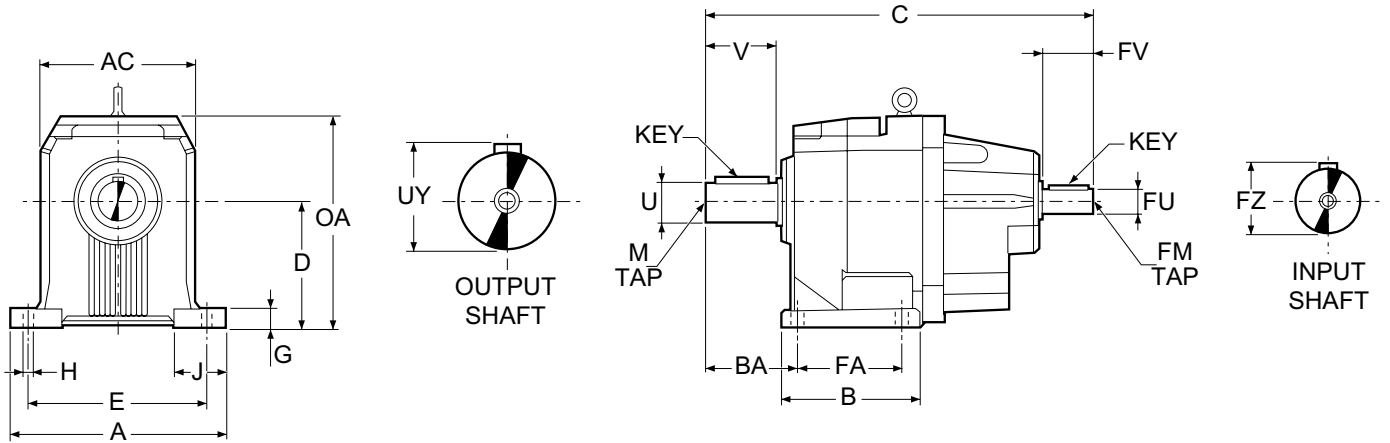
	N	NA	NB	NC	Weight [lbs / kg]
N56C	6.496	5.875	4.500	0.394	201 / 91
N140TC	6.496	5.875	4.500	0.394	203 / 92
N180TC	8.996	7.250	8.500	0.551	212 / 96
N210TC	8.996	7.250	8.500	0.551	216 / 98
N250TC	13.780	7.250	8.500	0.551	236 / 107
N280TC	13.780	9.000	10.500	0.551	236 / 107

Hollow input shaft

	MA	MB	MC
N56C	0.188	0.625	0.710
N140TC	0.188	0.875	0.964
N180TC	0.250	1.125	1.241
N210TC	0.312	1.375	1.518
N250TC	0.375	1.625	1.796
N280TC	0.500	1.875	2.102

	C					
	N56C	N140TC	N180TC	N210TC	N250TC	N280TC
C 70 2	18.64	18.64	19.17	20.63	23.62	23.82
	473.5	473.5	487	524	600	605
C 70 3	18.64	18.64	19.17	20.63	23.62	23.82
	473.5	473.5	487	524	600	605
C 70 4	20.65	20.65	21.18	22.64	—	—
	524.5	524.5	538	575		

Dimensions are $\frac{\text{inch}}{\text{mm}}$



Gearcase

	A	AC	B	BA	C	D	E	FA	G	H	J	OA
C 70 2, C 70 3	13.780	10.315	8.740	5.709	25.89	8.268	11.811	6.496	1.181	0.866	3.346	13.740
	350	262	222	145	657.5	210	300	165	30	22	85	349
C 70 4	13.780	10.315	8.740	5.709	23.37	8.268	11.811	6.496	1.181	0.866	3.346	13.740
	350	262	222	145	593.5	210	300	165	30	22	85	349

Output shaft

	U	UY	V	Key	M
C 70 2, C 70 3, C 70 4	2.362	2.520	4.724	18x11x90	M20x42 [mm]
	60	64	120		

Input shaft (Optional metric series / Inch series)

	FU	FZ	FV	Key	FM	Weight [lbs / kg]
C 70 2, C 70 3	1.654	1.772	4.331	12x8x90	M12x28 [mm]	238 / 106
	42	45	110			
C 70 4	1.000	1.110	1.970	1/4 x 1/4 x 1 3/4	M8x19 [mm]	207 / 94